

# **PARTS LIST**

**WESTERBEKE 40**

**Marine Diesel Engine**

**WESTERBEKE WPDS**

**Marine Diesel Generators**

**Publication # 13765**

**Edition Seven**

**April 1986**



# **PARTS LIST**

**WESTERBEKE 40**

**Marine Diesel Engine**

**WESTERBEKE WPDS**

**Marine Diesel Generators**

**Publication # 13765**

**Edition Seven**

**April 1986**



IMPORTANT

PRODUCT SOFTWARE NOTICE

Product software of all kinds, such as brochures, drawings, technical data, operator's and workshop manuals, parts lists and parts price lists, and other information, instructions and specifications provided from sources other than Westerbeke, is not within Westerbeke's control and, accordingly, is provided to Westerbeke customers only as a courtesy and service. WESTERBEKE CANNOT BE RESPONSIBLE FOR THE CONTENT OF SUCH SOFTWARE, MAKES NO WARRANTIES OR REPRESENTATIONS WITH RESPECT THERETO, INCLUDING THE ACCURACY, TIMELINESS OR COMPLETENESS THEREOF, AND WILL IN NO EVENT BE LIABLE FOR ANY TYPE OF DAMAGES OR INJURY INCURRED IN CONNECTION WITH, OR ARISING OUT OF, THE FURNISHING OR USE OF SUCH SOFTWARE.

For example, components and sub-assemblies incorporated in Westerbeke's products and supplied by others (such as engine blocks, fuel systems and components, transmissions, electrical components, pumps and other products) are generally supported by their manufacturers with their own software, and Westerbeke must depend on such software for the design of Westerbeke's own product software. Such software may be outdated and no longer accurate. Routine changes made by Westerbeke's suppliers, of which Westerbeke rarely has notice in advance, are frequently not reflected in the supplier's software until after such changes take place.

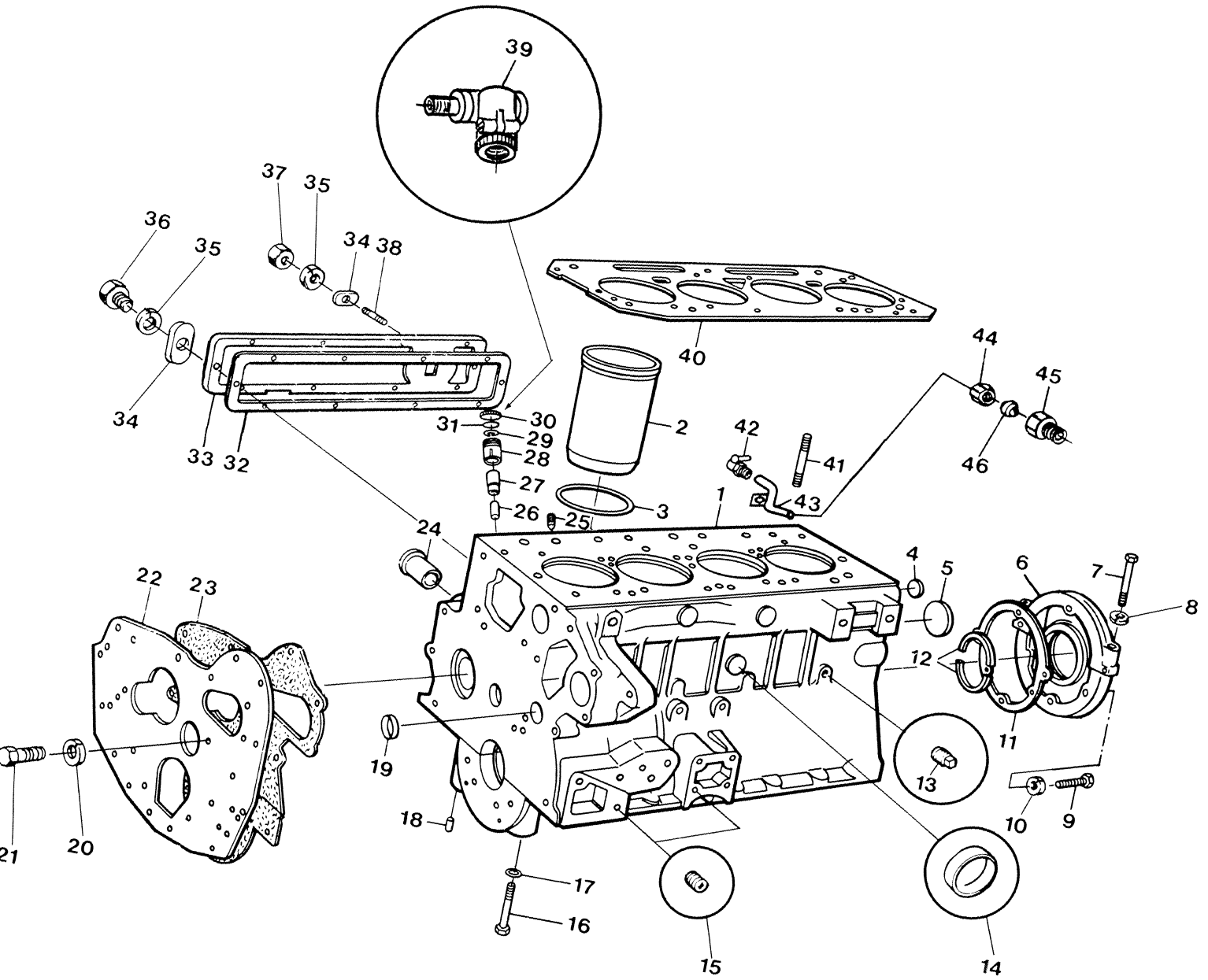
Westerbeke customers should also keep in mind the time span between printings of Westerbeke product software, and the unavoidable existence of earlier, non-current Westerbeke software editions in the field. Additionally, most Westerbeke products include customer-requested special features that frequently do not include complete documentation.

In sum, product software provided with Westerbeke products, whether from Westerbeke or other suppliers, must not and cannot be relied upon exclusively as the definitive authority on the respective product. It not only makes good sense, but is imperative that appropriate representatives of Westerbeke or the supplier in question be consulted to determine the accuracy and currency of the product software being consulted by the customer.

## TABLE OF CONTENTS

200	WESTERBEKE 40 - CYLINDER BLOCK
204	WESTERBEKE 40 - CYLINDER HEAD & VALVES
206	WESTERBEKE 40 - CRANKSHAFT & PISTONS
208	WESTERBEKE 40 - TIMING SYSTEM & CAMSHAFT
210	WESTERBEKE 40 - ROCKER SHAFT & COVER
212	WESTERBEKE 40 - INTAKE MANIFOLD
214	WESTERBEKE 40 - LUBE OIL SUMP & PUMP
216	WESTERBEKE 40 - COOLING SYSTEM - FROM 1975
220	WESTERBEKE 40 - COOLING SYSTEM - TO 1975
222	WESTERBEKE 40 - EXHAUST MANIFOLD & ATTACHMENTS
224	WESTERBEKE 40 - HYDRAULIC TRANSMISSION OIL COOLER
226	WESTERBEKE 40 - SEA WATER PUMP 16423
228	WESTERBEKE 40 - SEA WATER PUMP 11020
230	WESTERBEKE 40 - SEA WATER PUMP 11830 - BELT DRIVEN
232	WESTERBEKE 40 - FRESH WATER PUMP
234	WESTERBEKE 40 - FUEL SYSTEM
240	WESTERBEKE 40 - COMMON BACK END
242	WESTERBEKE 40 - BACK END TO AUG 1979
244	WESTERBEKE 40 - HBW TRANSMISSION
246	WESTERBEKE 40 - WARNER TRANSMISSION
248	WESTERBEKE 10-15KW GENERATOR BACK END TO AUG 1979
250	WESTERBEKE 10-15KW GENERATOR BACK END FROM AUG 1979
252	WESTERBEKE 40 - FRONT MOUNTS
254	WESTERBEKE 40 - REAR MOUNTS
256	WESTERBEKE 40 - STANDARD ALTERNATOR
258	WESTERBEKE 40 - OPTIONAL ALTERNATOR
260	WESTERBEKE 10-15KW GENERATOR FUEL SOLENOID
262	ELECTRICAL SYSTEM-MARINE ENGINE-KEYSWITCH ACTIVATION
264	ELECTRICAL SYSTEM-ACTIVATION BY FUEL PRESSURE
266	ELECTRICAL SYSTEM-ACTIVATION BY LUBE OIL PRESSURE
268	WESTERBEKE 40 - MARINE INSTRUMENT PANEL
270	GENERATOR CONTROL-MANUAL START-ROTARY SWITCH-YD SERIES
272	GENERATOR CONTROL-MANUAL START-ROTARY SWITCH-JC SERIES
274	GENERATOR CONTROL-START DISCONNECT 2 AIR SWITCH 1 TIMER
276	GENERATOR CONTROL-START DISCONNECT 2 AIR SWITCH 2 TIMER
278	GENERATOR CONTROL-START DISCONNECT ALTRN OUTPUT OR AIR SWITCH
280	GENERATOR CONTROL-START DISCONNECT BY ALTERNATOR OUTPUT
282	GENERATOR CONTROL-START DISCONNECT BY DC BATTERY CHARGER
284	GENERATOR CONTROL-START DISCONNECT BY SPEED SWITCH
286	GENERATOR CONTROL-AUXILIARY CHARGING & START WINDINGS
288	DYNAMONITOR DM-2 & DM-3
290	WESTERBEKE 10-15KW GENERATOR - YD SERIES
292	WESTERBEKE 10-15KW GENERATOR - JC SERIES
294	LIFEBOAT ENGINE DRIVEN HYDRAULIC PUMP
296	LIFEBOAT HAND OPERATED HYDRAULIC PUMP
298	WESTERBEKE 40LB - LUB-CEL
300	WESTERBEKE 40LB - HYDRAULIC CRANKING MOTOR
302	WESTERBEKE 40LB - LIFEBOAT MISCELLANEOUS
304	WESTERBEKE 40LS - LIFESPHERE MISCELLANEOUS
306	WESTERBEKE 40 - MISCELLANEOUS

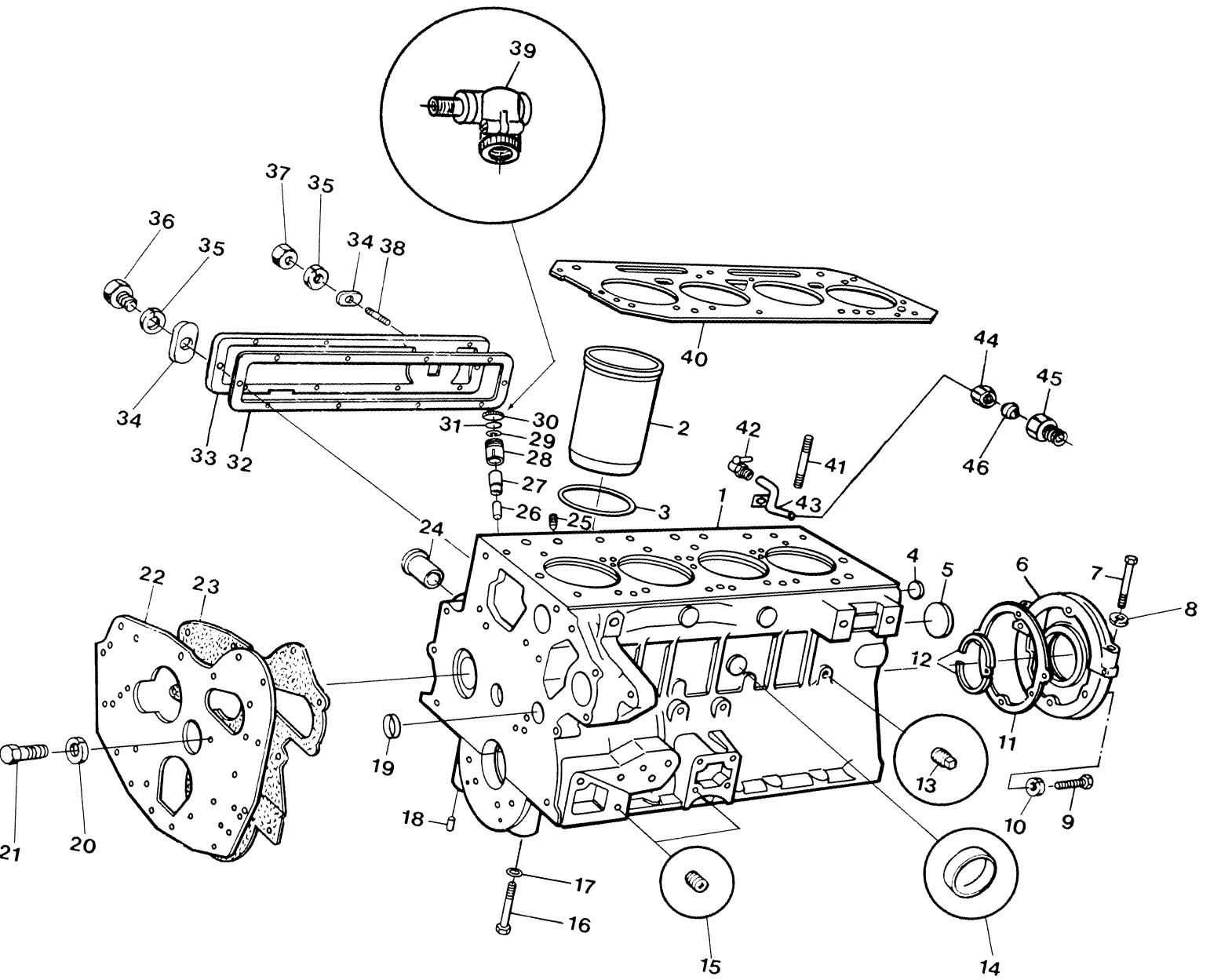
# WESTERBEKE 40 - CYLINDER BLOCK



WESTERBEKE 40 - CYLINDER BLOCK

REF	PN	NAME	REMARKS	QUAN
1- 1	30870	ENGINE	BLOCK & HEAD ASSEMBLY	1
1- 2	11487	ENGINE	ASSEMBLY	1
2- 1	12903	LINER	FOUR 99 TO SER 7030749	4
2- 2	12904	LINER	FOUR 99 FROM SER 7030749	4
2- 3	12600	LINER	S/N 107U	4
2- 4	19990	LINER	S/N 108U & ED	4
3	12565	SEAL	LINER S/N 107U	8
4	12452	PLUG		1
5	12458	FLUG	REAR CAMSHAFT CHAMBER	1
6	12334	HOUSING		1
7	12356	BOLT		2
8	31758	LOCKWASHER	5/16	2
9	12475	CAPSCREW	5/16NF	6
10	31758	LOCKWASHER	5/16	6
11	12661	GASKET		1
12	11993	SEAL		2
13	13341	PLUG	BLOCK DRAIN	1
14	12454	PLUG	EXPANSION S/N 108U & ED	5
15	19992	PLUS	OIL GALLERY	2
16	12469	BOLT	MAIN BEARING CAP	6
17	12623	SHIM		6
18	12380	DOWEL		6
19	12456	PLUG	EXPANSION FRONT & REAR	2
20	31758	LOCKWASHER	5/16	4
21	12473	CAPSCREW	5/16NF X 3/4	4
22	12656	PLATE	MOUNT TIMING COVER	1
23	12406	GASKET		1
24	12371	CONNECTOR	FRESH WATER HOSE	1
25	12464	PLUS	ALTERNATE DIPSTICK POSITION	1
26	12484	SHAFT	TACHOMETER DRIVE	1
27	14686	BEARING	TACHOMETER DRIVE	1
28	12485	SLEEVE	TACHOMETER DRIVE	1
29	12363	SNAPRING	TACHOMETER DRIVE	1
30- 1	12620	CAP	PLASTIC	1
30- 2	19994	CAP	METAL	1
31	12619	WASHER	TACHOMETER DRIVE	1
32	12666	GASKET	SIDE COVER TO BLOCK	1
33- 1	12685	COVER	S/N 107U ALL TO 108U47977	1
33- 2	20029	COVER	S/N 108U47978 ON & ED	1
34	12652	STIFFENER		10
35	31758	LOCKWASHER	5/16	10
36	12473	CAPSCREW	5/16NF X 3/4	2
37	31760	NUT	5/16NF	8
38	12498	STUD		8

# WESTERBEKE 40 - CYLINDER BLOCK

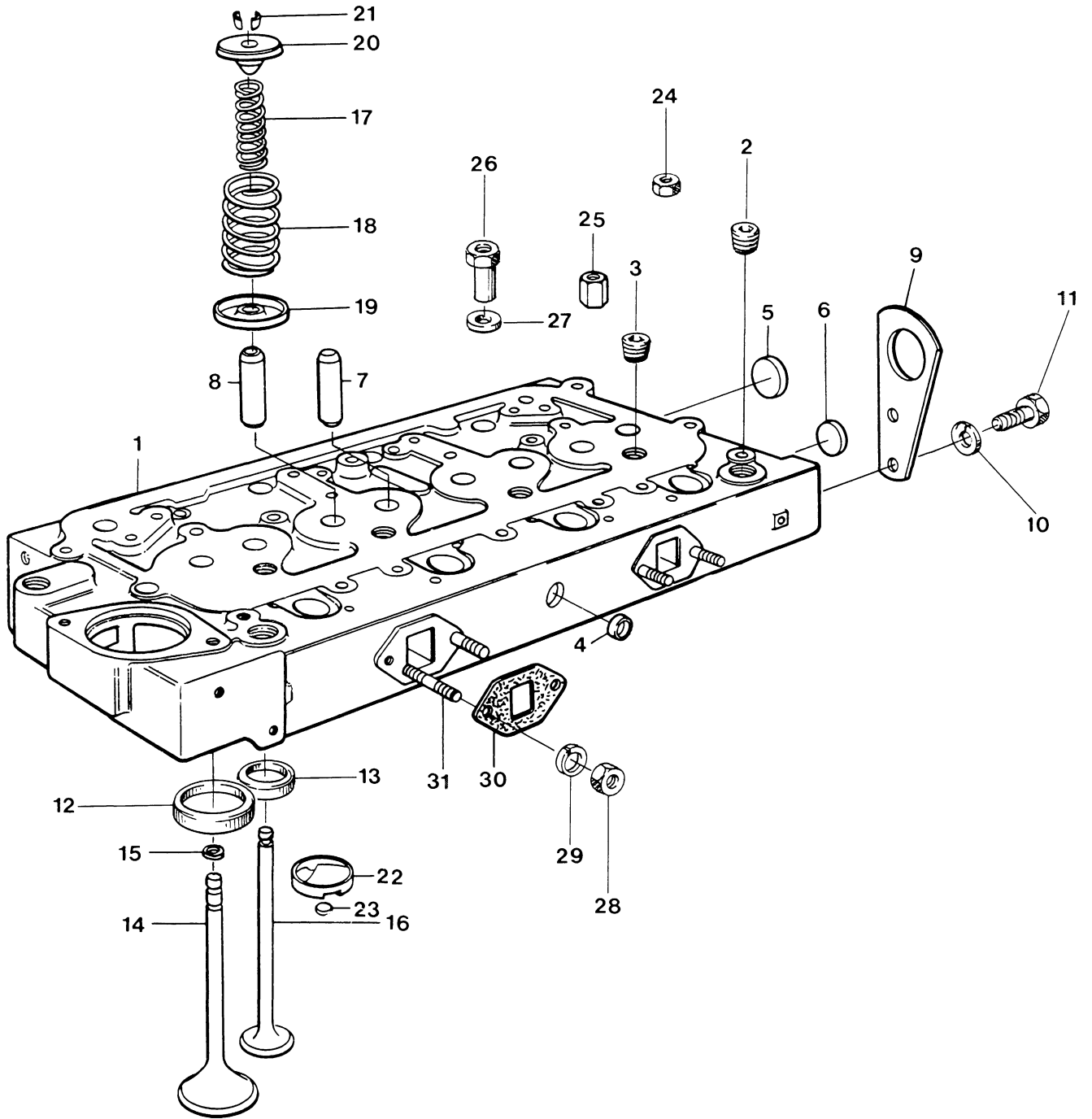


WESTERBEKE 40 - CYLINDER BLOCK

REF	PN	NAME	REMARKS	QUAN
39	14675	DRIVE	TACHOMETER-RIGHT ANGLE	1
40- 1	12400	GASKET	HEAD S/N 107U	1
40- 2	20020	GASKET	HEAD S/N 108U & ED	1
41- 1	14743	STUD	SHORT TO S/N 107U7023705	18
41- 2	12615	STUD	LONG FROM S/N 107U7023705	18
41- 3	19965	STUD	S/N 108U & ED	18
42- 1	13970	PETCOCK	S/N 107U BLOCK DRAIN	1
42- 2	13341	PLUG	S/N 108U & ED BLOCK DRAIN	1
43	14825	LINE	WATER DRAIN S/N 107U-NLA	1
44	12432	NUT	WATER DRAIN S/N 107J	1
45	12377	CONNECTOR	WATER DRAIN S/N 107J	1
46	12415	FERRULE	WATER DRAIN S/N 107J	1



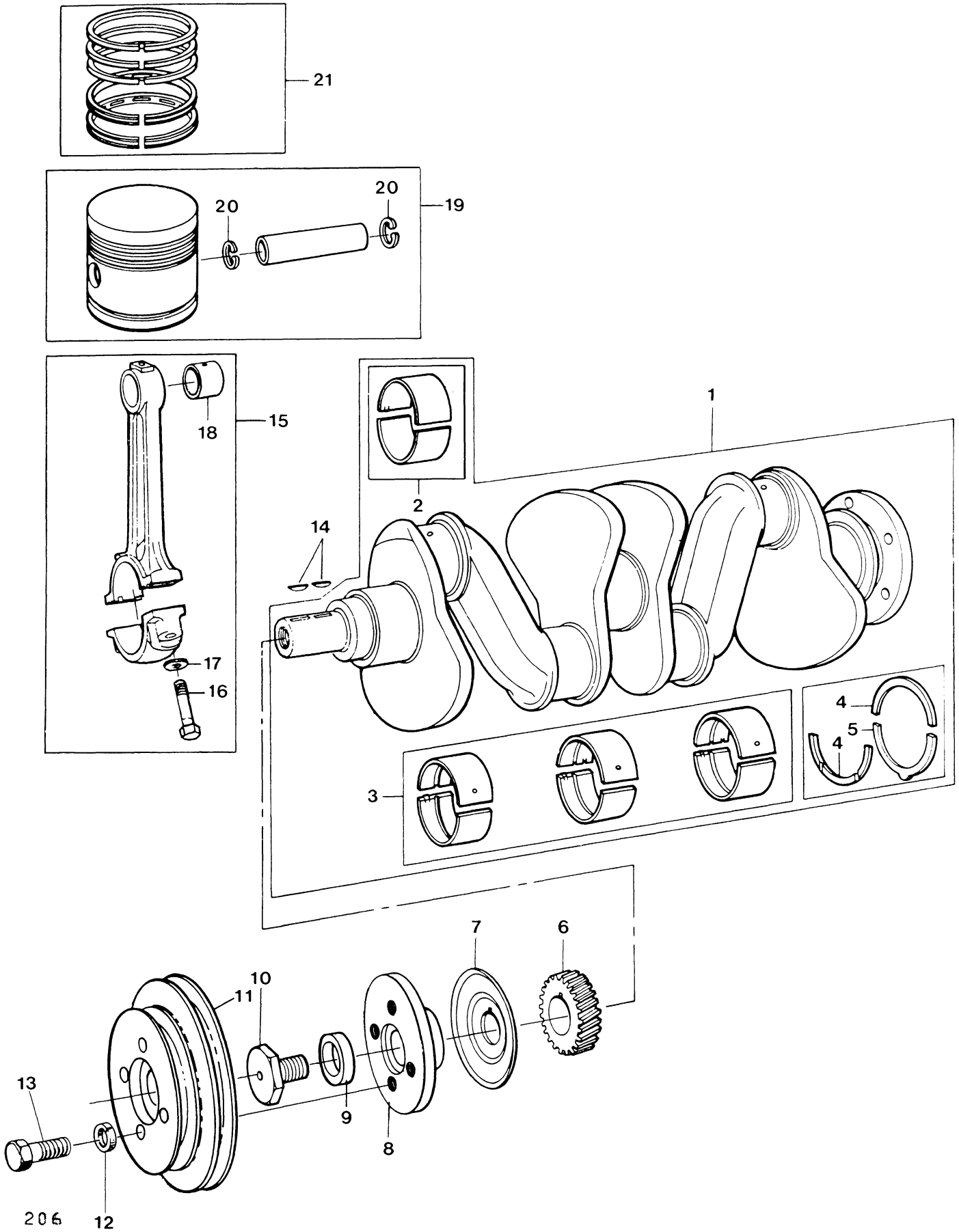
WESTERBEKE 40 - CYLINDER HEAD AND VALVES



WESTERBEKE 40 - CYLINDER HEAD AND VALVES

REF	PN	NAME	REMARKS	QUAN
1- 1	12340	HEAD	ASSEMBLY S/N 107U	1
1- 2	19930	HEAD	ASSEMBLY S/N 108U & ED	1
2	19970	PLUG	HEAD-TOP S/N 108U & ED	3
3	23143	PLUG	HEAD-TOP S/N 108U & ED	4
4	12452	PLUG	HEAD-SIDE	1
5	12454	PLUG	HEAD-REAR	1
6	12455	PLUG	HEAD-REAR	1
7	12629	GUIDE	INTAKE VALVE	4
8	12628	GUIDE	EXHAUST VALVE	4
9	12546	EYE	LIFTING-REAR	1
10	31764	LOCKWASHER	3/8	2
11	31628	CAPSCREW	3/8NF X 3/4	2
12	19999	SEAT	INTAKE VALVE S/N 108U & ED	4
13	19997	SEAT	EXHAUST VALVE S/N 108U & ED	4
14- 1	12509	VALVE	INTAKE-NC GROOVE-FROM S/N 107U7101102	4
14- 2	12511	VALVE	INTAKE-O-RING GROOVE TO S/N 107U7101102	4
15- 1	12635	DEFLECTOR	INTAKE VALVE 12509	8
15- 2	14696	O-RING	INTAKE VALVE 12511	4
16	12510	VALVE	EXHAUST	4
17	12608	SPRING	VALVE-INNER S/N 107U	8
18- 1	12609	SPRING	VALVE-OUTER S/N 107U	8
18- 2	19960	SPRING	VALVE S/N 108U & ED	8
19	12536	SEAT	VALVE SPRING-LOWER	8
20	12360	SEAT	VALVE SPRING-UPPER	8
21	12378	COTTER	VALVE-PAIR	8
22	12682	INSERT	COMBUSTION CHAMBER	4
23	12542	WASHER	WELSH	4
24	14831	NUT	HEAD-SHORT S/N 107U	12
25- 1	12421	NUT	HEAD-LONG S/N 107U	6
25- 2	14445	NUT	HEAD-SHORT S/N 108U & ED	12
26	20005	NUT	HEAD-LONG S/N 108U & ED	6
27	14443	WASHER	HEAD STUDS	18
28	31760	NUT	5/16NF	4
29	31759	WASHER	FLAT 5/16	4
30	11653	GASKET	HEAD TO EXHAUST MANIFOLD	2
31	14810	STUD	EXHAUST MANIFOLD TO HEAD	4

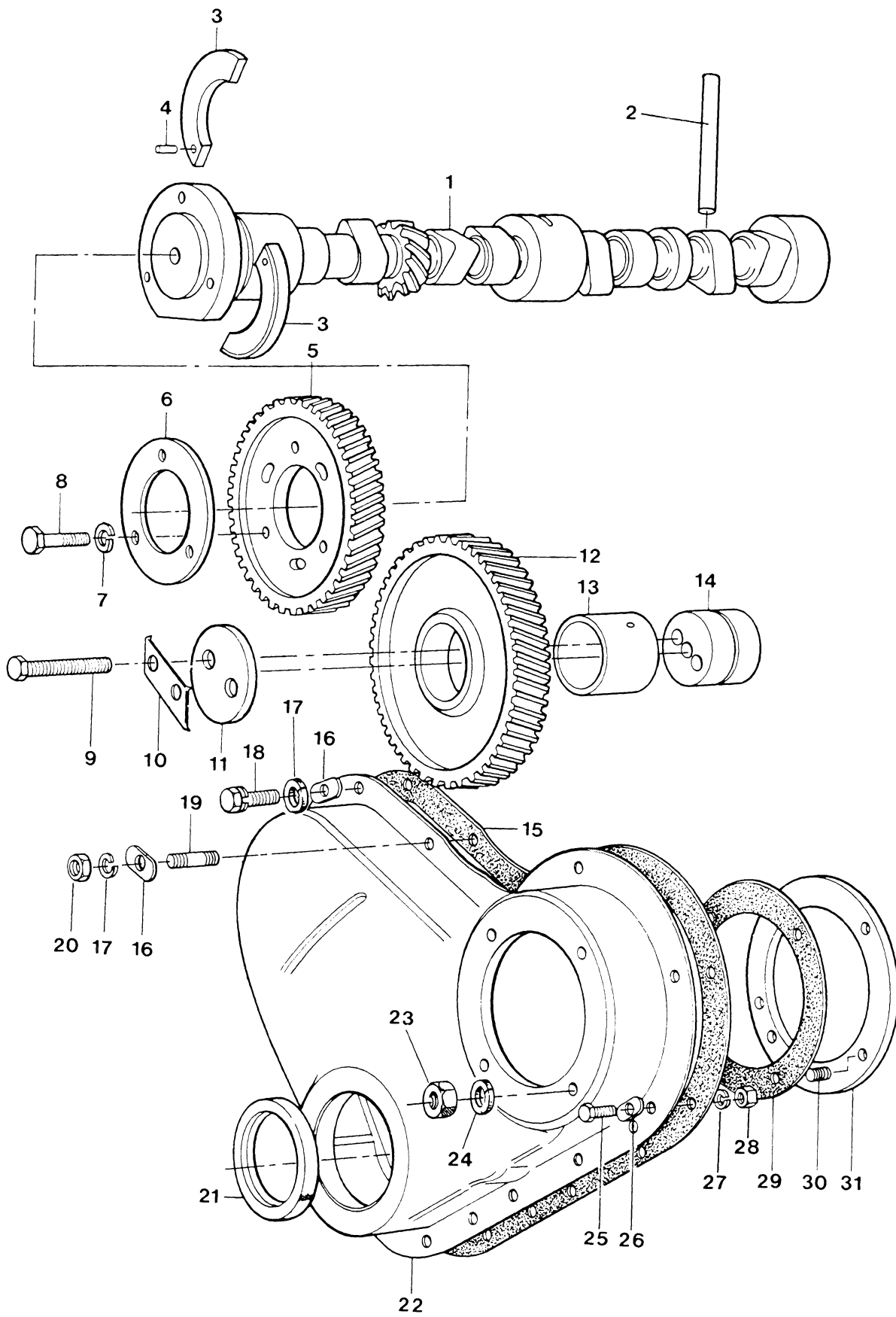
WESTERBEKE 40 - CRANKSHAFT AND PISTONS



WESTERBEKE 40 - CRANKSHAFT AND PISTONS

REF	PN	NAME	REMARKS	QUAN
1- 1	12341	CRANKSHAFT	ASSEMBLY S/N 107U	1
1- 2	23105	CRANKSHAFT	ASSEMBLY S/N 108U & ED	1
2- 1	12343	BEARING	SET-CONNECTING ROD STD	1
2- 2	12414	BEARING	SET-CONNECTING ROD 0.010	1
2- 3	12423	BEARING	SET-CONNECTING ROD 0.020	1
2- 4	12519	BEARING	SET-CONNECTING ROD 0.030	1
3- 1	12342	BEARING	SET-MAIN-STD	1
3- 2	12349	BEARING	SET-MAIN 0.010	1
3- 3	12370	BEARING	SET-MAIN 0.020	1
3- 4	12373	BEARING	SET-MAIN 0.030	1
4- 1	14707	WASHER	THRUST-STD	2
4- 2	19969	WASHER	THRUST-0.007	AR
5- 1	12537	WASHER	THRUST-STD	1
5- 2	19968	WASHER	THRUST-0.007	AR
6	14719	GEAR	CRANKSHAFT	1
7	12383	SLINGER		1
8	12633	ADAPTER	CRANKSHAFT PULLEY	1
9	11857	WASHER	CRANKSHAFT PULLEY	1
10	12613	BOLT	PULLEY RETAINING	1
11- 1	12595	PULLEY	CRANKSHAFT-STD	1
11- 2	23526	PULLEY	OPTIONAL 6 IN 6 GR	1
11- 3	16356	PULLEY	OPTIONAL 5 IN 4 GR & 4 IN 2 GR	1
11- 4	12638	PULLEY	OPTIONAL 7 IN 2 GR	1
11- 5	12020	PULLEY	ACCESSORY 5 IN 2 GR	1
11- 6	12039	PULLEY	ACCESSORY 6 IN 2 GR	1
12	31752	LOCKWASHER	1/4	4
13		CAPSCREW	1/4NF X 1-1/8 STD PULLEY	4
14	12408	KEY		2
15- 1	12344	ROD	CONNECTING ASSEMBLY S/N 107U	4
15- 2	19935	ROD	CONNECTING ASSEMBLY S/N 108U & ED	4
16	12348	BOLT	CONNECTING ROD	8
17	12622	WASHER	FLAT TORQUE 36-38 FT LBS	8
18- 1	12594	BUSHING	CONNECTING ROD S/N 107U	4
18- 2	19986	BUSHING	CONNECTING ROD S/N 108U & ED	4
19- 1	12899	PISTON	ASSEMBLY 4-99 TO S/N 7034969	4
19- 2	12900	PISTON	ASSEMBLY 4-99 FROM S/N 7034969	4
19- 3	12908	PISTON	ASSEMBLY S/N 107U	4
19- 4	24000	KIT	PISTON-LINER S/N 107U	4
19- 5	19938	PISTON	ASSEMBLY S/N 108U & ED	4
20- 1	12573	SNAPRING	PISTON PIN S/N 107U	8
20- 2	19984	SNAPRING	PISTON PIN S/N 108U & ED	8
21- 1	12738	RING SET	NEW LINER 4-99 TO S/N 7034969	4
21- 2	12819	RING SET	NEW LINER 4-99 FROM S/N 7034969	4
21- 3	12958	RING SET	WORN LINER 4-99 FROM S/N 7007685	4
21- 4	12905	RING SET	NEW LINER S/N 107U	4
21- 5	12906	RING SET	WORN LINER S/N 107U	4
21- 6	19937	RING SET	STD S/N 108U & ED	4

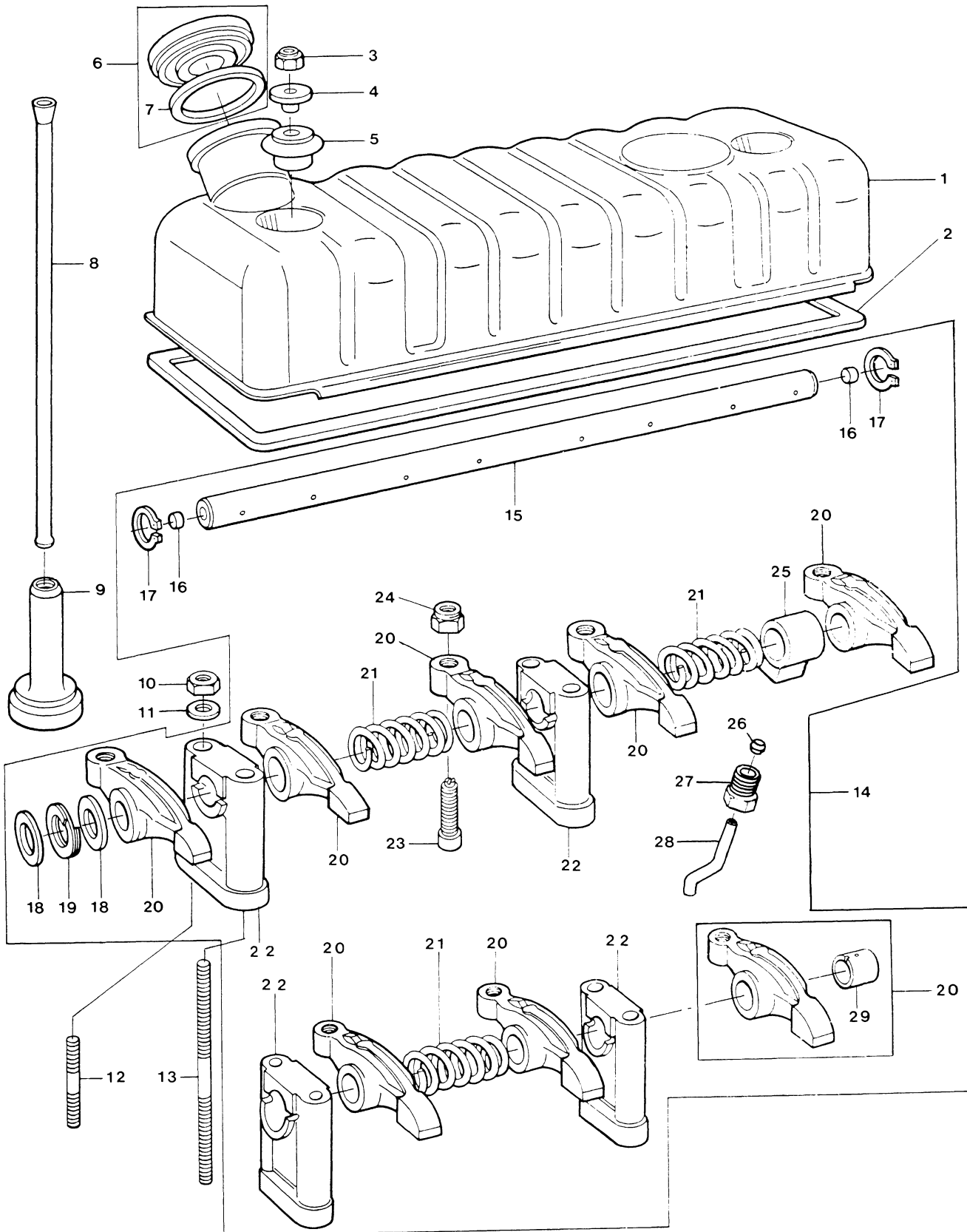
# WESTERBEKE 40 - TIMING SYSTEM AND CAMSHAFT



WESTERBEKE 40 - TIMING SYSTEM AND CAMSHAFT

REF	PN	NAME	REMARKS	QUAN
1	12605	CAMSHAFT		1
2	12460	PUSHROD	FUEL LIFT PUMP	1
3	12654	PLATE	THRUST-CAMSHAFT	2
4	12440	DOWEL		1
5	12597	GEAR	CAMSHAFT	1
6	12625	PLATE		1
7	31758	LOCKWASHER	5/16	3
8	12474	CAPSCREW	5/16NF X 7/8	3
9	12481	CAPSCREW	IDLER GEAR	2
10	12541	TABWASHER		1
11	12551	PLATE	IDLER GEAR	1
12	12689	GEAR	IDLER WITH BUSHING	1
13	14685	BUSHING	FOR IDLER GEAR	1
14	12388	HUB	IDLER GEAR	1
15	12658	GASKET	TIMING COVER	1
16	12652	STIFFENER		8
17	31758	LOCKWASHER	5/16	10
18	12474	CAPSCREW	5/16NF X 7/8	9
19	12493	STUD		1
20	31760	NUT	5/16NF	1
21	12466	SEAL	TIMING COVER	1
22	12678	COVER	TIMING	1
23	31760	NUT	5/16NF	4
24	31758	LOCKWASHER	5/16	4
25	12471	CAPSCREW	1/4NF X 5/8	4
26	13536	STIFFENER		3
27	31752	LOCKWASHER	1/4	4
28	31754	NUT	1/4NF	4
29	12636	GASKET	PLATE TO TIMING COVER	1
30	12500	STUD	SEA WATER PUMP MOUNT	4
31	12626	PLATE	SUPPORT SEA WATER PUMP	1

WESTERBEKE 40 - ROCKER SHAFT AND COVER

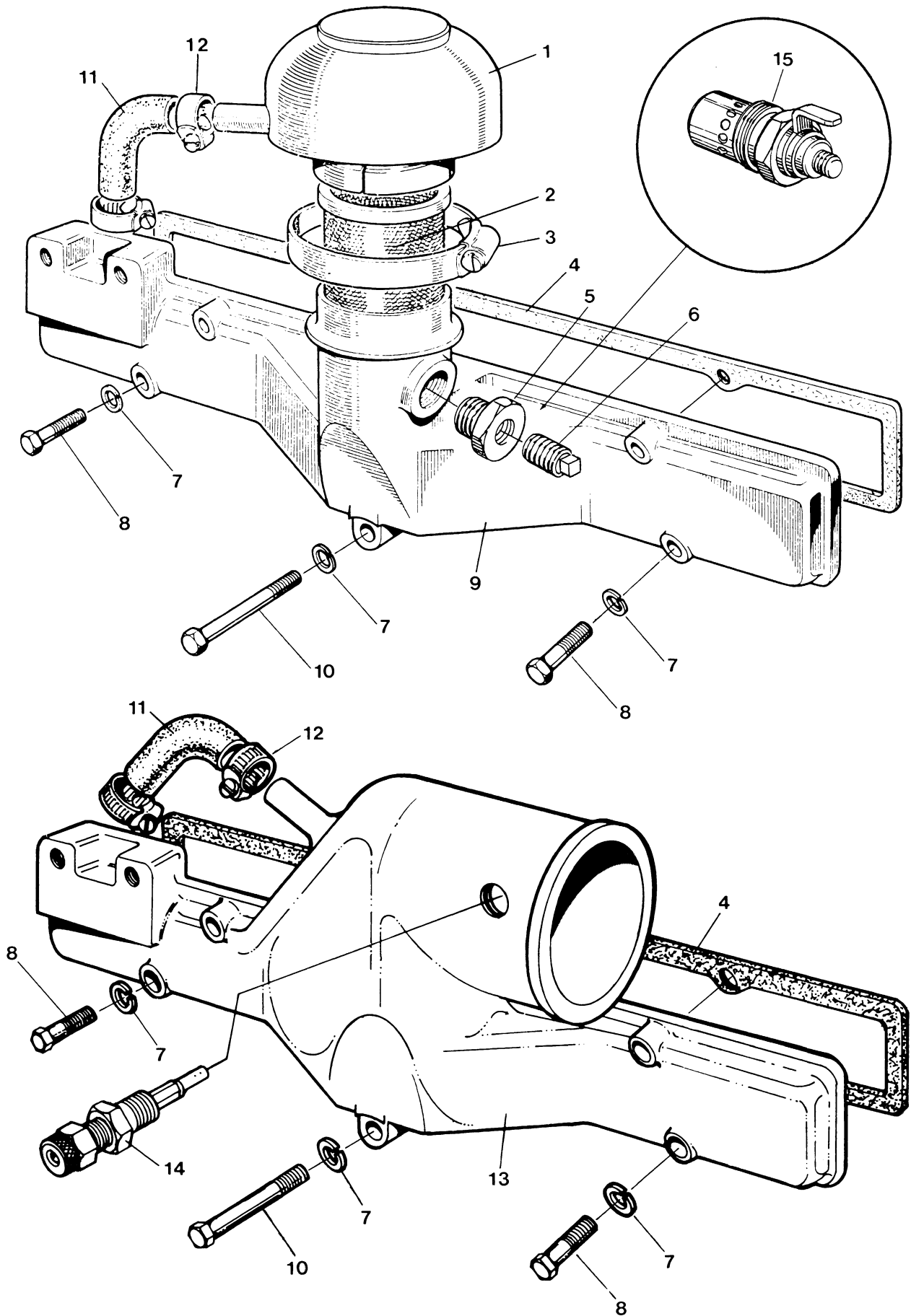


WESTERBEKE 40 - ROCKER SHAFT AND COVER

REF	PN	NAME	REMARKS	QUAN
1	12681	COVER	ROCKER	1
2	12404	GASKET	ROCKER COVER	1
3	12429	NUT		2
4	12535	WASHER		2
5	12467	SEAL		2
6- 1	14709	CAP ASSY	SMALL 1-3/4 DIA TO S/N 107U7106766	1
6- 2	12567	CAP ASSY	LARGE 2-3/8 DIA	1
7- 1	14713	GASKET	CAP 14709	1
7- 2	32184	GASKET	CAP 15567	1
8	12607	PUSHROD		8
9	12606	TAPPET		8
10	12434	NUT	LOCKING	8
11	31759	WASHER	FLAT 5/16	8
12	12499	STUD	SHORT 3-5/8 IN	6
13	12494	STUD	LONG 4-1/2 IN	2
14	12336	SHAFT	COMPLETE ASSEMBLY	1
15	12335	SHAFT	ROCKER WITH PLUGS	1
16	12446	PLUG		2
17	12362	SNAPRING		2
18	12525	WASHER		4
19	12539	WASHER		2
20	12333	ROCKER	WITH BUSHING	8
21	12488	SPRING		3
22	12358	BRACKET		4
23	12462	SCREW	ROCKER ADJUSTING	8
24	12433	NUT		8
25	12372	CONNECTOR	OIL FEED TO ROCKER SHAFT	1
26	12413	FERRULE		2
27	12419	NUT		2
28	12637	LINE	HEAD TO ROCKER SHAFT	1
29	12331	BUSHING	ROCKER	8



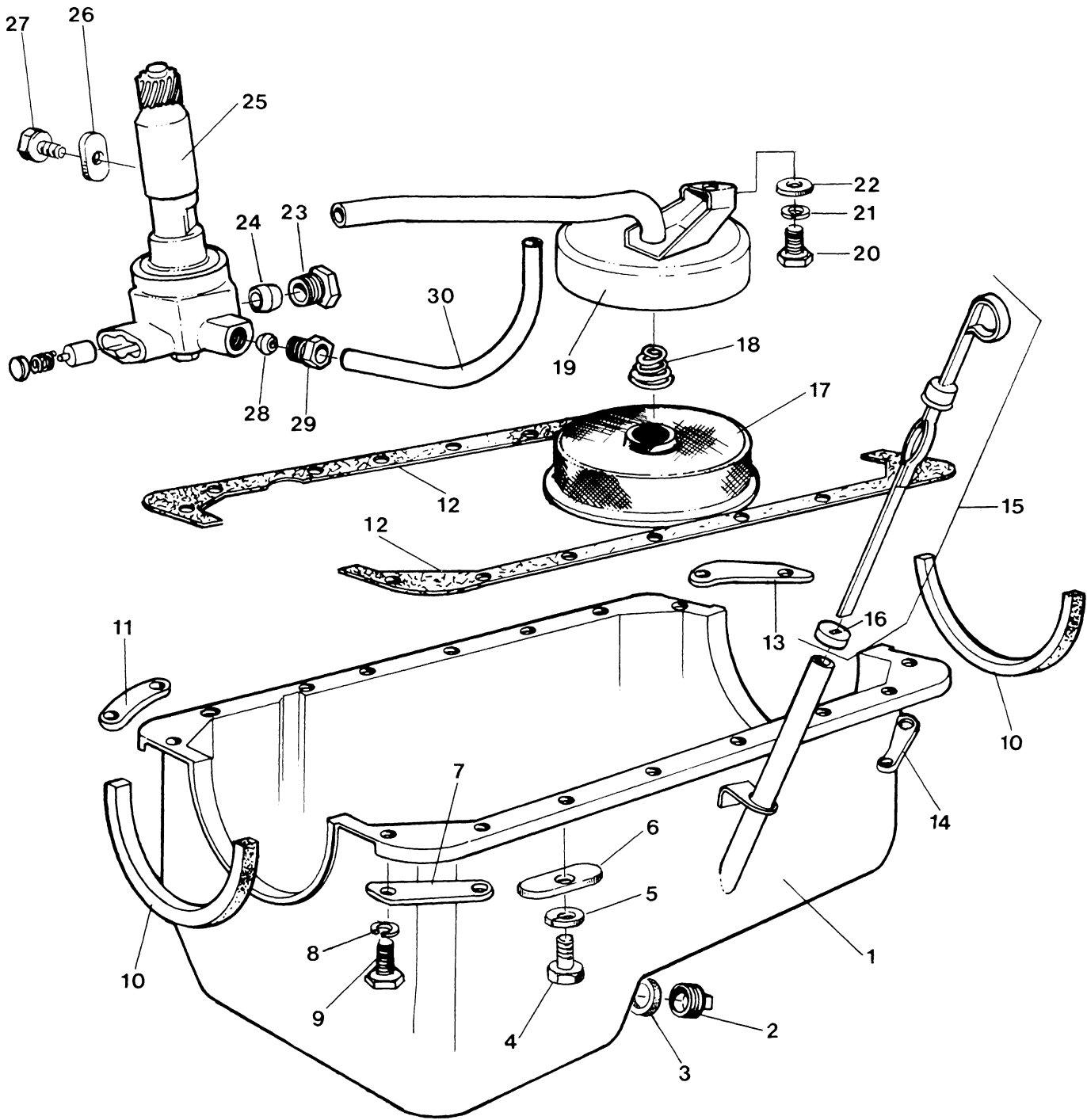
WESTERBEKE 40 - INTAKE MANIFOLD



WESTERBEKE 40 - INTAKE MANIFOLD

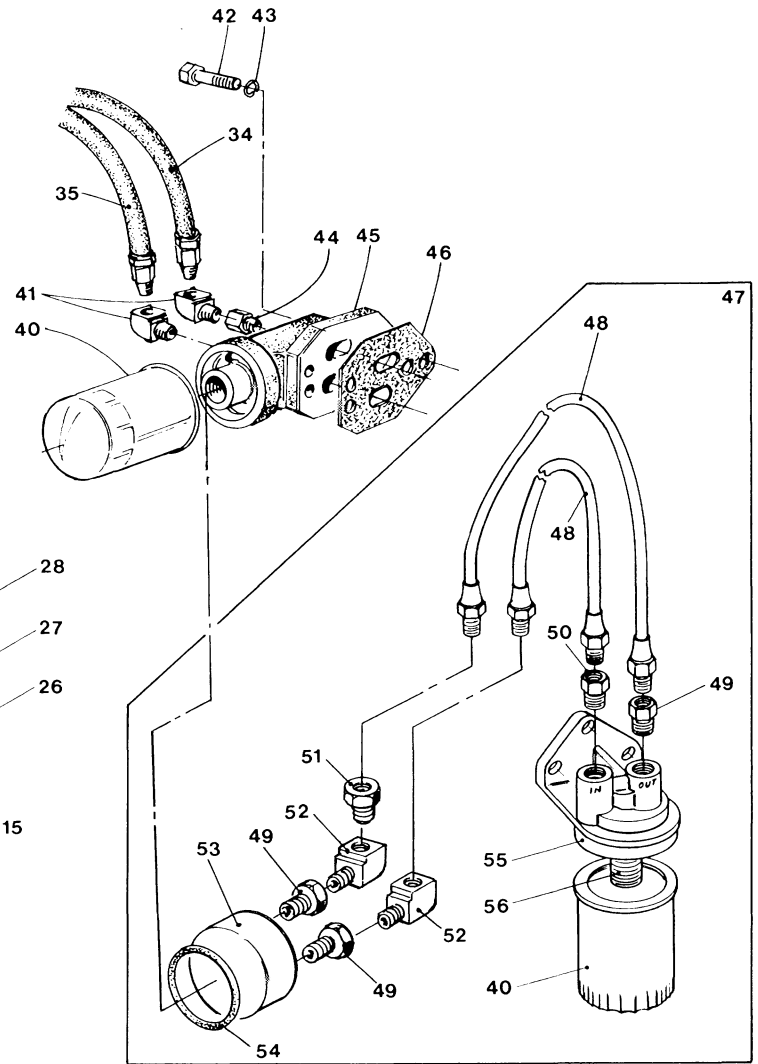
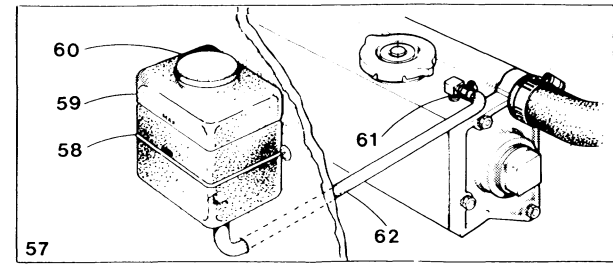
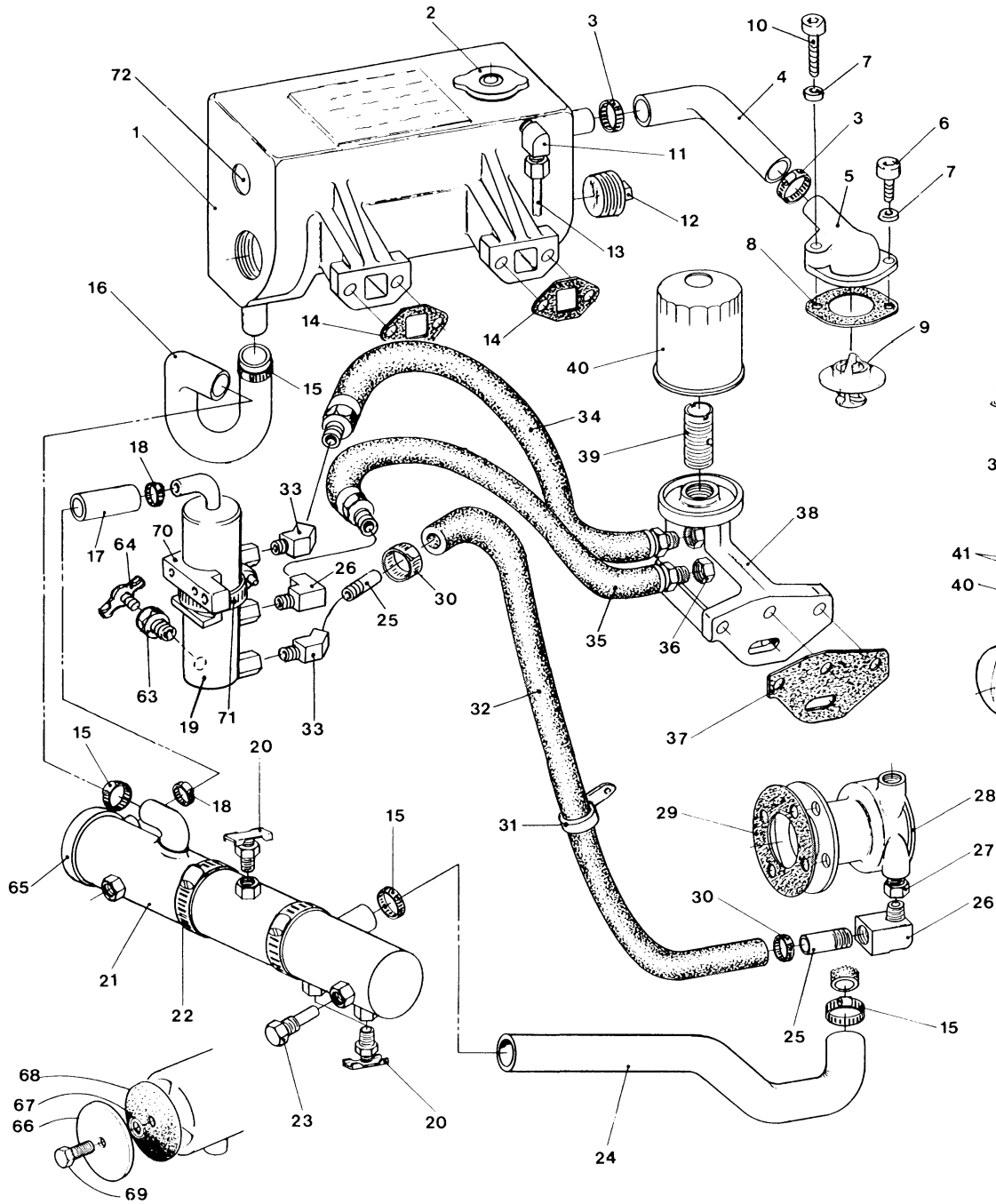
REF	PN	NAME	REMARKS	QUAN
1	12683	COVER	AIR INTAKE	1
2	12556	FILTER	AIR INTAKE	1
3	11411	CLAMP	HOSE 32	1
4	20021	GASKET	INTAKE MANIFOLD TO HEAD	1
5- 1	22841	ADAPTER	MANIFOLD TO 7/8UNF	1
5- 2	24881	PLUG	7/8UNF	1
5- 3	13392	BUSHING	7/8UNF TO 1/8NPT	1
6- 1	11688	START AID	ETHER TYPE-WB	1
6- 2	11615	PLUG	1/8NPT	1
7	31758	LOCKWASHER	5/16	7
8- 1	31582	CAPSCREW	5/16NF X 1-1/2	4
8- 2	31581	CAPSCREW	5/16NF X 1-1/4	2
9- 1	12688	MANIFOLD	AIR INTAKE	1
9- 2	19382	MANIFOLD	AIR INTAKE-ACCEPTS LUB-CEL	1
10	31588	CAPSCREW	5/16NF X 3	1
11	12639	ELBOW	BREATHER	1
12	11341	CLAMP	HOSE 8	2
13	14115	MANIFOLD	AIR INTAKE-LOW PROFILE-NLA	1
14	14101	START AID	ETHER TYPE-LS	1
15	11530	HEATER	MANIFOLD 12 VDC	1

WESTERBEKE 40 - LUBE OIL SUMP AND PUMP



WESTERBEKE 40 - LUBE OIL SUMP AND PUMP

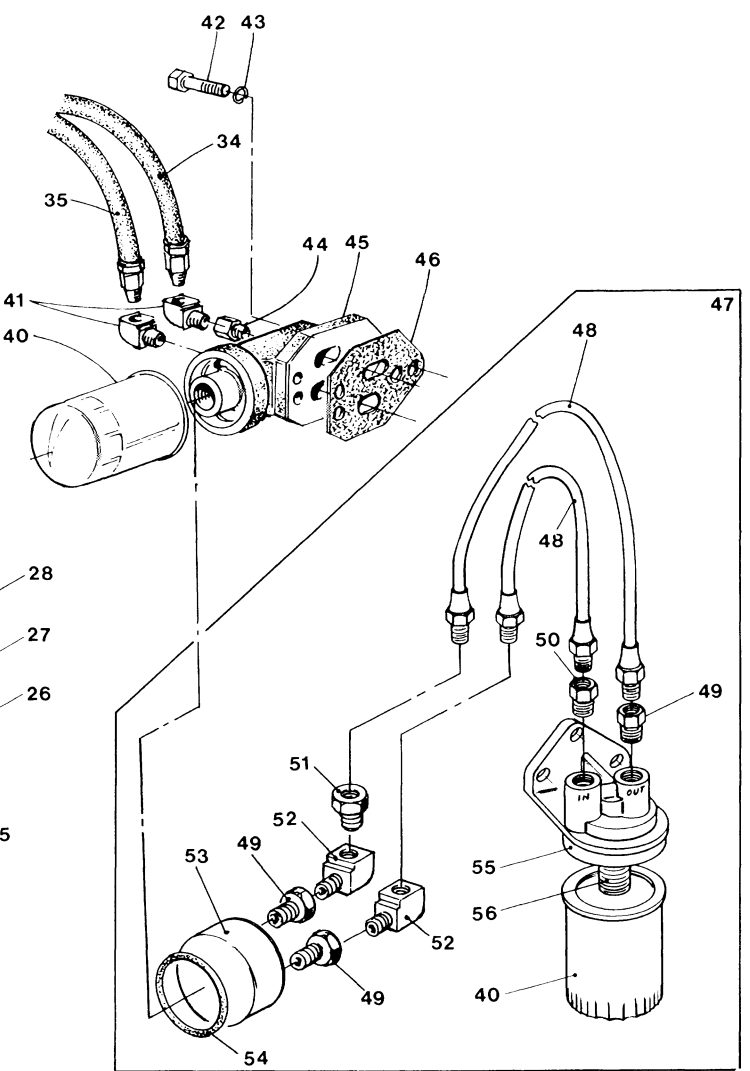
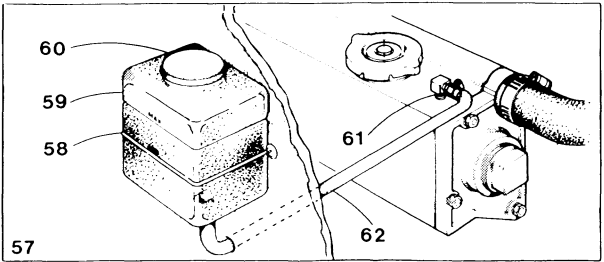
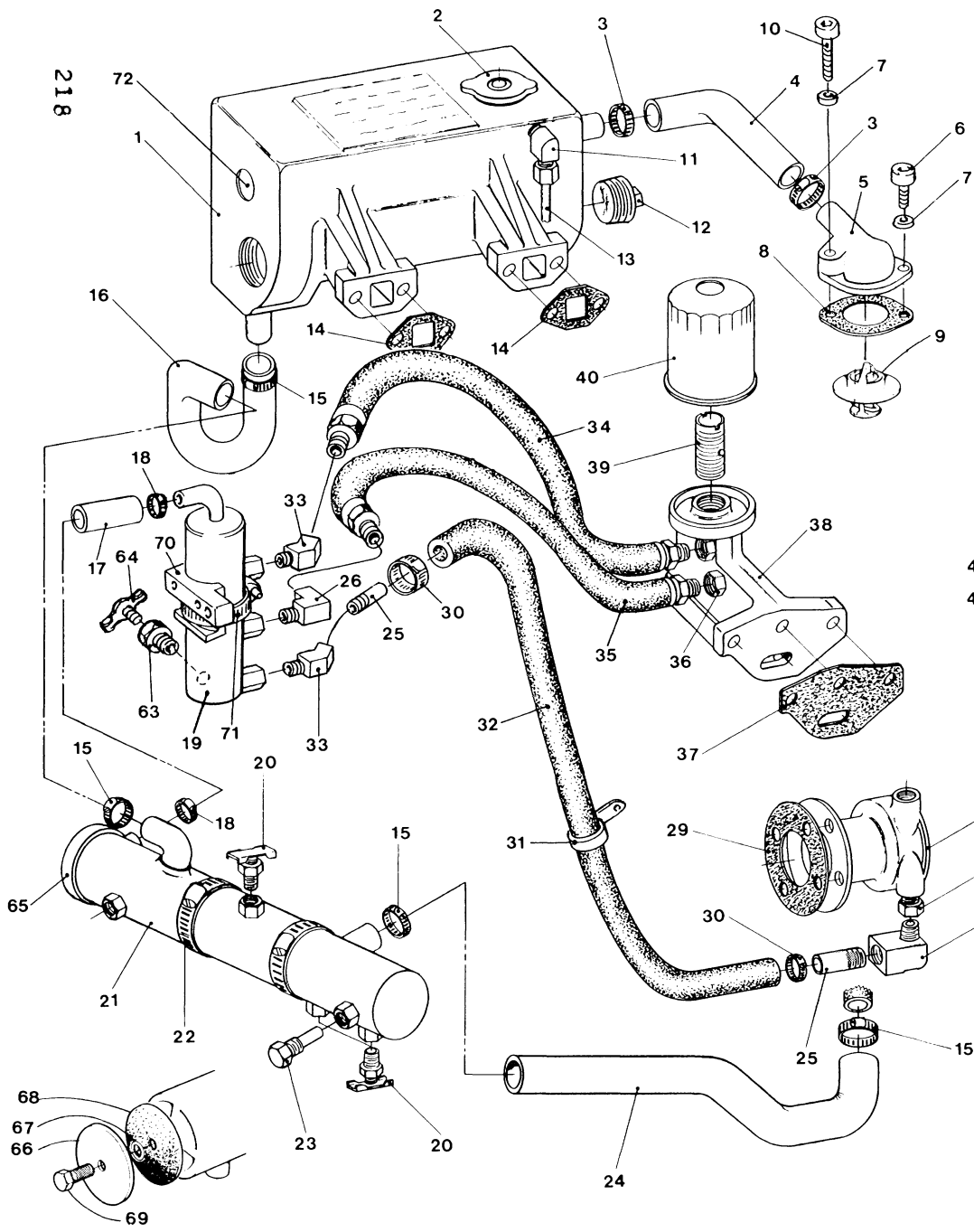
REF	PN	NAME	REMARKS	QUAN
1- 1	12680	SUMP	OIL 1/2NPT DRAIN PLUG-TO AUG 1985-NLA	1
1- 2	35304	SUMP	OIL 3/4-16NF DRAIN PLUG	1
2- 1	13951	PLUG	SUMP DRAIN 1/2NPT-IVCL WASHER	1
2- 2	35305	PLUG	SUMP DRAIN 3/4-16UNF	1
3- 1	13952	WASHER	SUMP DRAIN PLUG 13951	1
3- 2	35306	WASHER	SUMP DRAIN PLUG 35305	1
4	12473	CAPSCREW	5/16NF X 3/4	8
5	31758	LOCKWASHER	5/16	8
6	12652	STIFFENER	SUMP SIDE	8
7	12547	STIFFENER		1
8	31758	LOCKWASHER	5/16	8
9	12474	CAPSCREW	5/16NF X 7/8	8
10	12407	GASKET		2
11	12550	STIFFENER		1
12	12659	GASKET SET	SUMP-LEFT AND RIGHT	1
13	12549	STIFFENER		1
14	12548	STIFFENER		1
15	12612	DIPSTICK		1
16	14816	WASHER		1
17	12686	STRAINER		1
18	12491	SPRING		1
19	12651	LINE	OIL STRAINER TO PUMP	1
20	12473	CAPSCREW	5/16NF X 3/4	1
21	31758	LOCKWASHER	5/16	1
22	31759	WASHER	FLAT 5/16	1
23	20006	NUT	SUCTION LINE	1
24	19950	FERRULE	SUCTION LINE	1
25	12692	PUMP	LUBE OIL-COMPLETE	1
26	20017	TABWASHER	OIL PUMP RETAINING CAPSCREW	1
27		CAPSCREW	5/16NF X 1-1/16	1
28	19951	FERRULE	LUBE OIL DELIVERY LINE	2
29	19952	NUT	LUBE OIL DELIVERY LINE	2
30	12442	LINE	LUBE OIL DELIVERY LINE	1



WESTERBEKE 40 - COOLING SYSTEM - FROM 1975

REF	PN	NAME	REMARKS	QUAN
1	I5564	MANIFOLD	EXHAUST	1
2	24306	CAP	PRESSURE 15PSI	1
3	21878	CLAMP	HOSE 20	2
4	11652	HOSE	THERMOSTAT TO MANIFOLD	1
5	12009	HOUSING	THERMOSTAT	1
6	31922	CAPSCREW	3/8NF X 1 SOCKET HEAD	1
7	31764	LOCKWASHER	3/8	2
8	12663	GASKET	THERMOSTAT HOUSING	1
9	24688	THERMOSTAT		1
10	31923	CAPSCREW	3/8NF X 2 SOCKET HEAD	1
11- 1	I3329	ELBOW	COOLANT OVERFLOW-NO RECOVERY TANK	1
11- 2	24907	ELBOW	MANIFOLD TO RECOVERY TANK HOSE	1
12- 1	19324	PLUG	FRONT EXHAUST OUTLET	1
12- 2		LOC-TITE	ANTI-SEIZE SHOULD BE USED ON THREADS	
13	11500	TUBING	OVERFLOW-NO TANK-INCHES REQD	8
14	11653	GASKET	EXHAUST MANIFOLD TO HEAD	2
15	21878	CLAMP	HOSE 20	4
16	15567	HOSE	MANIFOLD TO HEAT EXCHANGER	1
17	11517	HOSE	COOLER TO EXCHANGER-INCHES REQD	5
18	11341	CLAMP	HOSE 8	2
19	24581	COOLER	OIL INCL BRACKET AND CLAMP	1
20	I1471	PETCOCK		2
21- 1	I4129	EXCHANGER	HEAT	1
21- 2	11966	EXCHANGER	HEAT CUPRO-NICKLE	1
22	11505	CLAMP	EXCHANGER TO HOUSING	2
23	11885	ZINC		1
24	I2221	HOSE	EXCHANGER TO BLOCK	1
25	I3519	NIPPLE	HOSE	2
26	I3338	ELBOW	3/8NPT STREET 90	2
27	11659	BUSHING	REDUCER 1/2NPT X 3/8NPT	1
28- 1	16423	PUMP	SEA WATER-RUBBER IMPELLER	1
28- 2	11658	PUMP	SEA WATER-BRONZE GEAR-LIFEBOATS	1
29	11143	GASKET	SEA WATER PUMP MOUNT	1
30	11341	CLAMP	HOSE 8	2
31	I3760	CLAMP	SUPPORT HOSE	1
32	11517	HOSE	PUMP TO COOLER-INCHES REQD	24
33	I3337	ELBOW	3/8NPT STREET 45	2
34- 1	I9151	HOSE	COOLER TO FILTER ADAPTER 18972	1
34- 2	I1926	HOSE	COOLER TO FILTER ADAPTER 24264	1
35- 1	I9150	HOSE	FILTER ADAPTER 18972 TO COOLER	1
35- 2	I1926	HOSE	FILTER ADAPTER 24264 TO COOLER	1
36	13348	ADAPTER	HOSE TO ADAPTER 18972	2
37	I2669	GASKET	FILTER ADAPTER 18972 TO CLOCK	1
38	18972	ADAPTER	LUBE OIL FILTER-TO 1980-NLA	1
39	I3610	NIPPLE	LUBE OIL FILTER TO ADAPTER	1
40	16655	FILTER	LUBE OIL	1

218



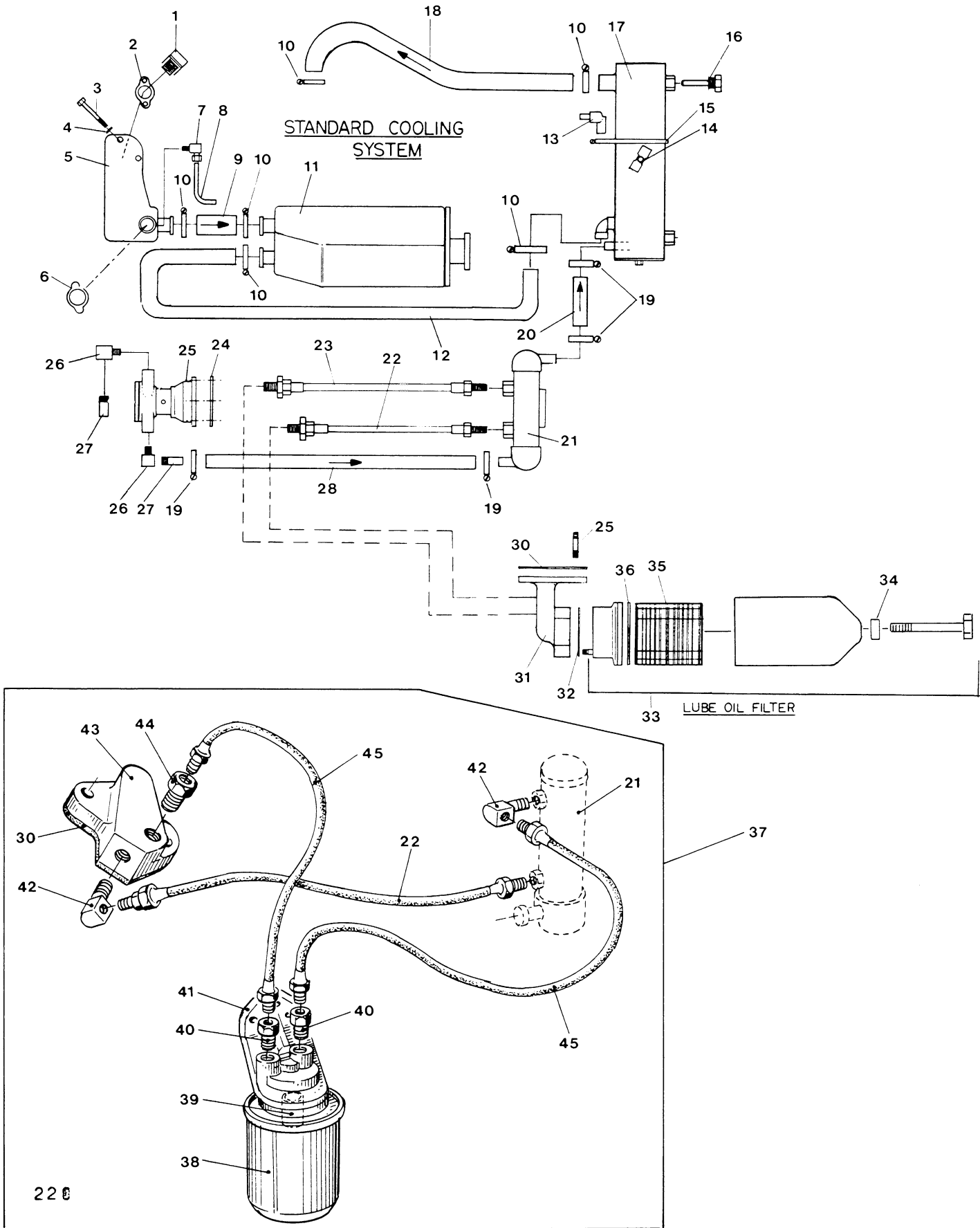
WESTERBEKE 40 - COOLING SYSTEM - FROM 1975

WESTERBEKE 40 - COOLING SYSTEM - FROM 1975

REF	PN	NAME	REMARKS	QUAN
41	13330	ELBOW	HOSE TO FILTER ADAPTER	2
42- 1	31681	CAPSCREW	7/16NF X 1-1/4	1
42- 2	31690	CAPSCREW	7/16NF X 3-1/2	1
43	31770	LOCKWASHER	7/16	2
44	13332	ADAPTER		1
45- 1	24264	ADAPTER	LUBE OIL FILTER	1
45- 2	30761	ADAPTER	LUBE OIL FILTER W40-WC	1
46	24322	GASKET	ADAPTER TO BLOCK	1
47	21513	KIT	REMOTE LUBE OIL FILTER	1
48	11925	HOSE	OIL LINE TO REMOTE FILTER	2
49	11659	BUSHING	REDUCER 1/2NPT-3/8NPT	3
50	21512	ADAPTER	HOSE TO HOUSING	1
51	13348	ADAPTER	HOSE TO ELBOW	1
52	13337	ELBOW	3/8NPT STREET 45	2
53	20983	ADAPTER		1
54	20455	O-RING		1
55	16398	HOUSING	REMOTE OIL FILTER	1
56	13610	NIPPLE	FILTER TO HOUSING	1
57	24977	KIT	COOLANT RECOVERY TANK	1
58	24786	STRAP	COOLANT RECOVERY TANK MOUNTING	1
59	24704	TANK	COOLANT RECOVERY	1
60	24858	CAP	COOLANT RECOVERY TANK	1
61	24906	CLAMP	HOSE	2
62	24637	TUBING	INCHES REQUIRED	30
63	13717	BUSHING	REDUCER 3/8NPT-1/8NPT	1
64	11471	PETCOCK		1
65	23169	CAP	EXCHANGER END-RUBBER	1
66	22850	CAP	EXCHANGER END-METAL	1
67	19321	O-RING		1
68	22851	GASKET	EXCHANGER END CAP	1
69	22852	CAPSCREW	3/8NC X 1/2 BRASS	1
70	24840	BRACKET	OIL COOLER	1
71	11411	CLAMP	OIL COOLER	1
72	19334	PLUG	EXPANSION	1



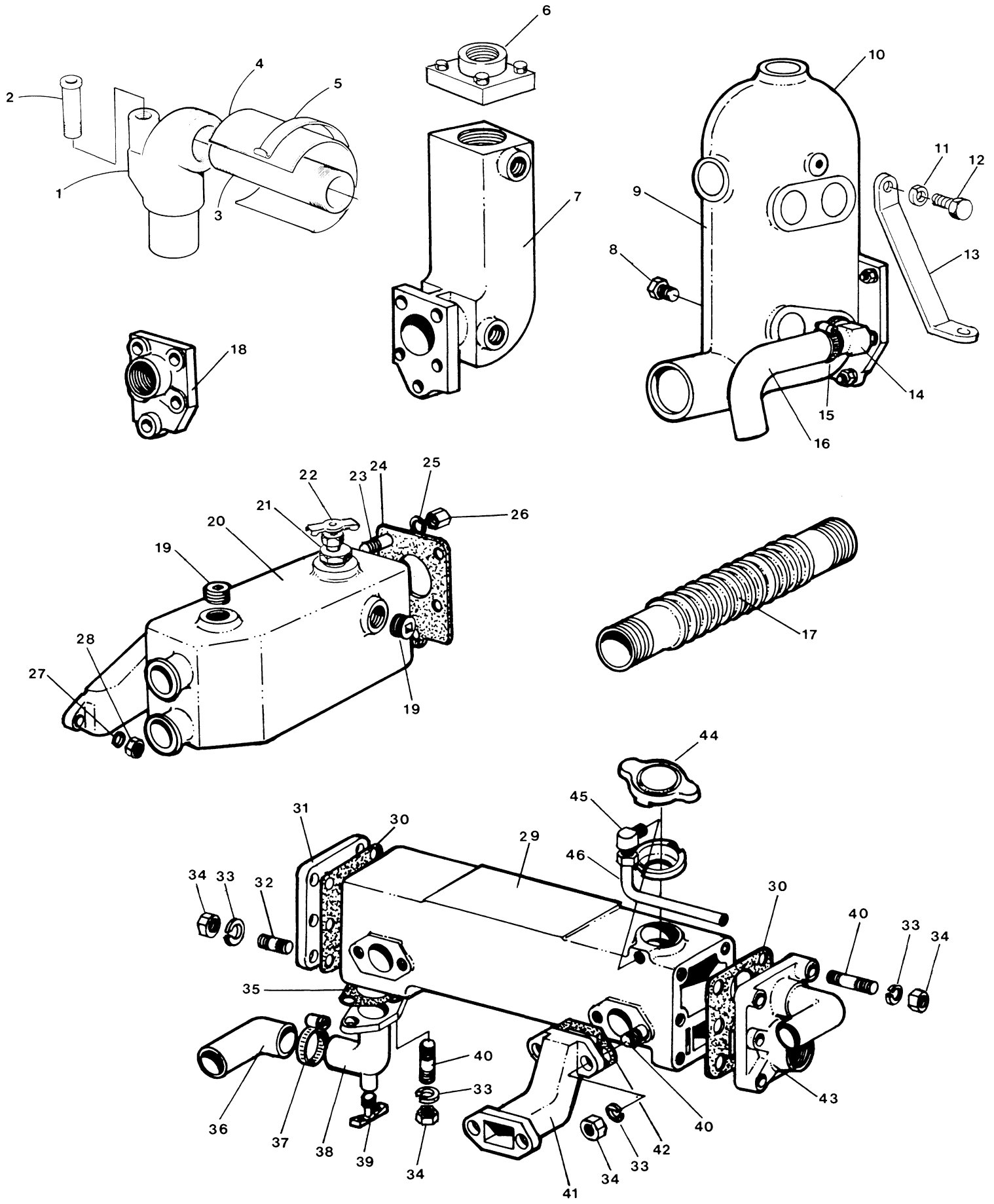
WESTERBEKE 40 - COOLING SYSTEM - TO 1975



WESTERBEKE 40 - COOLING SYSTEM - TO 1975

REF	PN	NAME	REMARKS	QUAN
1	24688	THERMOSTAT		1
2	12663	GASKET	THERMOSTAT	1
3	14832	CAPSCREW	3/8NF X 5	2
4	31764	LOCKWASHER	3/8	2
5	14073	TANK	FRESH WATER EXPANSION	1
6- 1	11499	CAP	PRESSURE 4 PSI	1
6- 2	24306	CAP	PRESSURE 15PSI	1
7	13329	ELBOW	COOLANT OVERFLOW	1
8	11783	TUBING	COOLANT OVERFLOW-INCHES REQD	7
9	11501	HOSE	1.25ID-INCHES REQD	2
10	21878	CLAMP	HOSE 20	6
11	12411	MANIFOLD		1
12	13825	HOSE	MANIFOLD TO HEAT EXCHANGER	1
13- 1	12092	BRACKET	EXCHANGER MOUNT-PROPULSION	1
13- 2	11115	BRACKET	EXCHANGER MOUNT-GENSET	1
14	11471	PETCOCK		3
15	11505	CLAMP	EXCHANGER MOUNT	2
16	11885	ZINC		1
17- 1	14129	EXCHANGER	HEAT	1
17- 2	11966	EXCHANGER	HEAT-CUPRO-NICKLE	1
17- 3	13053	EXCHANGER	HEAT-GENSET-DRIP PAN MOUNTED	1
17- 4	12887	EXCHANGER	HEAT-90 DEGREE OUTLET	1
18	12221	HOSE	EXCHANGER TO BLOCK	1
19	11341	CLAMP	HOSE 8	4
20	11517	HOSE	COOLER TO EXCHANGER-INCHES REQD	5
21	24581	COOLER	OIL-INCLUDING BRACKET AND CLAMP	1
22	11923	HOSE	OIL COOLER TO FILTER ADAPTER	1
23	11926	HOSE	OIL COOLER TO FILTER ADAPTER	1
24	11143	GASKET	SEA WATER PUMP TO TIMING COVER	1
25- 1	16423	PUMP	SEA WATER-RUBBER IMPELLER	1
25- 2	11658	PUMP	SEA WATER-BRONZE GEAR-LIFEBOATS	1
25- 3	11830	PUMP	SEA WATER-BELT DRIVEN	1
26	13338	ELBOW	3/8NPT STREET 90	2
27	13519	NIPPLE	HOSE	2
28	11517	HOSE	PUMP TO COOLER-INCHES REQD	24
29	12503	STUD		1
30	12669	GASKET	BLOCK TO FILTER BRACKET	1
31- 1	12687	BRACKET	FILTER TO BLOCK-PROPULSION	1
31- 2	12938	BRACKET	FILTER TO BLOCK-GENSET	1
32	12668	GASKET	LUBE OIL FILTER TO BRACKET	1
33- 1	12330	FILTER	LUBE OIL-CANISTER TYPE-NLA	1
33- 2	32057	FILTER	KIT-CONVERSION TO SPIN-ON FILTER	1
34	12532	SEAL	ROLT TO FILTER CANISTER	1
35	11268	ELEMENT	LUBE OIL FILTER	1
36	12405	GASKET		1
37	14090	FILTER	REMOTE LUBE OIL KIT	1
38	16655	FILTER	LUBE OIL SPIN-ON	1
39	13610	NIPPLE		1
40	11659	BUSHING	REDUCER	2
41	16398	BRACKET	REMOTE OIL FILTER	1
42	13330	ELBOW		2
43	13955	ADAPTER	OIL LINES TO BLOCK	1
44	13348	ADAPTER	OIL LINE	1
45	11925	HOSE	OIL	2

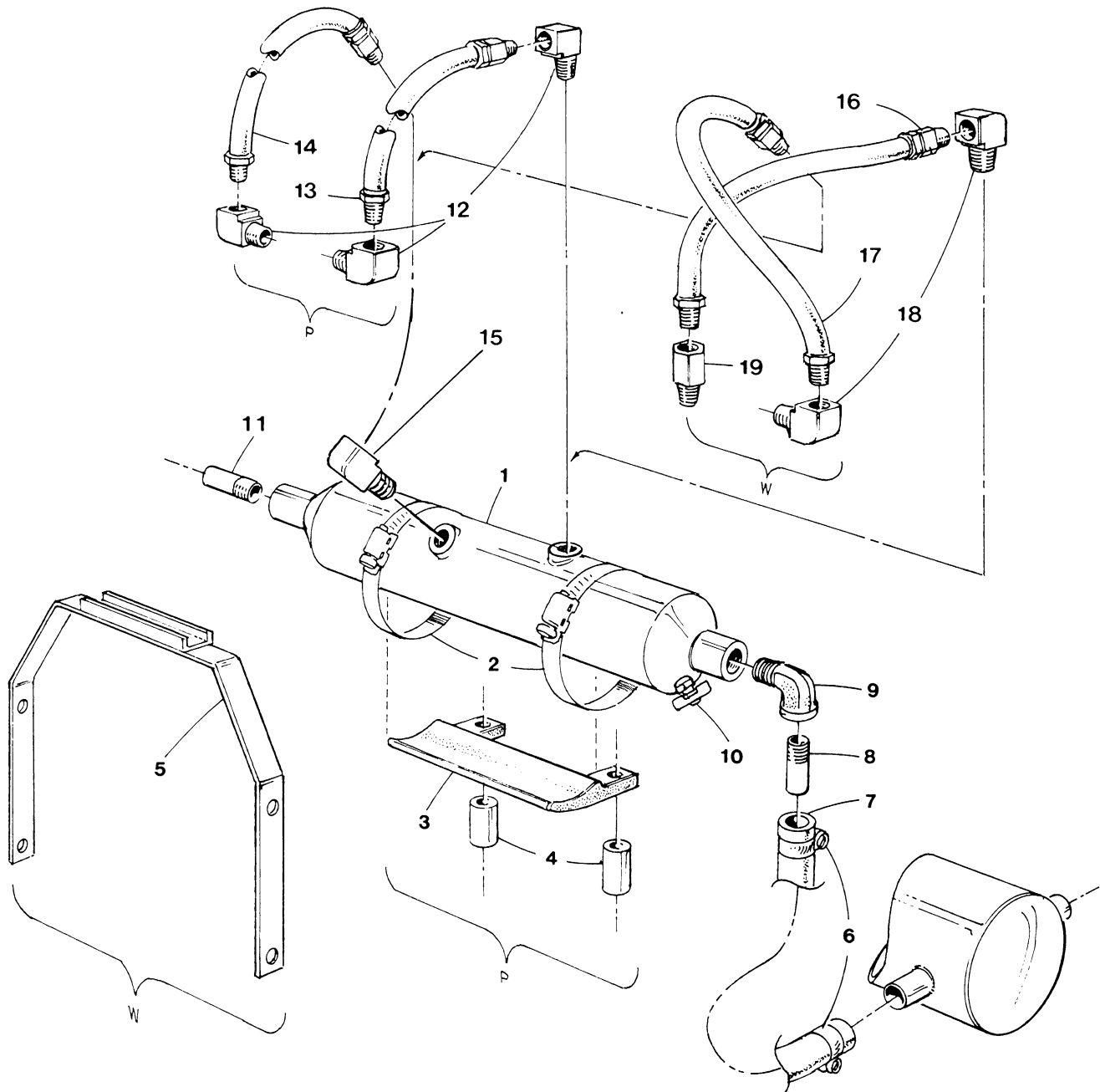
WESTERBEKE 40 - EXHAUST MANIFOLD AND ATTACHMENTS



WESTERBEKE 40 - EXHAUST MANIFOLD AND ATTACHMENTS

REF	PN	NAME	REMARKS	QUAN
1	15985	ELBOW	WATER INJECTED EXHAUST	1
2- 1	11659	BUSHING	REDUCER 1/2NPT TO 3/8NPT	1
2- 2	13519	NIPPLE	HOSE 3/8NPT X 5/8 HOSE	1
3	24207	NIPPLE	1.5NPT X 8	1
4	30060	INSULATOR	EXHAUST NIPPLE	1
5	30058	CLAMP	SPRING-INSULATOR	2
6	13828	FLANGE	EXHAUST 1.5NPT	1
7	14098	ELBOW	WATER JACKETED	1
8	11724	PLUG	RISER DRAIN	1
9	15017	RISER	EXHAUST-SEA WATER JACKETED-NAVY TYPE	1
10	11755	PLUG	EXPANSION	10
11	31764	LOCKWASHER	3/8	1
12	31603	CAPSCREW	3/8NC X 3/4	1
13	13131	BRACKET	EXHAUST RISER SUPPORT	1
14	11128	ELBOW	RISER SEA WATER INLET	1
15	11341	CLAMP	HOSE 8	2
16	21516	HOSE	SEA WATER-WIRE INSERTED-INCHES REQUIRED	8
17	12169	LINE	1.5NPT SS FLEXIBLE EXHAUST	1
18	11019	FLANGE	EXHAUST 1.5NPT 12411 MANIFOLD	1
19	11752	PLUG	1/2NPT SOCKET	3
20	12411	MANIFOLD	EXHAUST	1
21	11612	BUSHING	REDUCER	1
22	11471	PETCOCK		1
23	12502	STUD	MANIFOLD END	4
24	12667	GASKET	MANIFOLD END	1
25	31764	LOCKWASHER	3/8	5
26	31766	NUT	3/8NF	5
27	31758	LOCKWASHER	5/16	4
28	31760	NUT	5/16NF	4
29	14114	MANIFOLD	NLA-REPLACE WITH 15564 MANIFOLD	1
30	12223	GASKET	MANIFOLD END	2
31	12222	PLATE	MANIFOLD END	1
32	11264	STUD		6
33	31758	LOCKWASHER	5/16	18
34	31760	NUT	5/16NF	18
35	11190	GASKET	MANIFOLD TO ELBOW	1
36	11652	HOSE		1
37	21878	CLAMP	HOSE 20	1
38	12215	ELBOW	MANIFOLD WATER OUTLET-NLA	1
39	11471	PETCOCK		1
40	11263	STUD		12
41	13233	ADAPTER	MANIFOLD TO HEAD-NLA	2
42	11653	GASKET	ADAPTER TO MANIFOLD	2
43	12214	FLANGE	MANIFOLD END-1.5NPT EXHAUST	1
44	11499	CAP	PRESSURE 4PSI	1
45	13329	ELBOW	COOLANT OVERFLOW	1
46	11500	TUBING	OVERFLOW-INCHES REQUIRED	8

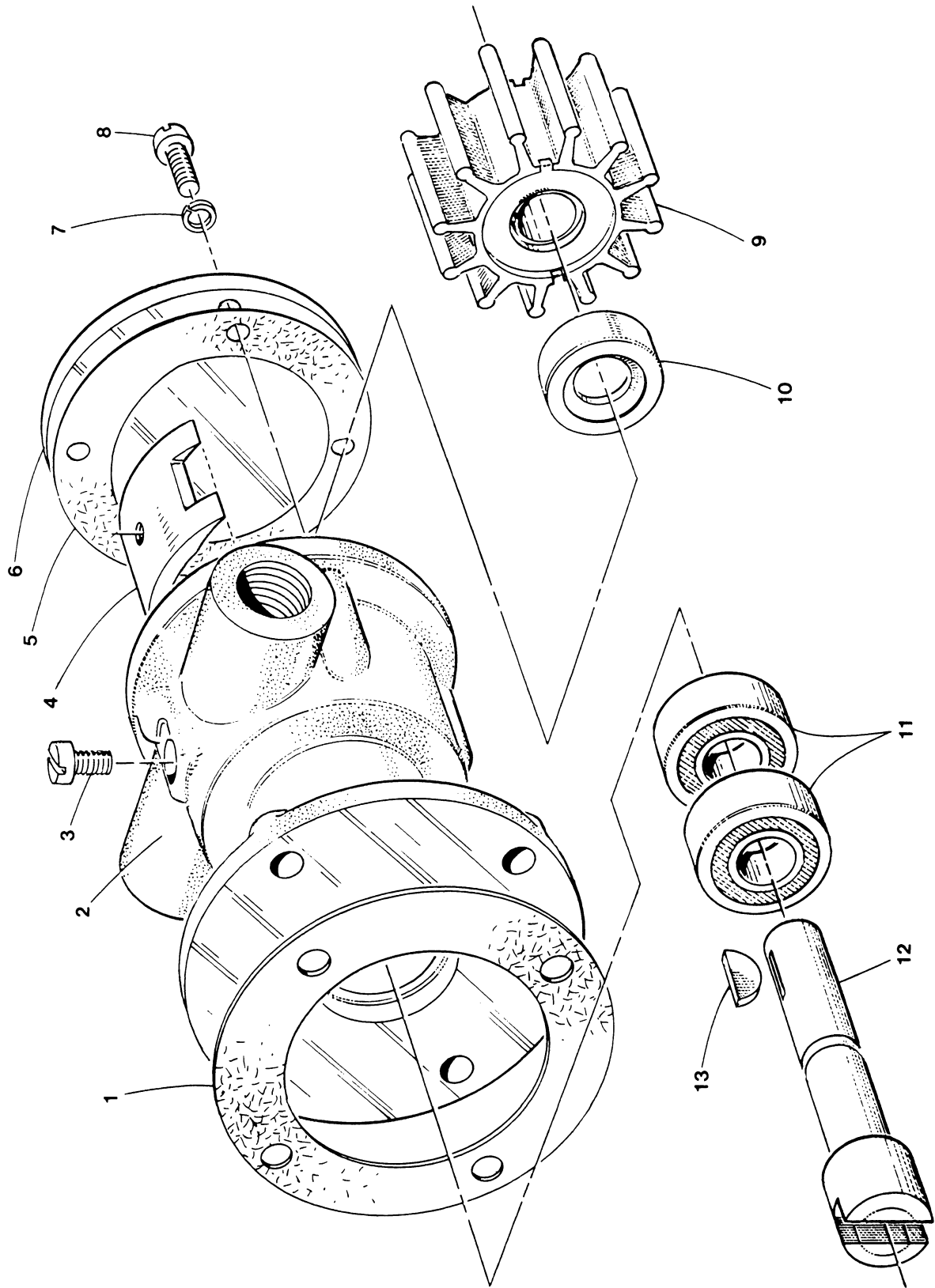
# HYDRAULIC TRANSMISSION OIL COOLER SYSTEM



HYDRAULIC TRANSMISSION OIL COOLER SYSTEM

REF	PN	NAME	REMARKS	QUAN
1	34415	COOLER	OIL	1
2	11411	CLAMP	HOSE-MOUNT COOLER TO BRACKET	2
3	11017	BRACKET	OIL COOLER MOUNT ON PARAGON HYDRAULIC	1
4	13621	SPACER	OIL COOLER MOUNT ON PARAGON HYDRAULIC	2
5	13057	BRACKET	OIL COOLER MOUNT ON WARNER HYDRAULIC	1
6	11341	CLAMP	HOSE	2
7	21516	HOSE	INCHES REQUIRED	14
8- 1	13519	NIPPLE	HOSE 3/8NPT TO 5/8 HOSE	1
8- 2	11659	BUSHING	REDUCER 1/2NPT TO 3/8NPT	1
9	24693	ELBOW	1/2NPT STREET 90	1
10	11471	PETCOCK		1
11	32230	NIPPLE	HOSE 1/2NPT TO 7/8 HOSE	1
12	13330	ADAPTER	ELBOW-PARAGON HYDRAULIC	3
13	22115	HOSE	OIL-LONG-PARAGON HYDRAULIC	1
14	11923	HOSE	OIL-SHORT-PARAGON HYDRAULIC	1
15	13338	ELBOW	3/8NPT STREET 90	1
16	11921	HOSE	OIL-SHORT-WARNER HYDRAULIC	1
17- 1	22114	HOSE	OIL-LONG-WARNER DIRECT DRIVE	1
17- 2	23567	HOSE	OIL-LONG-WARNER REDUCTION	1
18	13330	ADAPTER	ELBOW-WARNER HYDRAULIC	2
19	13348	ADAPTER	WARNER HYDRAULIC	1

WESTERBEKE 40 - SEA WATER PUMP 16423

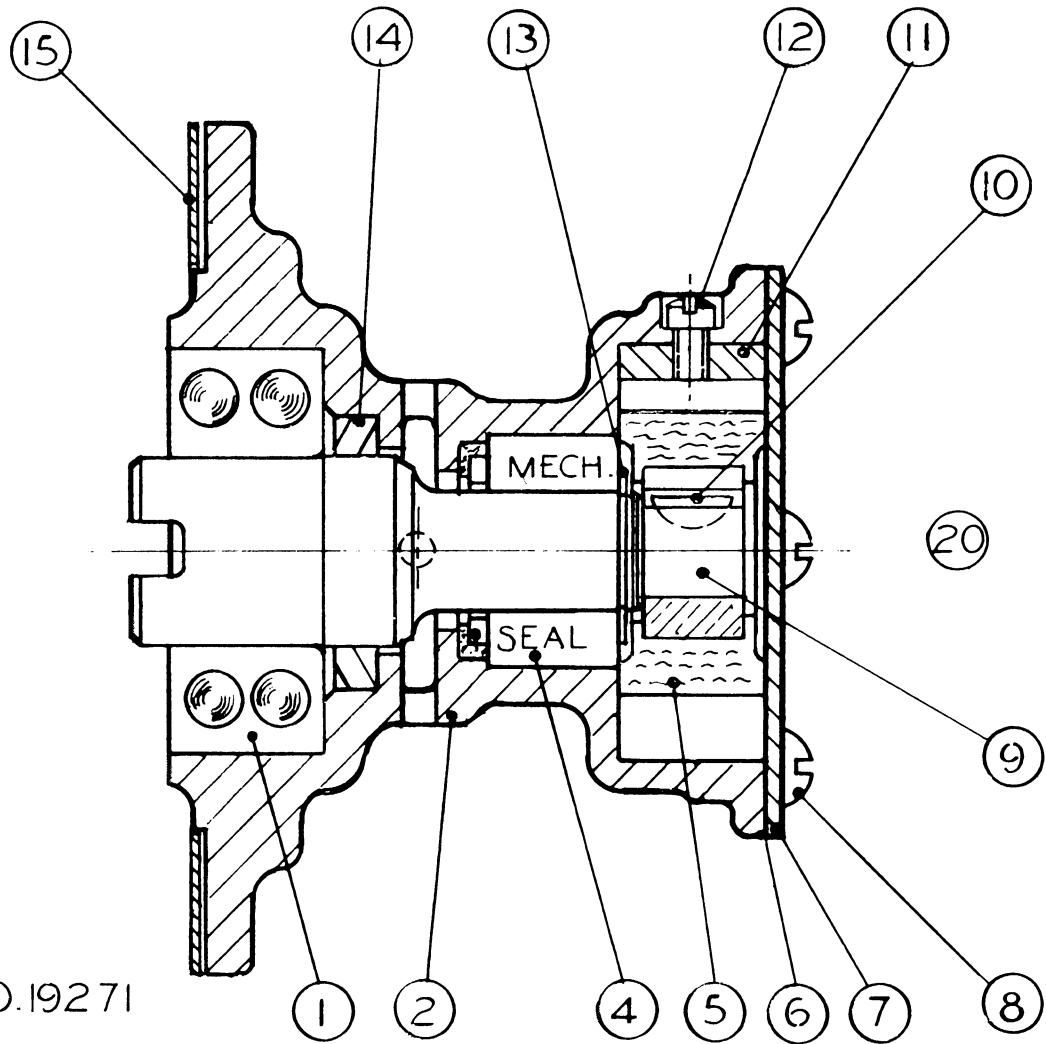


WESTERBEKE 40 - SEA WATER PUMP 16423

REF	PN	NAME	REMARKS	QUAN
1	11143	GASKET	PUMP TO TIMING CASE	1
2- 1	16423	PUMP	COMPLETE	1
2- 2	18169	HOUSING	PUMP BODY	1
2- 3	18172	KIT	MAJOR REPAIR	1
3	18160	SCREW	BRASS-PUMP HOUSING TO CAM	1
4	18152	CAM		1
5	15153	GASKET	IMPELLER COVER	1
6	18171	COVER	IMPELLER	1
7	32183	LOCKWASHER		4
8	18151	SCREW	BRASS	4
9	33104	KIT	IMPELLER AND GASKET	1
10	18159	SEAL		1
11	18170	BEARING		2
12	18176	SHAFT		1
13	18148	KEY	IMPELLER TO SHAFT	1



WESTERBEKE 40 - SEA WATER PUMP 11020

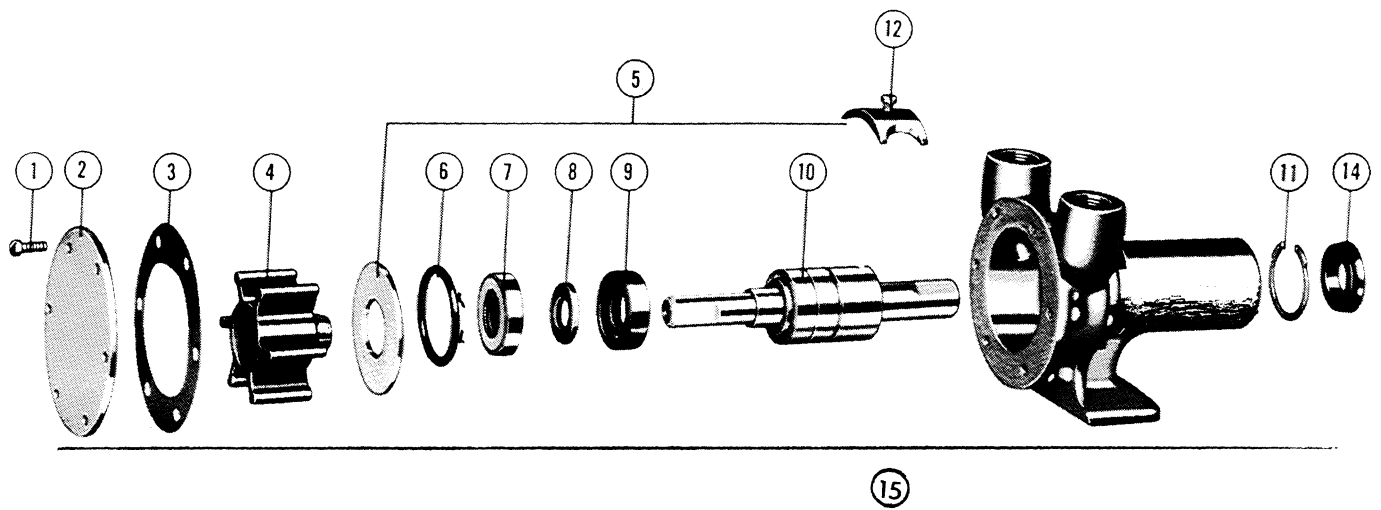


DWG NO.19271

WESTERBEKE 40 - SEA WATER PUMP 11020

REF	PN	NAME	REMARKS	QUAN
1	12910	BEARING	BALL	1
2	12909	HOUSING	PUMP BODY-NLA	1
4	14774	SEAL	WITH SEAT	1
5	11906	KIT	IMPELLER AND GASKET	1
6	11765	GASKET	IMPELLER COVER	1
7	12918	COVER	IMPELLER	1
8	18140	SCREW		6
9	12913	SHAFT		1
10	12915	KEY	IMPELLER TO SHAFT	1
11	12916	CAM		1
12	12917	SCREW	PUMP HOUSING TO CAM	1
13	18145	RING	RETAINING	1
14	18167	SEAL		1
15	11143	GASKET	PUMP TO TIMING CASE	1
20	11020	PUMP	COMPLETE-NLA-USE 16423 PUMP	1

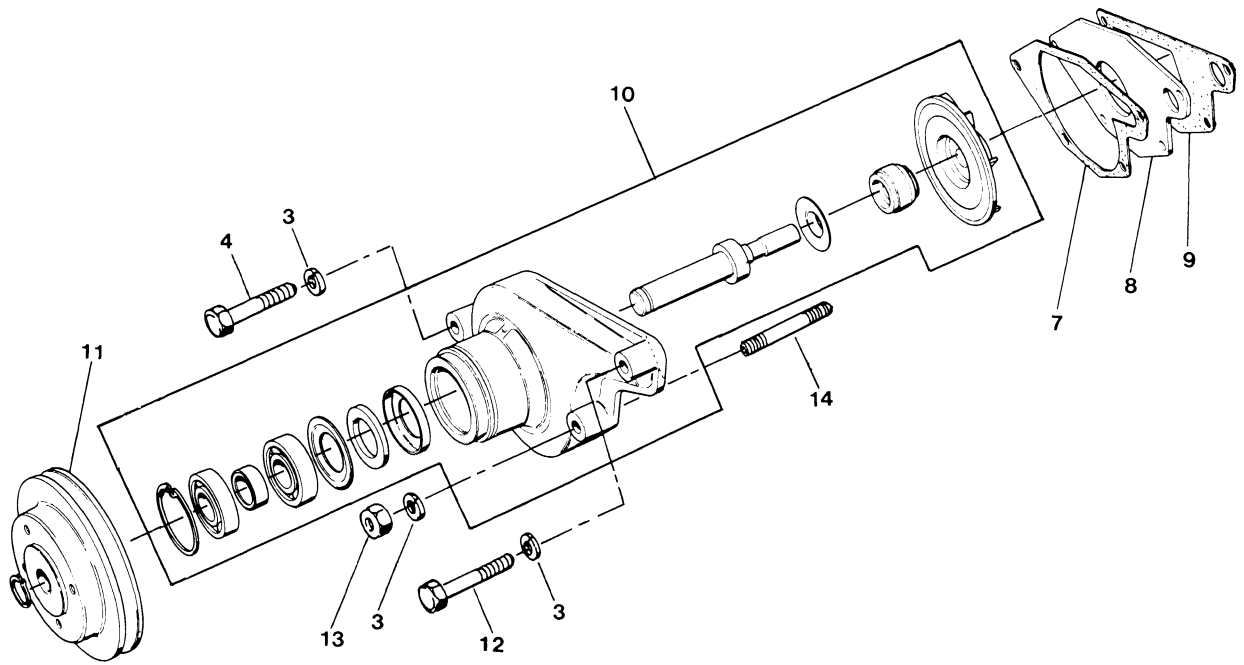
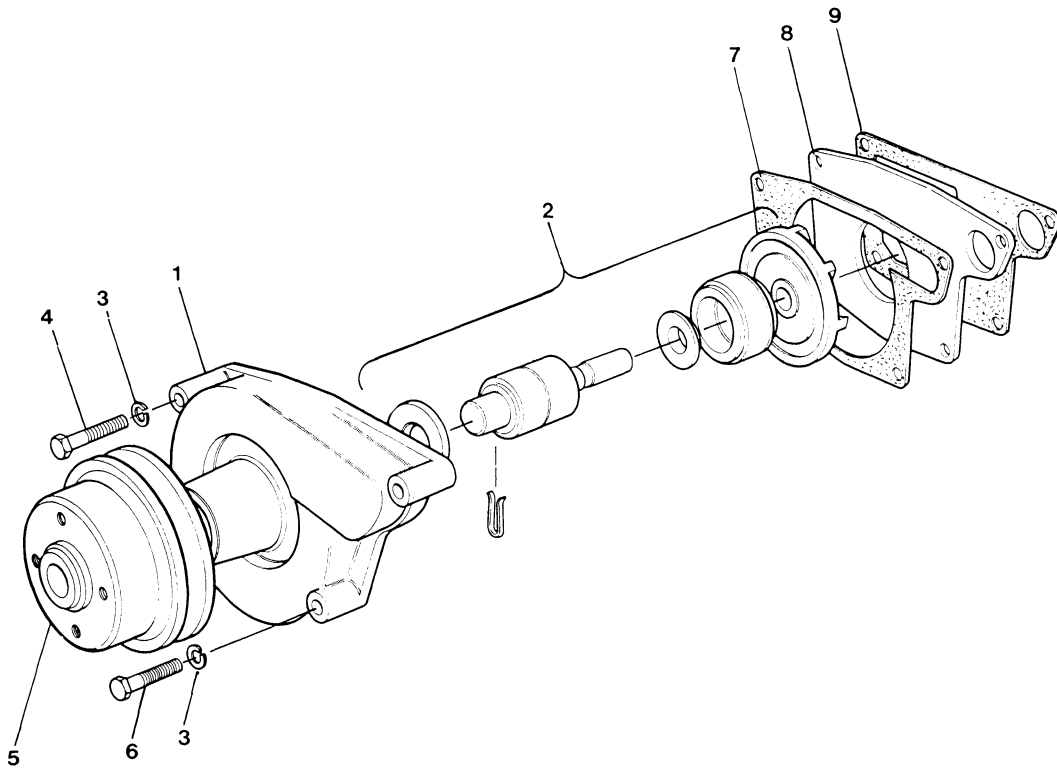
WESTERBEKE 40 - SEA WATER PUMP 11830 - BELT DRIVEN



WESTERBEKE 40 - SEA WATER PUMP 11830 - BELT DRIVEN

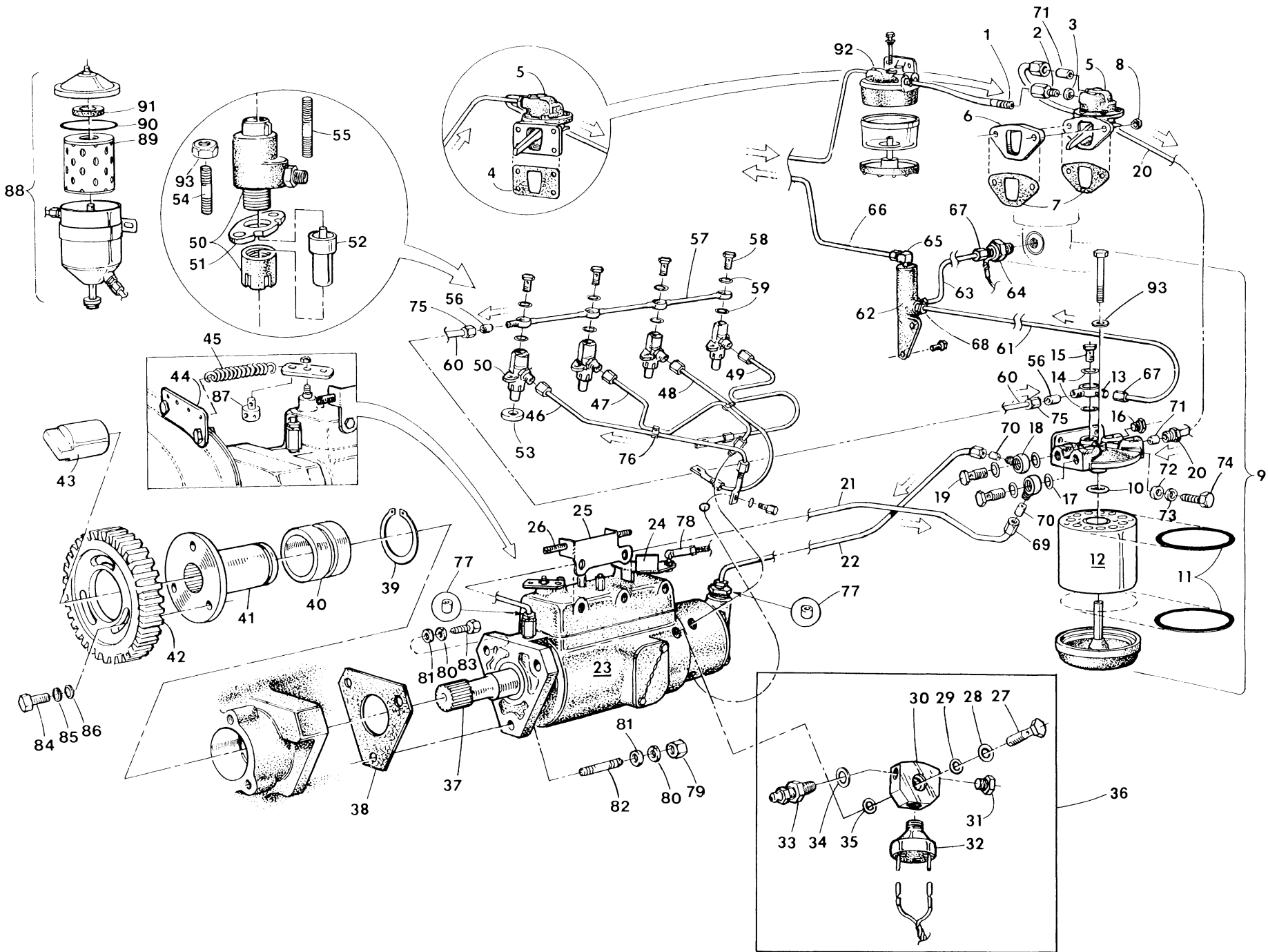
REF	PN	NAME	REMARKS	QUAN
1	18188	SCREW	COVER	6
2	18183	COVER		1
3	18182	GASKET	COVER	1
4	18184	IMPELLER		1
5	18186	CAM	INCLUDING WEAR PLATE	1
6	18191	O-RING		1
7	18193	SEAL	SHAFT	1
8	18181	SLINGER		1
9	18194	SEAL	BEARING-INNER	1
10	18185	SHAFT		1
11	18190	SNAPRING		1
12	18189	SCREW	CAM	1
13	18187	KEY	DRIVE PULLEY TO SHAFT	1
14	18192	SEAL	BEARING-OUTER	1
15- 1	11830	PUMP	COMPLETE	1
15- 2	14768	KIT	IMPELLER AND SEAL REPLACEMENT	1

WESTERBEKE 40 - FRESH WATER PUMP



WESTERBEKE 40 - FRESH WATER PUMP

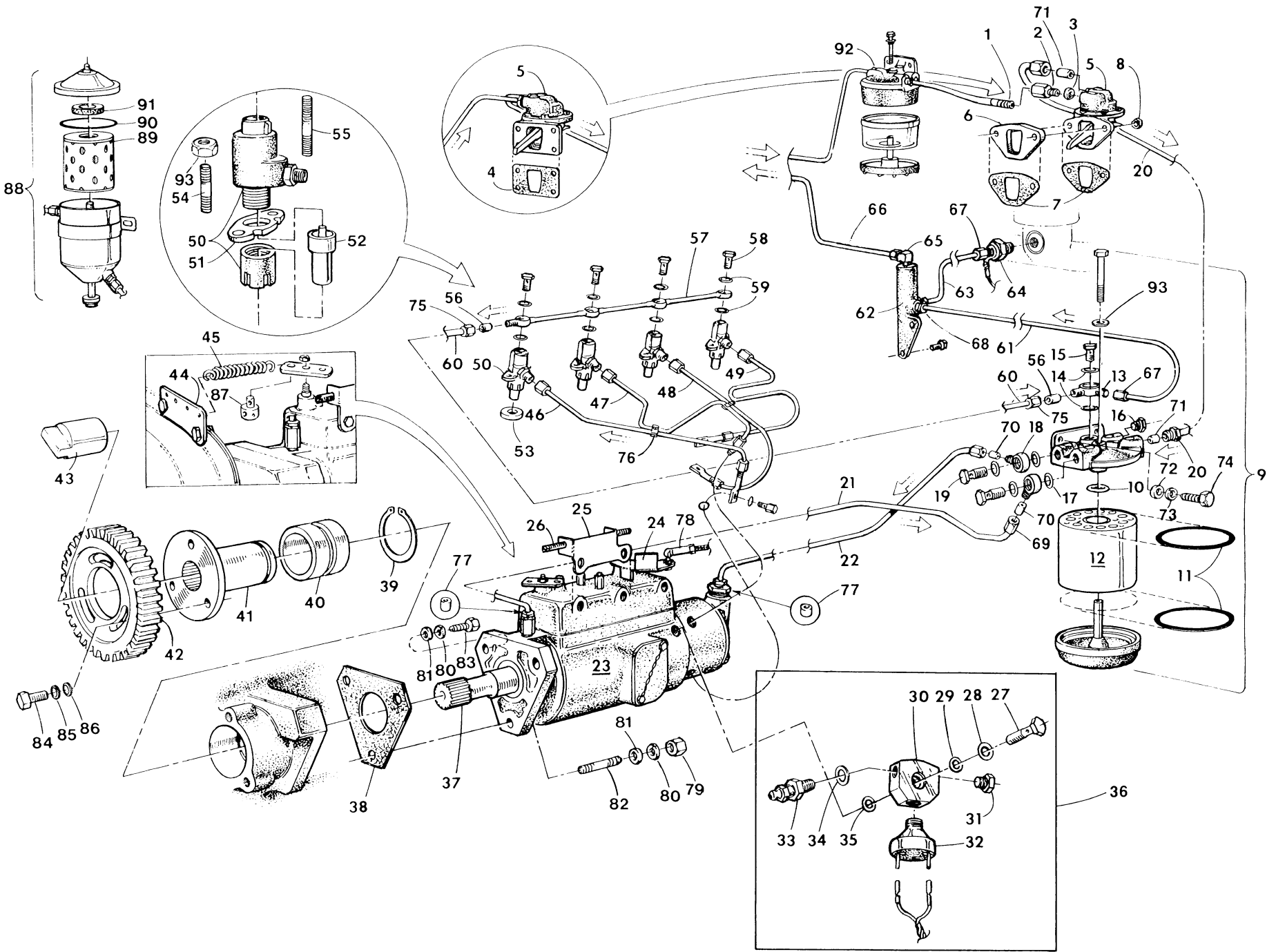
REF	PN	NAME	REMARKS	QUAN
1	12935	PUMP	FRESH WATER S/N 107J	1
2	12932	KIT	PUMP 12935 REPAIR	1
3	31758	LOCKWASHER	5/16	4
4	31584	CAPSCREW	5/16NF X 2	2
5	12459	PULLEY	PUMP 12935	1
6	31583	CAPSCREW	5/16NF X 1-3/4	2
7	12673	GASKET	PUMP TO PLATE	1
8	12655	PLATE	FRESH WATER PUMP TO BLOCK	1
9	12674	GASKET	PLATE TO BLOCK	1
10- 1	20035	PUMP	FRESH WATER S/N 108J & ED	1
10- 2	19933	KIT	PUMP 20035 REPAIR	1
11	19987	PULLEY	PUMP 20035	1
12	31583	CAPSCREW	5/16NF X 1-3/4	1
13	31760	NUT	5/16NF	1
14	35388	STUD	5/16NF X 2-1/8	1



WESTERBEKE 40 - FUEL SYSTEM

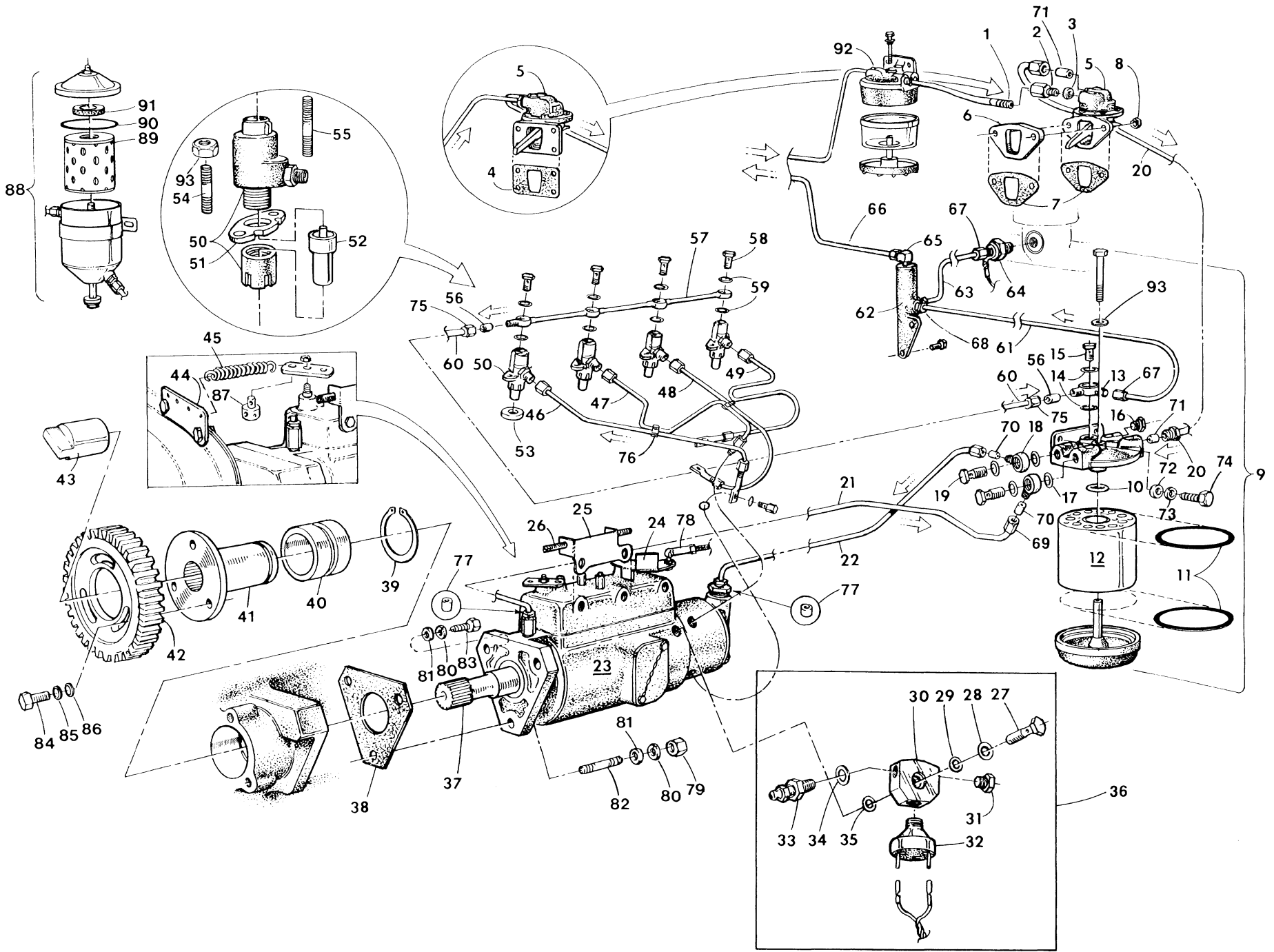
REF	PN	NAME	REMARKS	QUAN
1	23909	HOSE	FUEL SUPPLY	1
2	31062	VALVE	CHECK	1
3	31061	WASHER	SEALING	1
4	16245	GASKET	4 STUD LIFT PUMP	1
5- 1	11700	PUMP	FUEL LIFT 2 STUD	1
5- 2	16443	PUMP	FUEL LIFT 4 STUD	1
5- 3	12579	KIT	FUEL LIFT PUMP REPAIR-2 STUD	1
5- 4	35125	KIT	FUEL LIFT PUMP REPAIR-4 STUD	1
6	12379	SPACER	2 STUD LIFT PUMP TO BLOCK	1
7	12670	GASKET	2 STUD LIFT PUMP	2
8- 1	12269	NUT	5/16NC	2
8- 2	12269	NUT	5/16NC	4
9	19509	FILTER	FUEL	1
10		O-RING	FUEL FILTER SEE REF 12	1
11		GASKET SET	FUEL FILTER SEE REF 12	1
12	14776	ELEMENT	FULE FILTER INCL REF 10-11	1
13	11936	BANJO	FUEL RETURN	1
14	11944	WASHER	BANJO	2
15	12351	BOLT	BANJO	1
16- 1	19505	PLUG	FUEL FILTER UNUSED PORT	1
16- 2	19507	WASHER	FUEL FILTER PLUG	1
17	12522	WASHER	BANJO	4
18	11941	BANJO	FILTER TO INJECTION PUMP LINES	2
19	12350	BOLT	BANJO	2
20	19511	LINE	LIFT PUMP TO FILTER	1
21	14814	LINE	INJECTION PUMP TO FILTER	1
22	14813	LINE	FILTER TO INJECTION PUMP	1
23- 1	13784	PUMP	INJECTION-HYDRAULIC-PROPULSION	1
23- 2	14680	PUMP	INJECTION-MECHANICAL-PROP TO 107U6037	1
23- 3	14679	PUMP	INJECTION-MECHANICAL-GENSET TO 107U6037	1
23- 4	14678	PUMP	INJECTION-MECHANICAL-PROP FROM 107U6038	1
23- 5	14679	PUMP	INJECTION-MECHANICAL-GENSET FR 107U6038	1
24	16034	LEVER	THROTTLE	1
25	16033	BRACKET	IDLE SCREW	1
26	16539	SCREW	IDLE ADJUSTING	1
27	19187	SCREW	ADAPTER TO PUMP	1
28	19442	WASHER		1
29	19320	O-RING		1
30	19185	ADAPTER	FUEL PRESSURE SWITCH	1
31	11615	PLUG	1/8NPT	1
32	33348	SWITCH		1
33	19204	SCREW	BLEED ASSEMBLY	1
34	19261	WASHER		1
35	19321	O-RING		1
36	24214	KIT	FUEL PRESSURE SWITCH REF 27-35	1
37	14744	SHAFT	INJECTION PUMP DRIVE	1
38	12402	GASKET	INJECTION PUMP TO BLOCK	1





WESTERBEKE 40 - FUEL SYSTEM

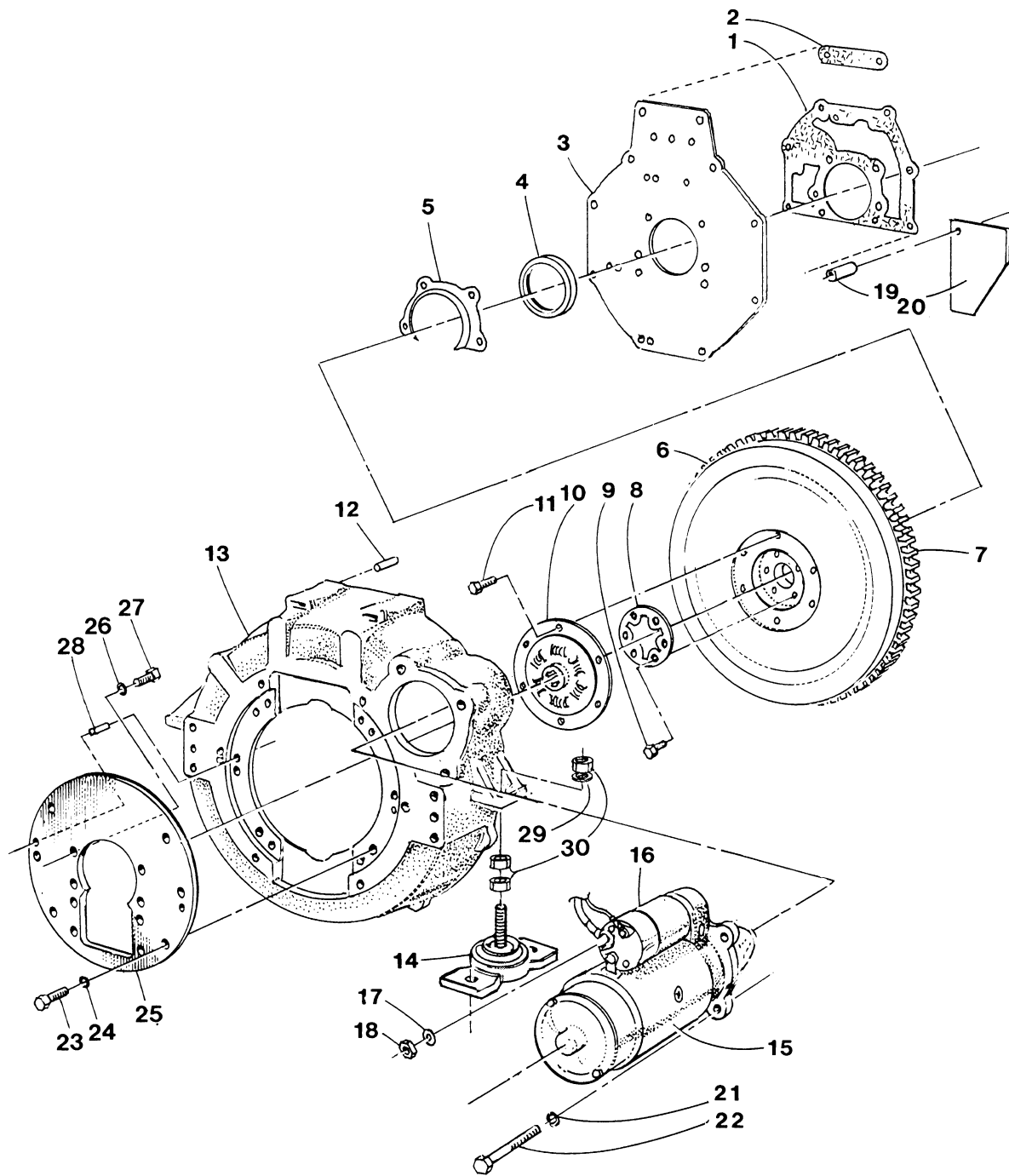
REF	PN	NAME	REMARKS	QUAN
39- 1	12364	CIRCLIP	HUB 12632	1
39- 2	31323	CIRCLIP	HUB 20004	1
40- 1	12332	BEARING	HUB 12632	1
40- 2	31324	BEARING	ASSEMBLY-HUB 20004	1
40- 3	31322	BUSHING	HUB 20004	1
41- 1	12632	HUB	DRIVE TO 107U46015	1
41- 2	20004	HUB	DRIVE FROM 107U46015	1
42	19989	GEAR	INJECTION PUMP DRIVE	1
43- 1	12614	SHAFT	SEA WATER PUMP DRIVE	1
43- 2	23764	SHAFT	SEA WATER PUMP DRIVE 0.001 OS	1
44	19944	BRACKET	STOP LEVER SPRING	1
45	14674	SPRING	STOP LEVER	1
46- 1	14750	LINE	INJECTOR 1 4-99 HYD PUMP	1
46- 2	14769	LINE	INJECTOR 1 4-99 MECH PUMP	1
46- 3	14730	LINE	INJECTOR 1 4-107 HYD PUMP	1
46- 4	12641	LINE	INJECTOR 1 MECH PUMP 107-108-ED	1
47- 1	14751	LINE	INJECTOR 2 4-99 HYD PUMP	1
47- 2	14770	LINE	INJECTOR 2 4-99 MECH PUMP	1
47- 3	14729	LINE	INJECTOR 2 4-107 HYD PUMP	1
47- 4	12645	LINE	INJECTOR 2 MECH PUMP 107-108-ED	1
48- 1	14752	LINE	INJECTOR 3 4-99 HYD PUMP	1
48- 2	14771	LINE	INJECTOR 3 4-99 MECH PUMP	1
48- 3	14727	LINE	INJECTOR 3 4-107 HYD PUMP	1
48- 4	12646	LINE	INJECTOR 3 MECH PUMP 107-108-ED	1
49- 1	14749	LINE	INJECTOR 4 4-99 HYD PUMP	1
49- 2	14772	LINE	INJECTOR 4 4-99 MECH PUMP	1
49- 3	14728	LINE	INJECTOR 4-107 HYD PUMP	1
49- 4	12647	LINE	INJECTOR 4 MECH PUMP 107-108-ED	1
50- 1	11701	INJECTOR	FUEL TO SEPT 1985	4
50- 2	35374	INJECTOR	FUEL FROM SEPT 1985	4
51	12653	FLANGE	INJECTOR MOUNTING	4
52- 1	12694	NOZZLE	INJECTOR 11701 BG	4
52- 2	35375	NOZZLE	INJECTOR 35374 GY	4
53	11945	WASHER		4
54	12495	STUD	INJECTOR-SHORT	4
55	12501	STUD	INJECTOR-LONG	4
56- 1	19500	FERRULE	RUBBER-FUEL LINE	2
56- 2	13343	FERRULE	BRASS-COMPRESSION	2
57	13517	LINE	INJECTOR RETURN	1
58	11935	BOLT	BANJO	4
59	11943	WASHER	BANJO M8	8
60- 1	19510	LINE	INJECTOR RETURN TO FILTER 19509	1
60- 2	13518	LINE	INJECTOR RETURN TO FILTER 12571	1
61	15197	LINE	FILTER TO STANDPIPE	1
62- 1	11014	STANDPIPE		1
62- 2	13755	BRACKET	RAISES STANDPIPE TO CLEAR L-N ALTRN	1
63	23612	LINE	STANDPIPE TO HEATER	1
64	11530	HEATER	MANIFOLD 12VDC	1
65	13345	ELBOW	1/8NPT MALE TO 3/16 COMPRESSION	1



WESTERBEKE 40 - FUEL SYSTEM

REF	PN	NAME	REMARKS	QUAN
66	34857	HOSE	FUEL RETURN	1
67- 1	13343	FERRULE	COMPRESSION 3/16	2
67- 2	13344	NUT	COMPRESSION 3/16	2
68	13346	CONNECTOR	1/8NPT MALE TO 3/16 COMPRESSION	2
69	16676	NUT	COMPRESSION 1/4	2
70	19501	FERRULE	FUEL LINE	2
71	11934	FERRULE	FUEL LINE	2
72	31765	WASHER	FLAT 3/8	2
73	31764	LOCKWASHER	3/8	2
74	31630	CAPSCREW	3/8NF X 1	2
75	13344	NUT	COMPRESSION 3/16	2
76- 1	23920	CLAMP	FUEL LINE	4
76- 2		SCREW	10-32 X 7/8 RH	2
76- 3		NUT	10-32 LOCKING	2
77	11934	FERRULE		2
78	19364	BALL JOINT	THROTTLE CABLE	1
79	31760	NUT	5/16NF	2
80	31758	LOCKWASHER	5/16	3
81	31759	WASHER	FLAT 5/16	3
82	12497	STUD		2
83	12561	CAPSCREW	5/16NF X1-1/4 SOCKET HEAD FULLY THREADED	1
84	31578	CAPSCREW	5/16NF X 3/4	3
85	31758	LOCKWASHER	5/16	3
86	31759	WASHER	FLAT 5/16	3
87	19370	PIVOT	FUEL SHUT-OFF LEVER	1
88	12571	FILTER	FUEL "AC" CANISTER STYLE	
89	11703	ELEMENT	FUEL	1
90		GASKET	INCLUDED IN REF 89	1
91		GASKET	INCLUDED IN REF 89	1
92- 1	11598	FILTER	PRIMARY FUEL-NLA	1
92- 2	32974	FILTER	SEDIMENTER/WATER TRAP	1
93	19442	WASHER		1

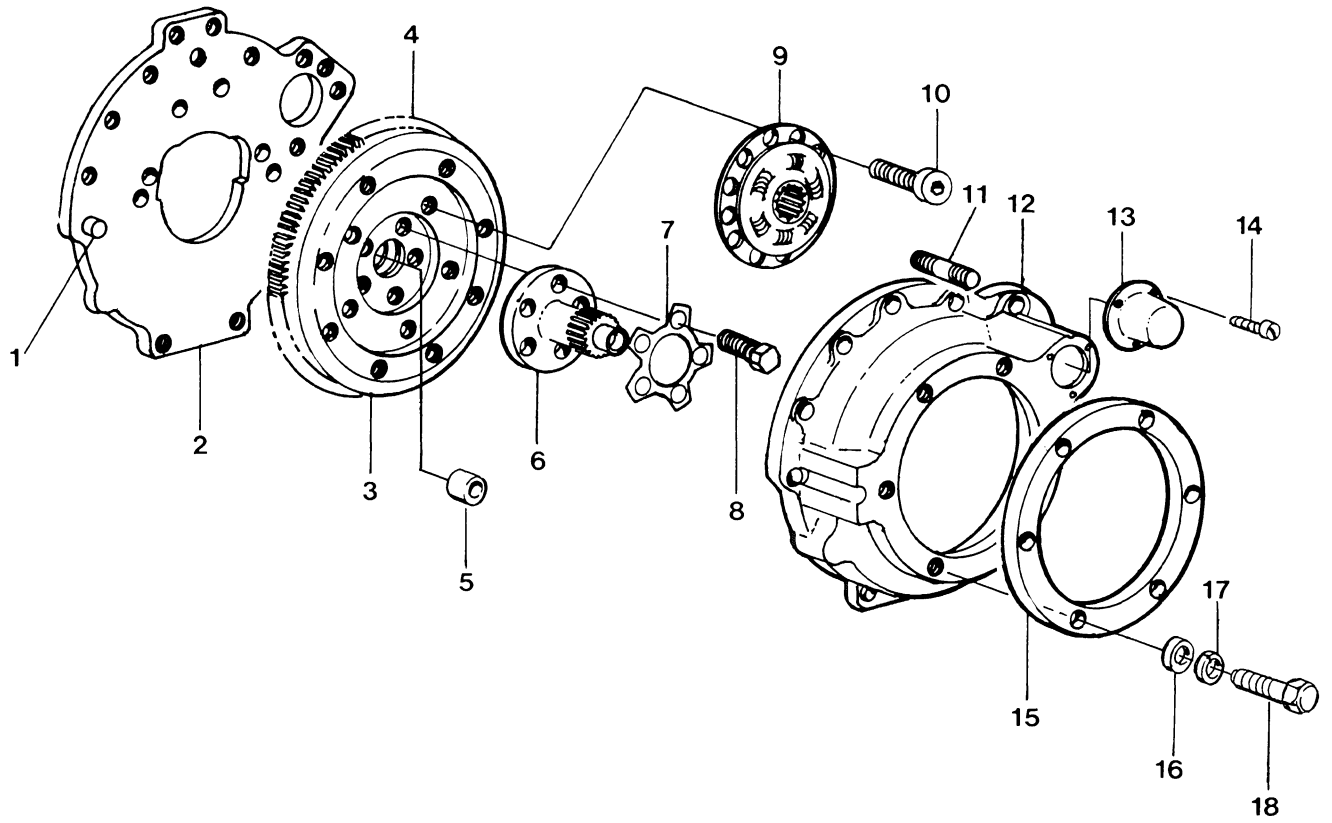
WESTERBEKE 40 - COMMON BACK END



WESTERBEKE 40 - COMMON BACK END

REF	PN	NAME	REMARKS	QUAN
		NOTE	ABSENCE OF A LISTING INDICATES REF NOT USED	
3	23948	BACKPLATE	W40,W52,W58	1
6	24723	FLYWHEEL	WITH RING GEAR-W40	1
7	23579	GEAR	RING	1
8	14720	TABWASHER	W40	1
9		BOLT	FLYWHEEL-W40-7/16NF X 1-1/8 GR-5	5
10- 1	11618	DAMPER	HYDRAULIC,HBW20,HBW220	1
10- 2	19398	DAMPER	HBW10,50,100,150,150V	1
10- 3	30940	DAMPER	BW7	1
11	24778	CAPSCREW	DAMPER TO FLYWHEEL	5
12	19039	DOWEL	HOUSING TO BACKPLATE	2
13- 1	32260	HOUSING	FLYWHEEL-MOUNT 18-20-22.5IN CENTERS	1
13- 2	23606	HOUSING	FLYWHEEL-TO JUNE 82-OBS-USE 32260	1
14	32013	ISOLATOR	REAR-W30,W40,W50,W52	2
15	16762	MOTOR	STARTER INCLUDING SOLENOID	1
16- 1	23338	SOLENOID	STARTER MOTOR 3/8NC STUD TO SEPT 82	1
16- 2	33741	SOLENOID	STARTER MOTOR M10	1
17- 1	16502	LOCKWASHER	BRASS-SOLENOID BATTERY TERMINAL 3/8	1
17- 2	34575	LOCKWASHER	M10 DIN 127B BRONZE	1
18- 1	16091	NUT	BRASS-SOLENOID BATTERY TERMINAL 3/8NC	1
18- 2	32438	NUT	M10 DIN 934	1
19	21722	SPACER	BACKPLATE TO CIRCUIT BREAKER BRACKET	2
20	24065	BRACKET	CIRCUIT BREAKER	1
21	31764	LOCKWASHER	3/8	3
22	31606	CAPSCREW	3/8NC X 1-1/4	3
23	31655	CAPSCREW	7/16NC X 1	6
24	31770	LOCKWASHER	7/16	6
25- 1	31267	ADAPTER	HBW10,50,100,150,BW7	1
25- 2	30063	ADAPTER	HBW150V	1
25- 3	31256	ADAPTER	HBW20,HBW220	1
25- 4	19309	ADAPTER	HBW10,50,100,150-TO NOV 81-NO DOWELS	1
26- 1	31788	LOCKWASHER	M 8 DIN 137B-HBW-BW	6
26- 2	31790	LOCKWASHER	M10 DIN 137B-HBW150V	6
27- 1	20650	CAPSCREW	M 8 X 18 DIN 933-HBW10,50,100,150	6
27- 2	17196	CAPSCREW	M 8 X 20 DIN 933-BW7	6
27- 3	13630	CAPSCREW	M 8 X 25 DIN 933-HBW20,HBW220	6
27- 4	13629	CAPSCREW	M10 X 25 DIN 933-HBW150V	6
28	19039	DOWEL	ALIGN 31267 ADAPTER TO HOUSING	2
29	31827	LOCKWASHER	5/8	2
30	31826	NUT	5/8NF JAM	6

WESTERBEKE 40 - BACK END TO AUG 1979

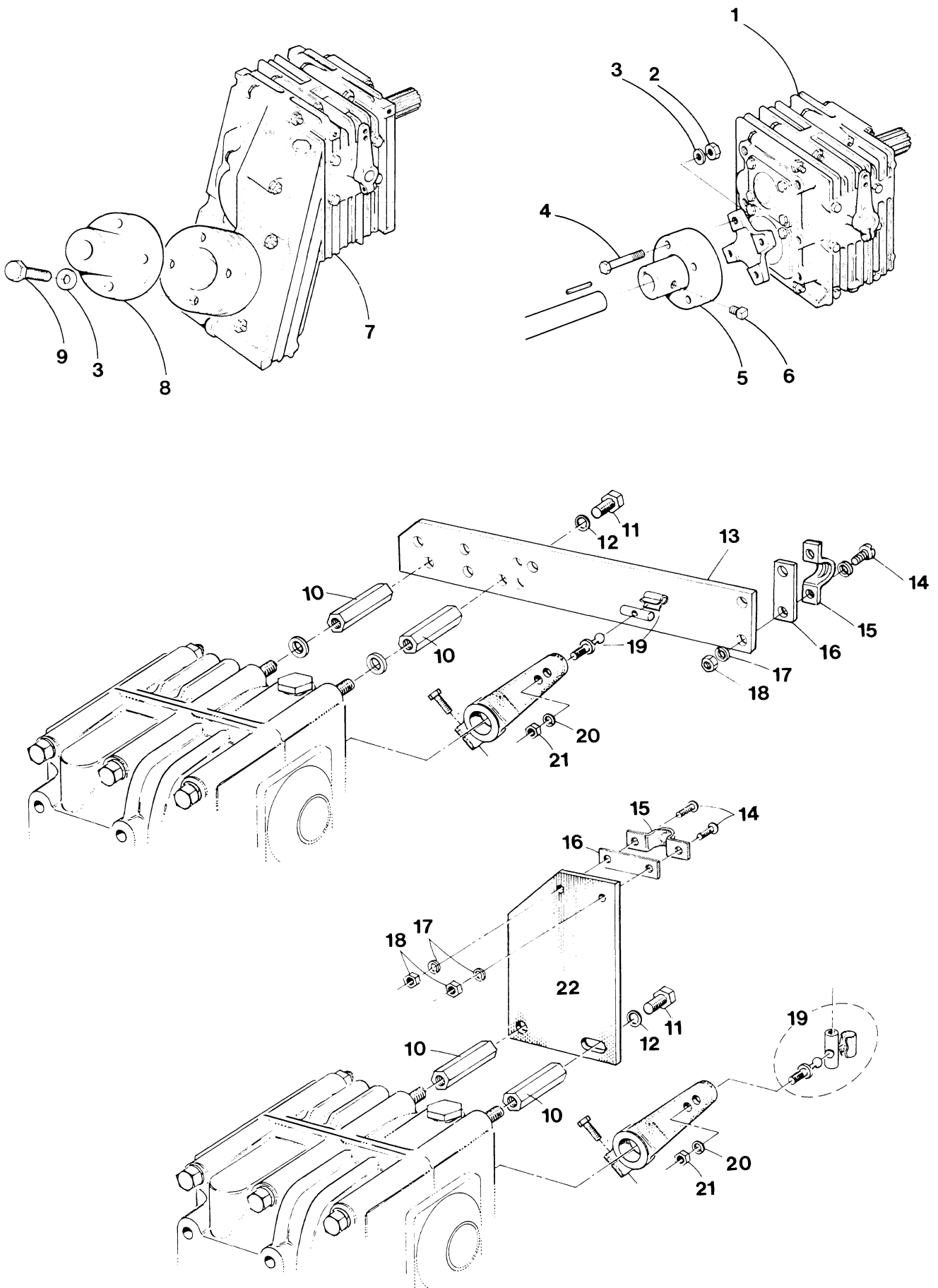


WESTERBEKE 40 - BACK END TO AJG 1979

REF	PN	NAME	REMARKS	QUAN
1	11498	DOWEL	BACKPLATE TO HOUSING	2
2- 1	14074	BACKPLATE	5/8 THICK-SA1 & HYDRAULIC TRANS-NLA	1
2- 2	14099	BACKPLATE	5/8 THICK-RB TRANSMISSION-NLA	1
2- 3	14128	BACKPLATE	1/4 THICK	1
3	24064	FLYWHEEL	WITH RING GEAR	1
4	13F32	GEAR	RING	1
5	16073	BUSHING	SUPPORT SA0 SHAFT IN FLYWHEEL	1
6	14311	SHAFT	FLYWHEEL TO SA1 TRANSMISSION	1
7	14720	TABWASHER	FLYWHEEL BOLTS	1
8		CAPSCREW	7/16NF	5
9- 1	11618	DAMPER	HYDRAULIC TRANSMISSION	1
9- 2	13880	DAMPER	RB TRANSMISSION	1
9- 3	19398	DAMPER	HBW TRANSMISSION	1
10	24778	SCREW	DAMPER TO FLYWHEEL	5
11- 1	12506	STUD	3/8NC X 3/8NF X 1-1/4 STARTER	1
11- 2	12505	STUD	3/8NC X 3/8NF X 1-9/16 STARTER	1
12- 1	14075	HOUSING	FOR 14074 PLATE-SA1 TRANSMISSION-NLA	1
12- 2	15032	HOUSING	FOR 14099 PLATE-RB TRANSMISSION	1
12- 3	15044	HOUSING	FOR 14128 PLATE-SA1 TRANSMISSION-NLA	1
12- 4	15045	HOUSING	FOR 14128 PLATE-HYD. TRANSMISSION-NLA	1
12- 5	15046	HOUSING	FOR 14128 PLATE-RB TRANSMISSION-NLA	1
12- 6	16076	HOUSING	FOR 14128 PLATE-UNIVERSAL FROM 1975	1
13	12618	COVER	STARTER PINION	1
14	31871	SCREW	10-32 X 3/8	3
15	11023	ADAPTER	SA1 HOUSING TO ACCEPT HYDRAULIC TRANS.	1
16	31765	WASHER	FLAT 3/8	6
17	31764	LOCKWASHER	3/8	6
18	31606	CAPSCREW	3/8NC X 1-1/4	6



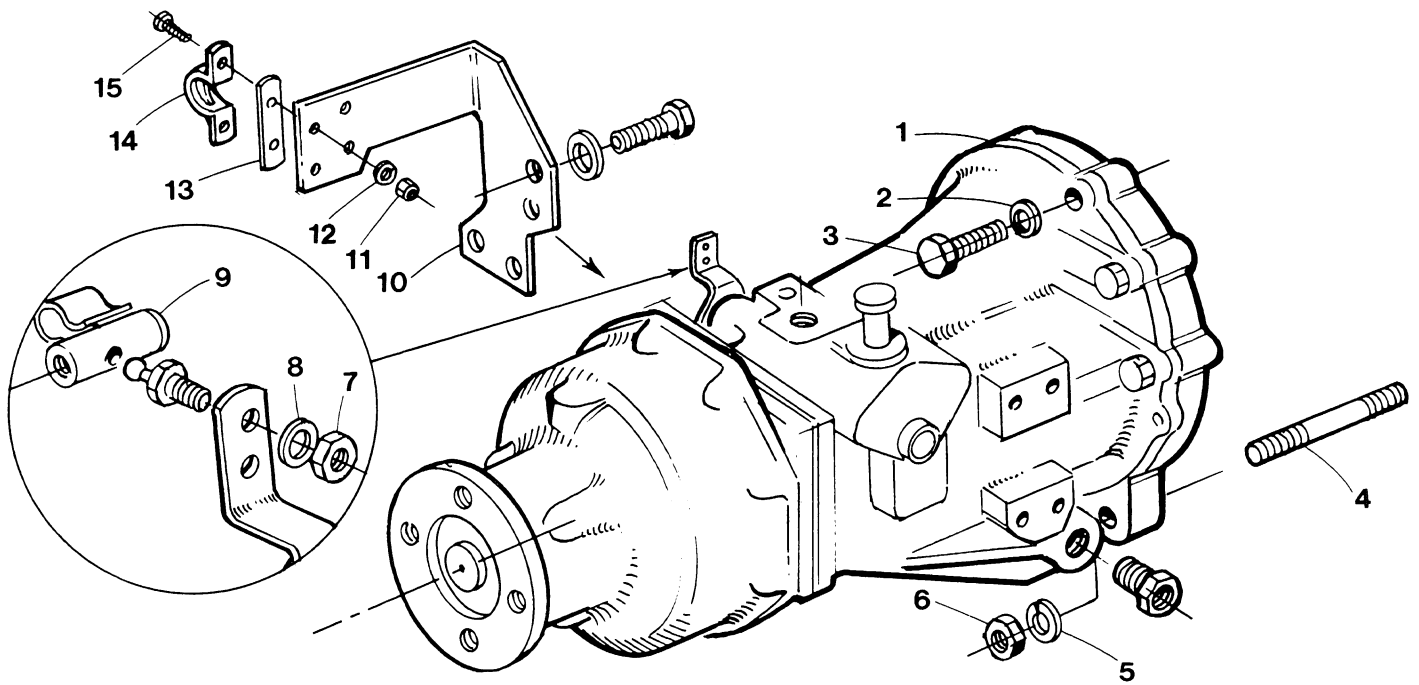
WESTERBEKE 40 - HBW TRANSMISSION



WESTERBEKE 40 - HBW TRANSMISSION

REF	PN	NAME	REMARKS	QUAN
1- 1	30140	HBW GEAR	MODEL 100 1.5 TO 1	1
1- 2	24630	HBW GEAR	MODEL 100 1.8 TO 1	1
1- 3	30049	HBW GEAR	MODEL 150 2.6 TO 1	1
2	24950	NUT	M10 X 1.25 DIN 934	4
3	19262	LOCKWASHER	M10 DIN 127	4
4	31228	CAPSCREW	M10 X 1.25 X 30 DIN 961	4
5- 1	23679	COUPLING	4 IN DIA-BORE 0.75	1
5- 2	23680	COUPLING	4 IN DIA-BORE 0.875	1
5- 3	23681	COUPLING	4 IN DIA-BORE 1.0	1
5- 4	23682	COUPLING	4 IN DIA-BORE 1.125	1
5- 5	23683	COUPLING	4 IN DIA-BORE 1.25	1
5- 6	23684	COUPLING	4 IN DIA-BORE 1.375	1
5- 7	23685	COUPLING	4 IN DIA-BORE 1.5	1
5- 8	23686	COUPLING	5 IN DIA-BORE 1.0	1
5- 9	23687	COUPLING	5 IN DIA-BORE 1.125	1
5-10	23688	COUPLING	5 IN DIA-BORE 1.25	1
5-11	23689	COUPLING	5 IN DIA-BORE 1.375	1
5-12	23690	COUPLING	5 IN DIA-BORE 1.5	1
6- 1	23450	SETSCREW	COUPLING 7/16NC X 1	2
6- 2	23651	SETSCREW	COUPLING 3/8NC X 3/4	2
6- 3	23652	SETSCREW	COUPLING 3/8NC X 1	2
7- 1	31249	HBW GEAR	V-DRIVE 1.8 TO 1	1
7- 2	30048	HBW GEAR	V-DRIVE 2.1 TO 1	1
7- 3	31250	HBW GEAR	V-DRIVE 3.0 TO 1	1
8- 1	23706	COUPLING	HBW V-DRIVE-BORE 0.75	1
8- 2	23707	COUPLING	HBW V-DRIVE-BORE 0.875	1
8- 3	23708	COUPLING	HBW V-DRIVE-BORE 1.0	1
8- 4	23709	COUPLING	HBW V-DRIVE-BORE 1.125	1
8- 5	23710	COUPLING	HBW V-DRIVE-BORE 1.25	1
8- 6	23711	COUPLING	HBW V-DRIVE-BORE 1.375	1
8- 7	23712	COUPLING	HBW V-DRIVE-BORE 1.5	1
9	13629	CAPSCREW	M10 X 25 DIN 933	4
10	30756	NUT	PILLAR-M8	2
11	13630	CAPSCREW	M 8 X 25 DIN 933	2
12	31786	LOCKWASHER	M 8 DIN 127	2
13	32161	BRACKET	SHIFT CABLE-REAR ENTRY	1
14	31873	SCREW	10-32 X 5/8	2
15	13325	CLAMP	CABLE	1
16	13870	SHIM	CABLE CLAMP	1
17	31849	LOCKWASHER	10	2
18	31847	NUT	10-32	2
19	33482	BALL JOINT		1
20	31752	LOCKWASHER	1/4	1
21	31754	NUT	1/4NF	1
22	30181	BRACKET	SHIFT CABLE-TOP ENTRY	1

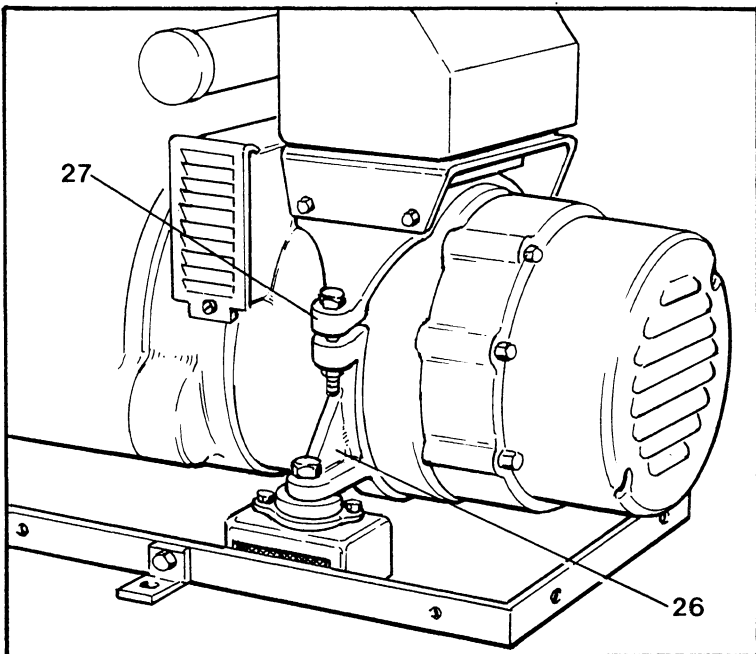
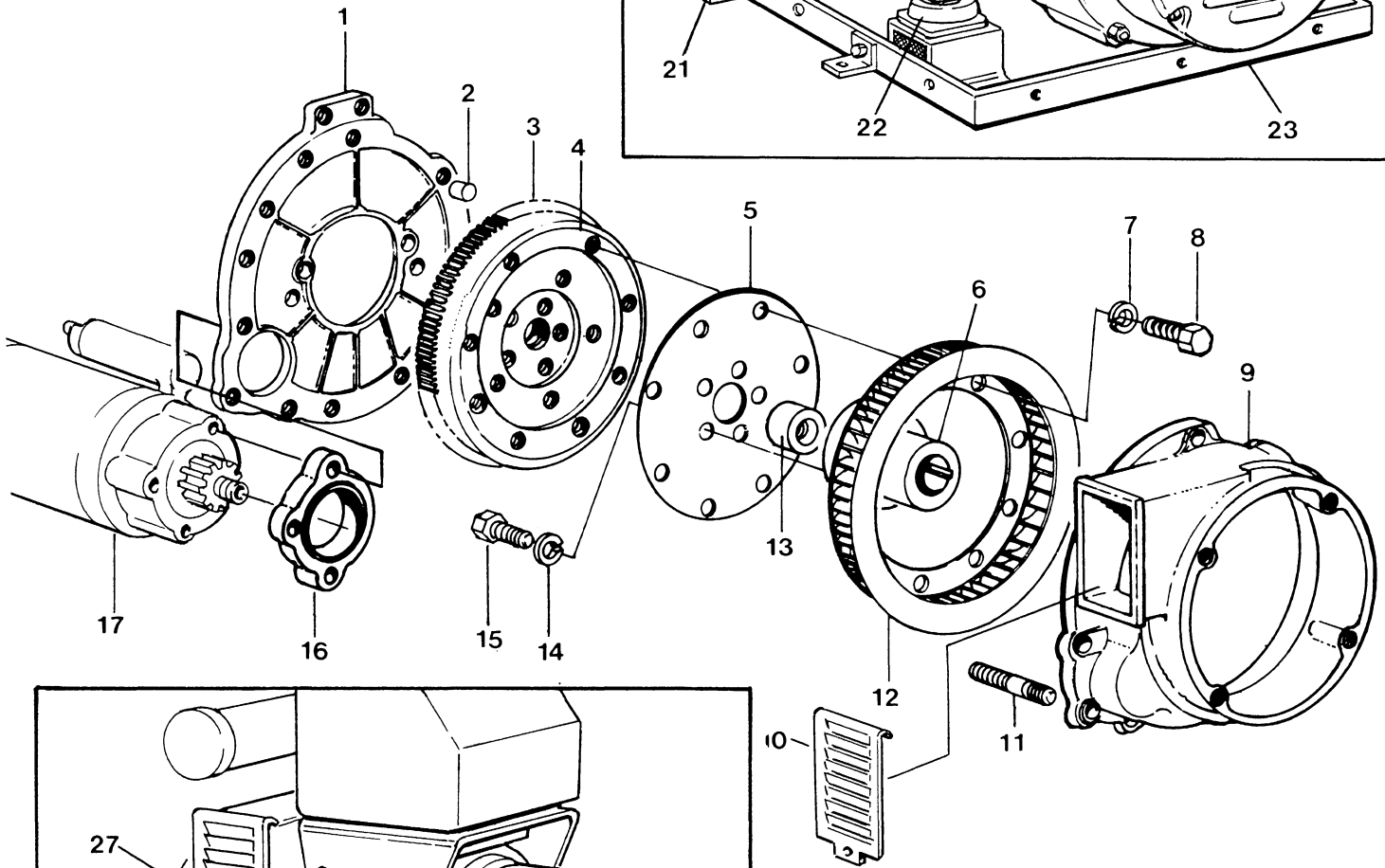
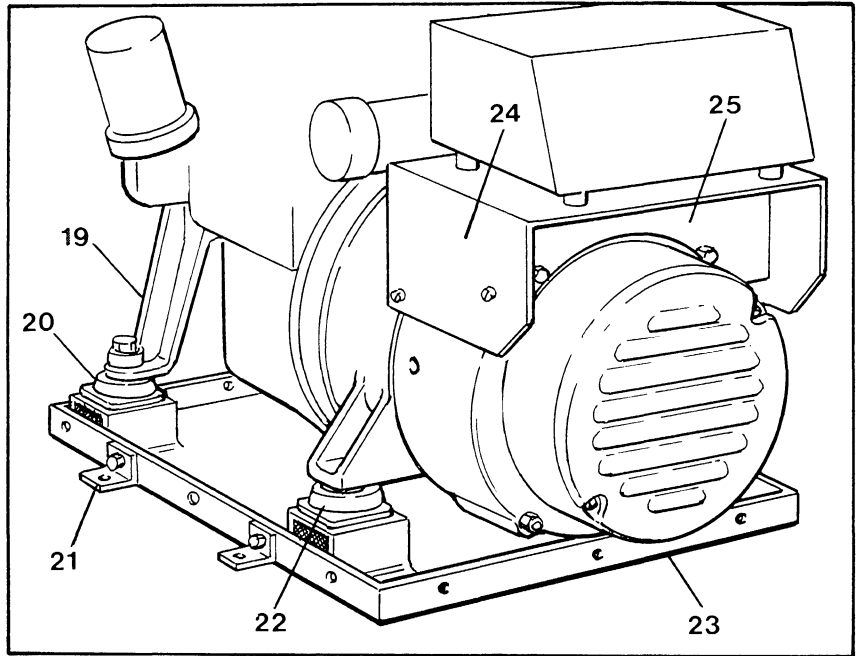
WESTERBEKE 40 - WARNER TRANSMISSION



WESTERBEKE 40 - WARNER TRANSMISSION

REF	PN	NAME	REMARKS	QUAN
1- 1	11630	GEAR	WARNER HYDRAULIC DD	1
1- 2	11631	GEAR	WARNER HYDRAULIC 1.5	1
1- 3	11635	GEAR	WARNER HYDRAULIC 1.9 OPP ROT	1
1- 4	11632	GEAR	WARNER HYDRAULIC 2.0	1
1- 5	11633	GEAR	WARNER HYDRAULIC 2.5	1
1- 6	11634	GEAR	WARNER HYDRAULIC 3.0	1
2	31770	LOCKWASHER	7/16	4
3	31656	CAPSCREW	7/16NC X 1-1/4	4
4	23467	STUD	7/16NC X 4	2
5	31770	LOCKWASHER	7/16	2
6	31768	NUT	7/16NC	2
7	31754	NUT	1/4NF	1
8	31752	LOCKWASHER	1/4	1
9	33482	BALL JOINT		1
10	32315	BRACKET	SHIFT CABLE	1
11	31847	NUT	10-32	2
12	31849	LOCKWASHER	10	2
13	13870	SHIM	CABLE CLAMP	1
14	13325	CLAMP	CABLE	1
15	31873	SCREW	10-32 X 5/8	2
16		COUPLING	SEE REF 5 ON PRIOR PAGE	1

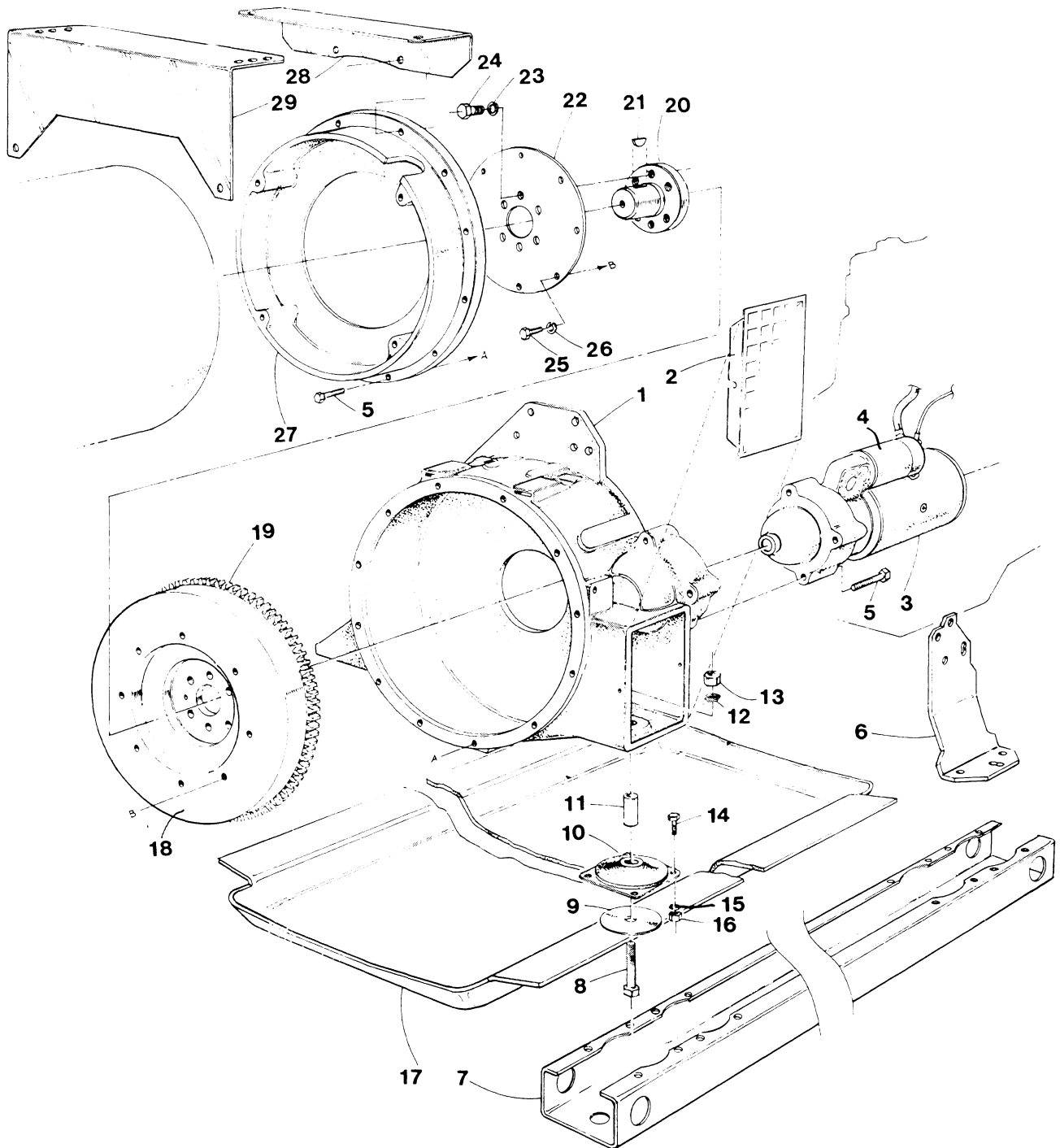
WESTERBEKE 10-15KW GENERATOR BACK END TO AUG 1979



WESTERBEKE 10-15KW GENERATOR BACK END TO AUG 1979

REF	PN	NAME	REMARKS	QUAN
1- 1	14032	BACKPLATE	JC SERIES	1
1- 2	20698	BACKPLATE	YD SERIES	1
2	11498	DOWEL		4
3	13832	GEAR	RING	1
4	24064	FLYWHEEL	WITH RING GEAR	1
5	12004	PLATE	DRIVE	1
6- 1	12070	COUPLING	DRIVE HUB JC SERIES	1
6- 2	20944	COUPLING	DRIVE HUB YD SERIES	1
7	31758	LOCKWASHER	5/16	8
8	31553	CAPSCREW	5/16NC X 3/4	8
9- 1	15011	HOUSING	JC	1
9- 2	23556	HOUSING	YD	1
10	11553	GUARD	AIR DUCT IN	1
11	11137	STUD	STARTER 3/8NC X 3-5/8 JC SERIES	3
12- 1	12001	FAN	JC SERIES	1
12- 2	23610	BAFFLE	YD SERIES	1
13	11086	WASHER	JC SERIES	1
14	31770	LOCKWASHER	7/16	6
15	31678	CAPSCREW	7/16NF X 3/4	6
16- 1	13062	SPACER	STARTER JC SERIES	1
16- 2	23952	SPACER	STARTER YD SERIES	1
16- 3	21688	GASKET		1
17- 1	11488	MOTOR	STARTER JC SERIES	1
17- 2	17939	MOTOR	STARTER JC SERIES	1
17- 3	23953	MOTOR	STARTER YD SERIES	1
18	13142	MOUNT	FRONT RIGHT	1
19- 1	13143	MOUNT	FRONT LEFT	1
19- 2	13003	MOUNT	FRONT LEFT-BELT DRIVEN SEA WATER PUMP	1
20- 1	11523	ISOLATOR	FRONT JC SERIES	2
20- 2	21529	ISOLATOR	FRONT YD SERIES	2
21	11144	BRACKET	SECURE BASE	4
22- 1	11524	ISOLATOR	REAR JC SERIES	2
22- 2	21530	ISOLATOR	REAR YD SERIES	2
23- 1	14047	BASE	JC SERIES	1
23- 2	21503	BASE	YD SERIES	1
24	21888	BRACKET	PANEL MOUNTING YD SERIES	1
25	21500	BRACKET	PANEL SUPPORT YD SERIES	1
26	12988	BAND	MOUNT LOWER JC SERIES	1
27	12925	BAND	MOUNT UPPER JC SERIES	1

WESTERBEKE 10-15KW YD GENERATOR BACK END FROM AUG 1979

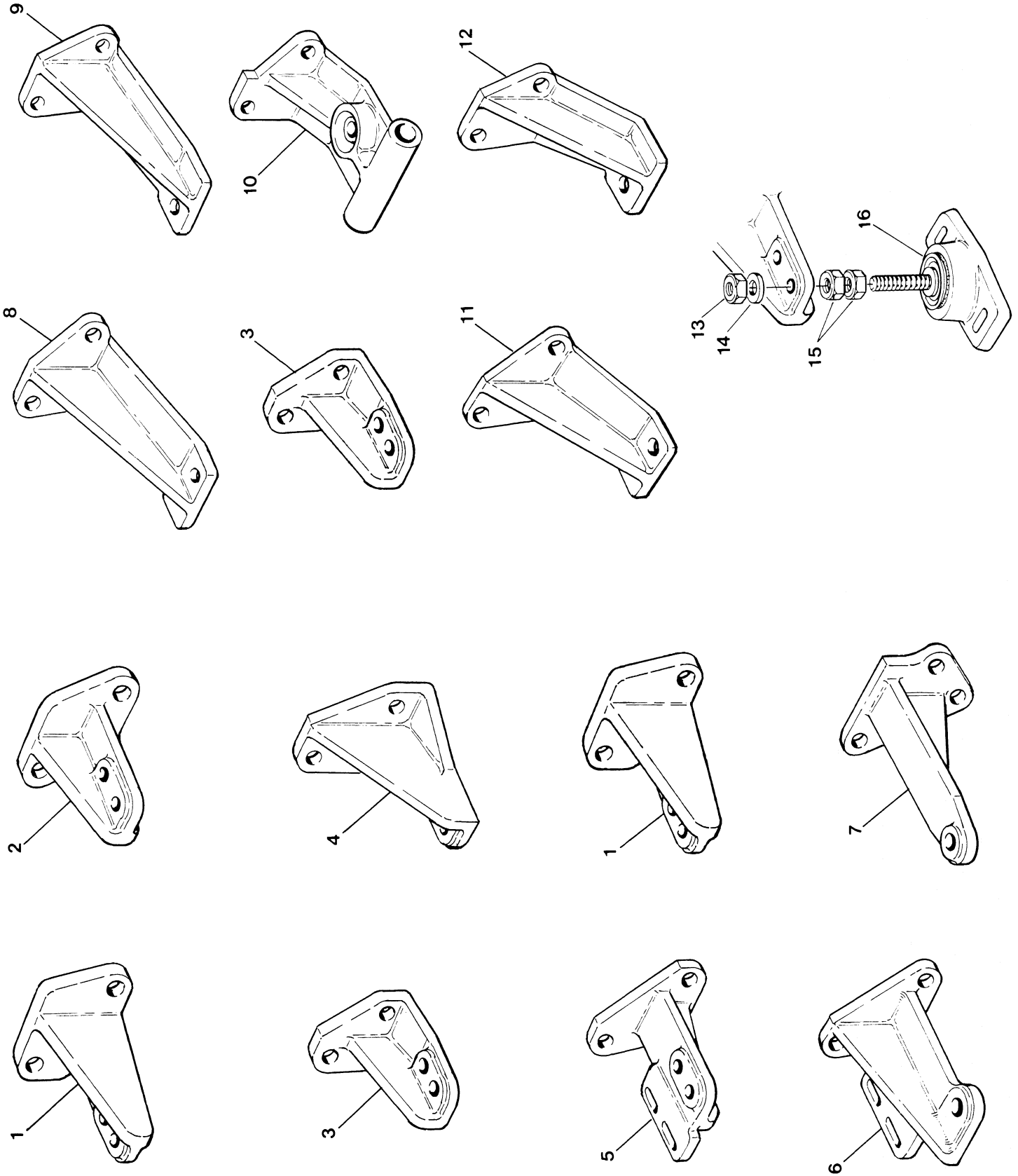


WESTERBEKE 10-15KW YD GENERATOR BACK END FROM AUG 1979

REF	PN	NAME	REMARKS	QUAN
1	24257	HOUSING	FLYWHEEL-SAE-4	1
2	24783	GUARD	AIR DUCT	1
3	23553	MOTOR	STARTER INCLUDING SOLENOID	1
4	23338	SOLENOID	STARTER MOTOR	1
5	31606	CAPSCREW	3/8NC X 1-1/4 WITH LOCKWASHER	15
6	24703	MOUNT	FRONT	2
7	24701	RAIL	MOUNTING	2
8- 1	31711	CAPSCREW	FRONT-WPC 1/2NC X 2-1/2	2
8- 2	31715	CAPSCREW	REAR-WPO 1/2NC X 3-1/2	2
9	24674	WASHER	ISOLATOR CAPTIVATING	4
10- 1	21529	ISOLATOR	FRONT	2
10- 2	15239	ISOLATOR	REAR	2
11	16714	SPACER	WTO MOUNTS	4
12- 1	31777	WASHER	FLAT 1/2	4
12- 2	31776	LOCKWASHER	1/2	4
13	31774	NUT	1/2NC	4
14	31553	CAPSCREW	5/16NC X 3/4	16
15- 1	31759	WASHER	FLAT 5/16	16
15- 2	31758	LOCKWASHER	5/16	16
16	31756	NUT	5/16NC	16
17	24675	TRAY	DRIP	1
18	24727	FLYWHEEL	WITH RING GEAR-WPO	1
19	23579	GEAR	RING	1
20	20944	COUPLING	DRIVE	1
21	21804	KEY	WOODRUFF	1
22	12004	PLATE	DRIVE DISC	1
23	31770	LOCKWASHER	7/16	6
24	31678	CAPSCREW	7/16NF X 3/4	6
25	31553	CAPSCREW	5/16NC X 3/4	8
26	31758	LOCKWASHER	5/16	8
27	23838	ADAPTER	YD ALTERNATOR TO HOUSING	1
28	24679	BRACKET	CONTROL PANEL MOUNT-FRONT	1
29	24699	BRACKET	CONTROL PANEL MOUNT-REAR	1
30	14720	TABWASHER	FLYWHEEL-WPO	1
31		BOLT	FLYWHEEL-WPO-7/16NF X 1-1/8 GR-5	5



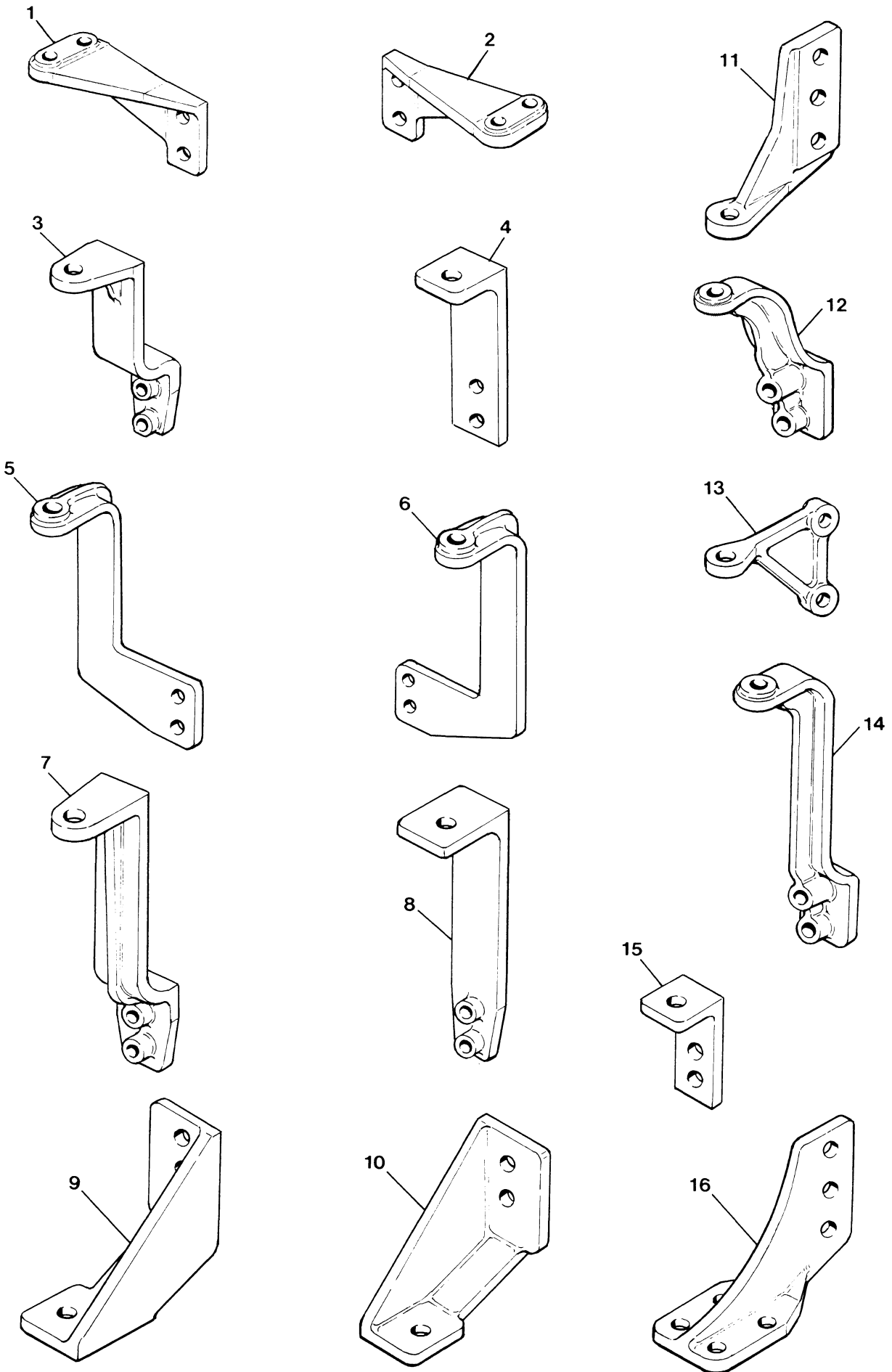
WESTERBEKE 40 - FRONT MOUNTS



WESTERBEKE 40 - FRONT MOUNTS

REF	PN	NAME	REMARKS	QUAN
1	13133	MOUNT	LEFT-STANDARD	1
2	13132	MOUNT	RIGHT-STANDARD	1
3	13140	MOUNT	LEFT-SOLID	1
4	13139	MOUNT	RIGHT-SOLID	1
5	13002	MOUNT	LEFT-BELT DRIVEN SEA WATER PUMP	1
6	13027	MOUNT	LEFT-22.5 CENTERS-BELT SEA PUMP	1
7	13026	MOUNT	RIGHT-22.5 CENTERS	1
8	13137	MOUNT	LEFT-LIFEBOAT 22.5 CENTERS	1
9	13136	MOUNT	RIGHT-LIFEBOAT 22.5 CENTERS	1
10	13274	MOUNT	RIGHT-100 AMP LN ALTERNATOR	1
11	13145	MOUNT	LEFT-LIFEBOAT 18 CENTERS	1
12	13144	MOUNT	RIGHT-LIFEBOAT 18 CENTERS	1
13	31826	NUT	5/8NF-JAM	2
14	31827	LOCKWASHER	5/8	2
15	31826	NUT	5/8NF-JAM	4
16	32013	ISOLATOR		2
17	15779	SPACER	LEFT WITH 13133 FOR 20IN CENTERS	1
18	15778	SPACER	RIGHT WITH 13132 FOR 20IN CENTERS	1

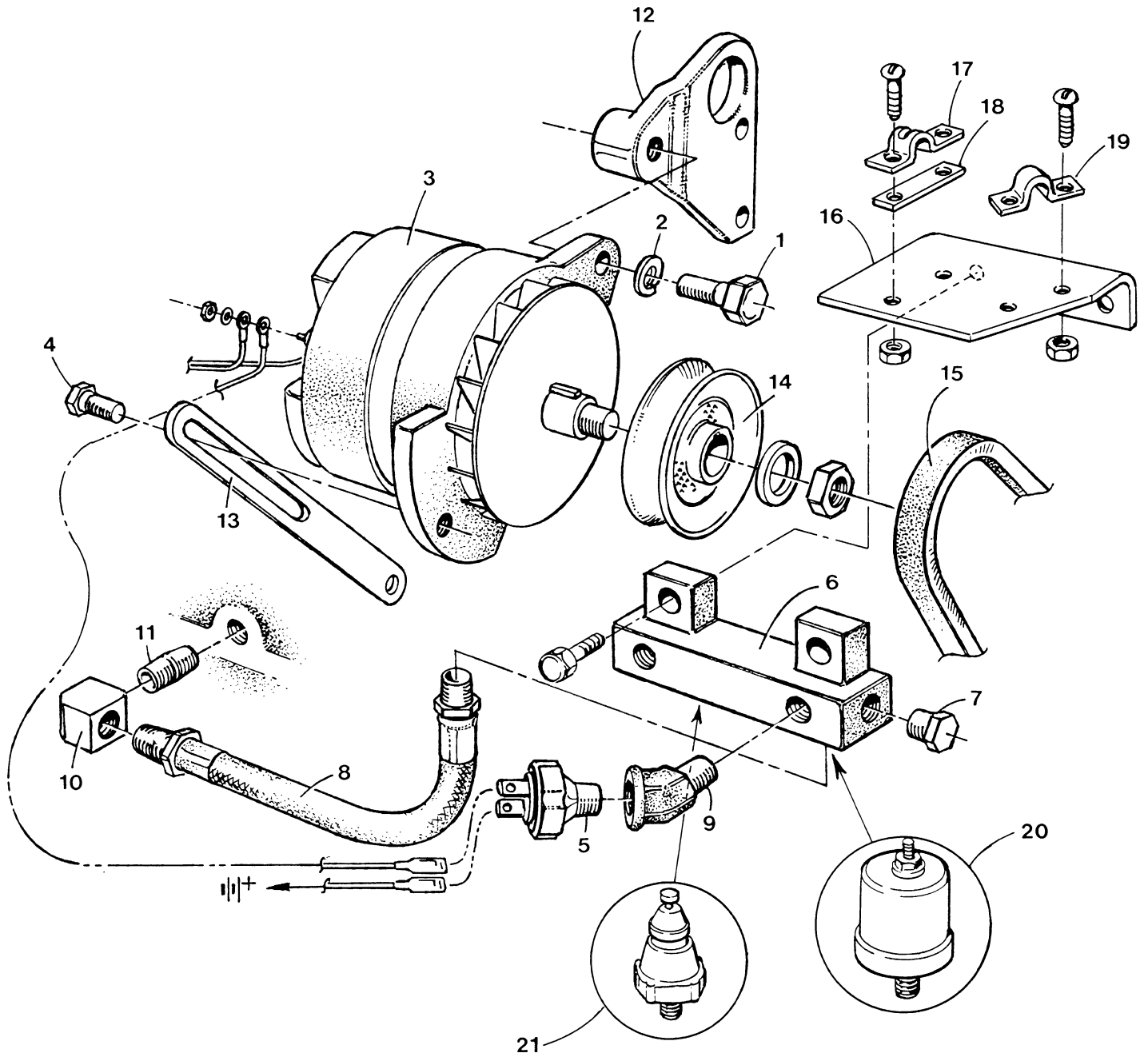
WESTERBEKE 40 - REAR MOUNTS



WESTERBEKE 40 - REAR MOUNTS

REF	PN	NAME	REMARKS	QUAN
1	13123	MOUNT	RIGHT-STANDARD	1
2	13124	MOUNT	LEFT-STANDARD	1
3	12014	MOUNT	RIGHT-RAWSON-HINCKLEY WITH 100AMP LN	1
5	13283	MOUNT	RIGHT-MORGAN-HIGH	1
6	13021	MOUNT	LEFT-MORGAN-HIGH	1
7	21492	MOUNT	RIGHT-HINCKLEY-UNIVERSAL HOUSING	1
8	21494	MOUNT	LEFT-HINCKLEY-UNIVERSAL HOUSING	1
9	13284	MOUNT	RIGHT-LB22.5 CENTERS PRIOR TO COMBCK	1
10	13138	MOUNT	LEFT-LB 22.5 CENTERS PRIOR TO COMBCK	1
11	16040	MOUNT	UNIVERSAL HOUSING 1975-1979 18 CENTERS	2
12	13025	MOUNT	22.5 CENTERS-CHRIS CRAFT	2
13- 1	13221	MOUNT	RB FREEWHEELING TRANSMISSION 18 CENTERS	2
13- 2	20728	SPACER	FOR 20IN CENTERS	2
14	13056	MOUNT	MERCER	2
15	13243	MOUNT	LB-18 CENTERS PRIOR TO COMMON BACK END	2
16	23932	MOUNT	LB-COMMON BACK END 18-22.5 CENTERS	2

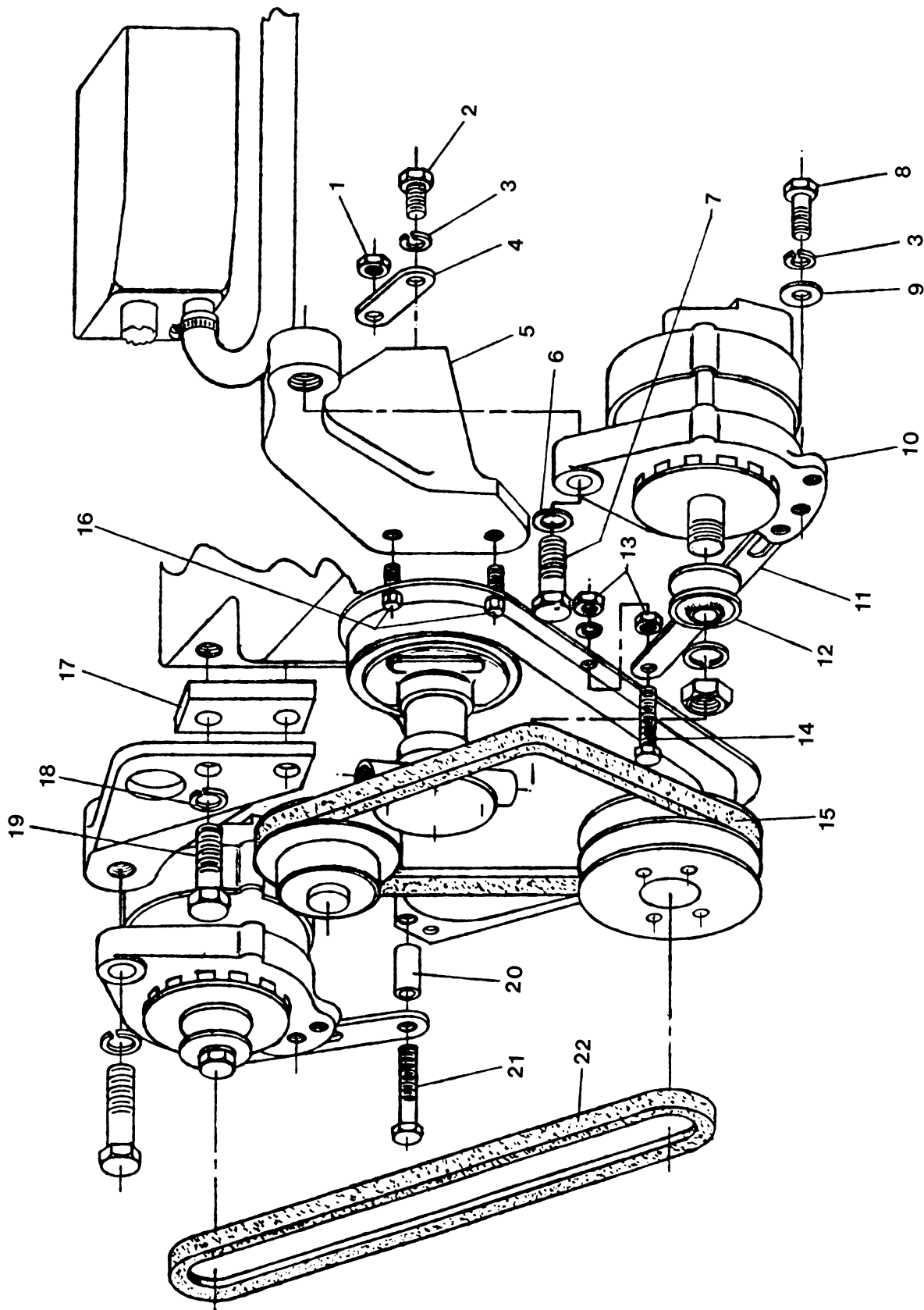
WESTERBEKE 40 - STANDARD ALTERNATOR



WESTERBEKE 40 - STANDARD ALTERNATOR

REF	PN	NAME	REMARKS	QUAN
1	31709	CAPSCREW	1/2NC X 2	1
2	31776	LOCKWASHER	1/2	1
3	24684	ALTERNATOR	51 AMP 12 VDC NEG GROUND	1
4- 1	31554	CAPSCREW	5/16NC X 7/8	1
4- 2	31758	LOCKWASHER	5/16	1
4- 3	33381	WASHER	ADJUSTING STRAP	1
5	11552	SWITCH	OIL PRESSURE-EXCITATION TO 1975	1
6	11969	MANIFOLD	OIL-TO MOUNT SWITCHES	1
7	11615	PLUG	1/8NPT	AR
8	11981	HOSE		1
9	15122	ELBOW	45 DEGREE	1
10	13328	ELBOW	90 DEGREE	1
11	11492	NIPPLE		1
12	12060	BRACKET	ALTERNATOR	1
13	33064	STRAP	ADJUSTING	1
14	11548	PULLEY	ALTERNATOR	1
15	12270	BELT	ALTERNATOR & FRESH WATER PUMP	1
16	12955	BRACKET	CONTROL CABLES	1
17	13325	CLAMP	THROTTLE CABLE	1
18	13870	SHIM	THROTTLE CABLE CLAMP	1
19	13871	CLAMP	SHUT-OFF CABLE	1
20	24132	SENDER	OIL PRESSURE 0-100 PSI	1
21	34761	SWITCH	OIL PRESSURE-ALARM	1

WESTERBEKE 40 - OPTIONAL ALTERNATOR

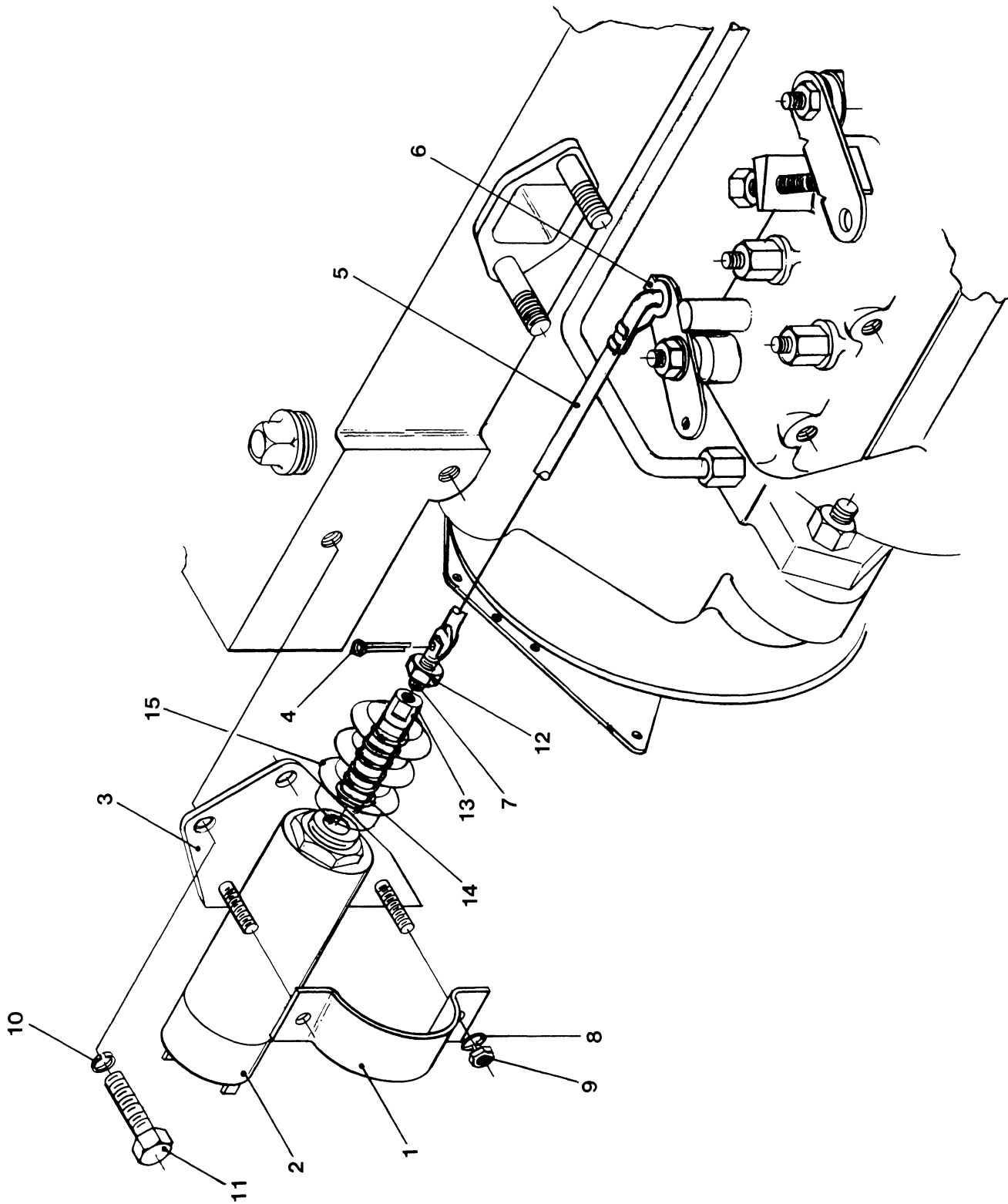


WESTERBEKE 40 - OPTIONAL ALTERNATOR

REF	PN	NAME	REMARKS	QUAN
		NOTE	WHEN AN ALTERNATOR IS MOUNTED IN THE UPPER LEFT POSITION A REMOTE LUBE OIL FILTER MUST BE USED	
1	31760	NUT	5/16NF	1
2	31554	CAPSCREW	5/16NC X 7/8	1
3	31758	LOCKWASHER	5/16	3
4	11242	STRAP	SUPPORT	1
5	13226	BRACKET	51 AMP ALTERNATOR-UP LEFT	1
6	31776	LOCKWASHER	1/2	1
7	31709	CAPSCREW	1/2NC X 2	1
8	31553	CAPSCREW	5/16NC X 3/4	1
9	33381	WASHER	ADJUSTING STRAP	1
10	24684	ALTERNATOR	51 AMP 12 VDC NEG GROUND	1
11	13941	STRAP	ADJUSTING	1
12	11548	PULLEY	ALTERNATOR	1
13	31756	NUT	5/16NC	2
14	31555	CAPSCREW	5/16NC X 1	1
15	13877	BELT		1
16- 1	31553	CAPSCREW	5/16NC X 3/4	2
16- 2	31758	LOCKWASHER	5/16	2
17	15562	SPACER	MOVE STD ALTRN BRACKET FORWARD	1
18	31764	LOCKWASHER	3/8	2
19	31633	CAPSCREW	3/8NF X 1-3/4	2
20	15561	SPACER		1
21	31559	CAPSCREW	5/16NC X 2	1
22	11918	BELT		1
23	15554	DRAWING NOTE	INSTALLATION WHEN EXTRA 51 AMP IS MOUNTED IN THE LOWER RIGHT POSITION REF 24-27 ARE USED	1
24	13237	BRACKET	ALTERNATOR & FRONT MOUNT	1
25	11205	SUPPORT		1
26	11918	BELT	ALTERNATOR	1
27	13941	STRAP NOTE	ADJUSTING WHEN EXTRA 120 AMP IS MOUNTED IN THE LOWER RIGHT POSITION REF 28-30 ARE USED	1
28	14155	BRACKET	ALTERNATOR & FRONT MOUNT	1
29	11672	BELT		2
30	12245	STRAP	ADJUSTING	1



WESTERBEKE 10-15KW GENERATOR FUEL SOLENOID



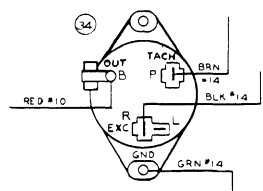
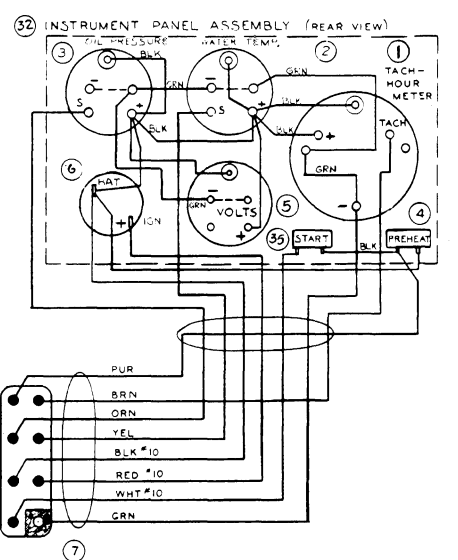
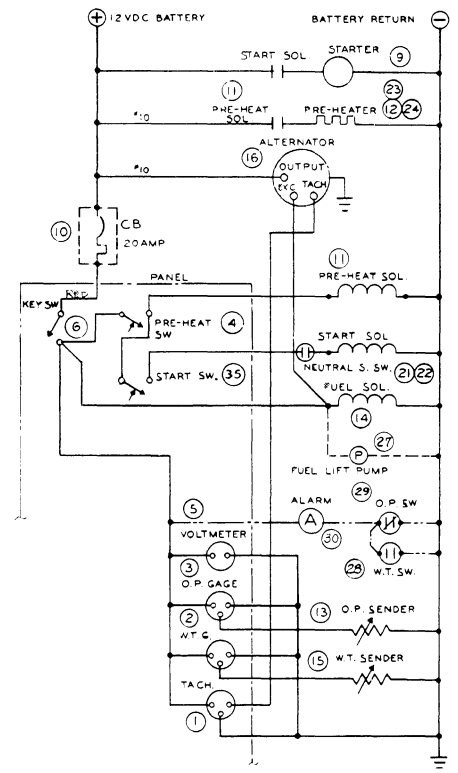
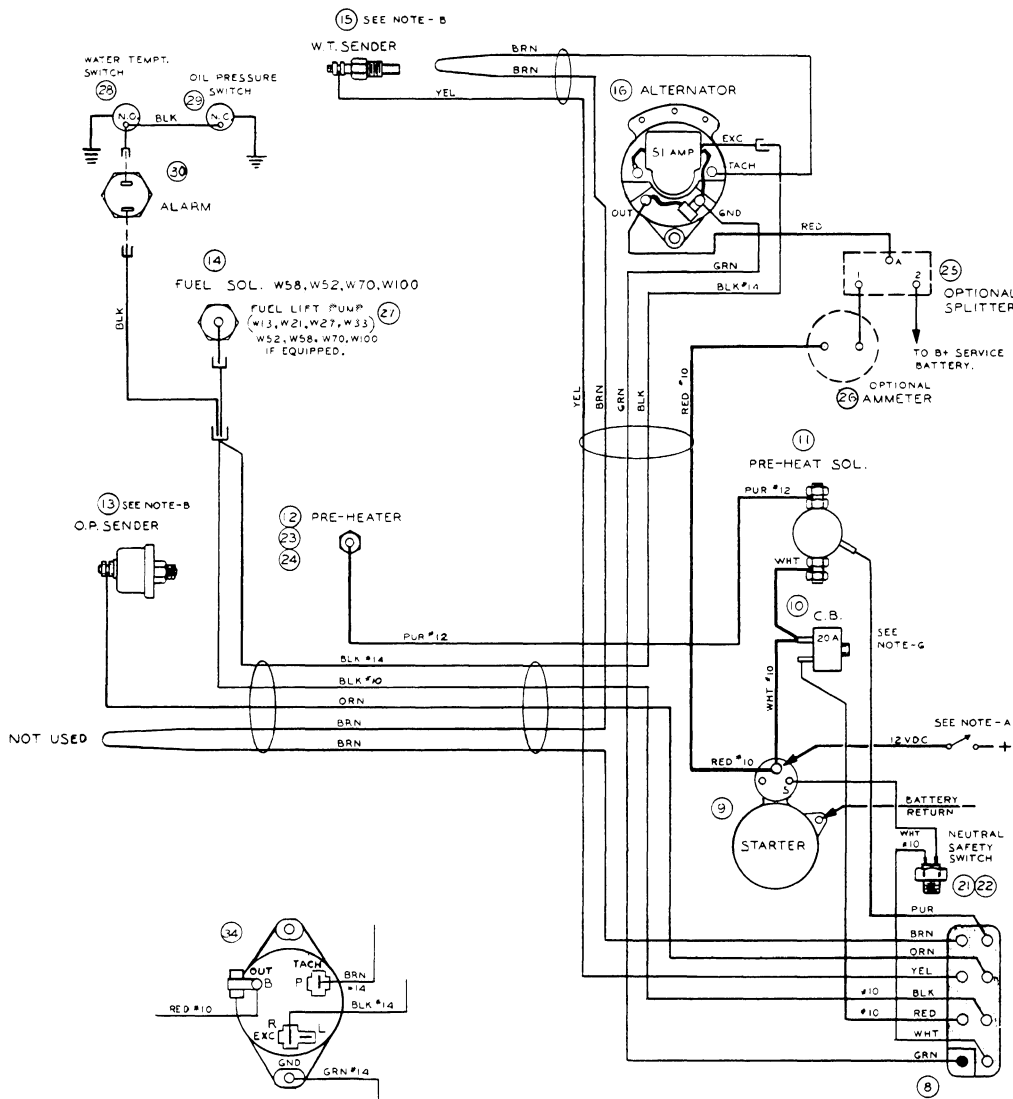
WESTERBEKE 10-15KW GENERATOR FUEL SOLENOID

REF	PN	NAME	REMARKS	QUAN
1	19019	CLAMP	MOUNT SOLENOID	1
2- 1	23041	SOLENOID	FUEL SHUT-OFF 12VDC	1
2- 2	19348	SOLENOID	FUEL SHUT-OFF 24VDC	1
3	20660	BRACKET	SOLENOID MOUNTING	1
4	12982	PIN	COTTER	1
5	12697	LINK		1
6	11551	CLIP		1
7	20661	SCREW	SOLENOID PLUNGER	1
8	31849	LOCKWASHER	10	2
9	31847	NUT	10-32	2
10	31758	LOCKWASHER	5/16	2
11	31577	CAPSCREW	5/16NF X 5/8	2
12	31754	NUT	1/4NF	2
13		PLUNGER	SEE REF 2	1
14		SPRING	SEE REF 2	1
15		BOOT	RUBBER-SEE REF 2	1
16	21824	KIT	FUEL SHUT-OFF SOLENOID REF 1 THRU 15	1

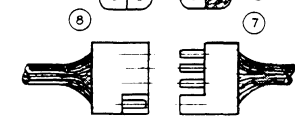
# ELECTRICAL SYSTEM-MARINE ENGINE-ACTIVATION BY KEYSWITCH

SCHEMATIC DIAGRAM

WIRING DIAGRAM



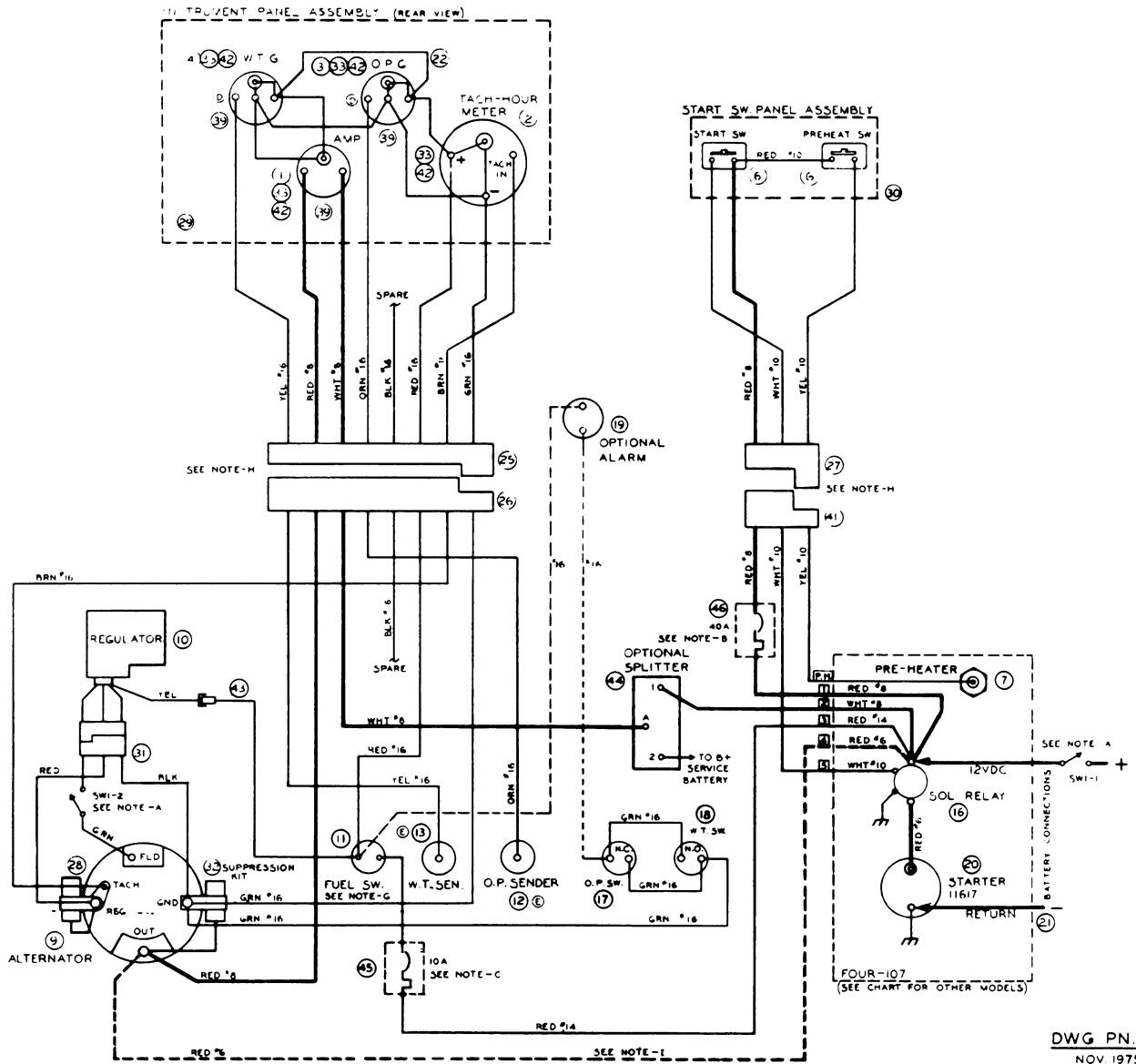
SERIES 'B' ALTERNATOR  
12VOLT 50 AMP



## ELECTRICAL SYSTEM-MARINE ENGINE-ACTIVATION BY KEYSWITCH

REF	PN	NAME	REMARKS	QUAN
1	11917	METER	TACHOMETER-HOURMETER	1
2	35108	GAUGE	WATER TEMPERATUPE	1
3	35110	GAUGE	OIL PRESSURE 0-100 PSI	1
4	33764	SWITCH	PUSHBUTTON PRE-HEAT	1
5	35111	VOLTMETER	12VDC NEG GROUND	1
6	33693	KEYSWITCH	OFF-ON	1
7	30148	CABLE	PANEL	1
8- 1	31127	HARNESS	ENGINE WIRING-W30,W40,W50	1
8- 2	31128	HARNESS	ENGINE WIRING-W52	1
8- 3	31129	HARNESS	ENGINE WIRING-W58	1
9	16762	MOTOR	STARTER	1
10	24683	BREAKER	CIRCUIT-20 AMP	1
11	24639	SOLENOID	PRE-HEAT	1
13	24132	SENDER	OIL PRESSURE 0-100 PSI	1
15	23571	SENDER	WATER TEMPERATURE 1/8 NPT	1
16- 1	24684	ALTERNATOR	51AMP NEG GROUND WITH REGULATOR	1
16- 2	11548	PULLEY	ALTERNATOR DRIVE	1
16- 3	24579	REGULATOR	51 AMP	1
16- 4	24580	GASKET	ALTERNATOR TO REGULATOR	1
16- 5	11677	ALTERNATOR	120AMP-12VDC	1
16- 6	11682	REGULATOR	120AMP	1
16- 7	23088	CABLE	REGULATOR 11682	1
16- 8	11675	CABLE	ALTERNATOR TO REGULATOR	1
16- 9	11676	RESISTOR	75 OHM	1
16-10	11674	PULLEY	ALTERNATOR DRIVE-W40-50-80-120	1
16-11	22219	PULLEY	ALTERNATOR DRIVE-W58	1
16-12	31109	PULLEY	ALTERNATOR DRIVE-W52	1
16-13	11231	DIAGRAM	WIRING 120AMP ALTERNATOR	1
16-14	23603	DIAGRAM	WIRING 120AMP REGULATOR	1
17	12959	KIT	ALTERNATOR MOD FOR ELEC TACHOMETER	1
18	11532	KIT	ALTERNATOR SUPPRESSION	1
21	23433	SWITCH	NEUTRAL SAFETY WARNER TRANSMISSION	1
22	23309	SWITCH	NEUTRAL SAFETY PARAGON TRANSMISSION P200	1
23	11530	PREHEATER	MANIFOLD W40	1
25	20654	SPLITTER	ALTERNATOR OUTPUT-OPTIONAL	1
26	11581	AMMETER	60-0-60-OPTIONAL	1
28	30125	SWITCH	WATER TEMPERATURE-NO-ALARM	1
29	34761	SWITCH	OIL PRESSURE-NC-ALARM	1
30	13355	ALARM	BUZZER	1
32	33866	PANEL	INSTRUMENT-COMPLETE	1
35	33764	SWITCH	START	1
50	31086	BOOT	ALTERNATOR OUTPUT TERMINAL	1
51- 1	30065	CONDUIT	FLEX-GARD 0.35ID-INCHES REQD	AR
51- 2	30066	CONDUIT	FLEX-GARD 0.50ID-INCHES REQD	AR
51- 3	30067	CONDUIT	FLEX-GARD 0.75ID-INCHES REQD	AR

# ELECTRICAL SYSTEM-MARINE ENGINE-PUSHBUTTON START

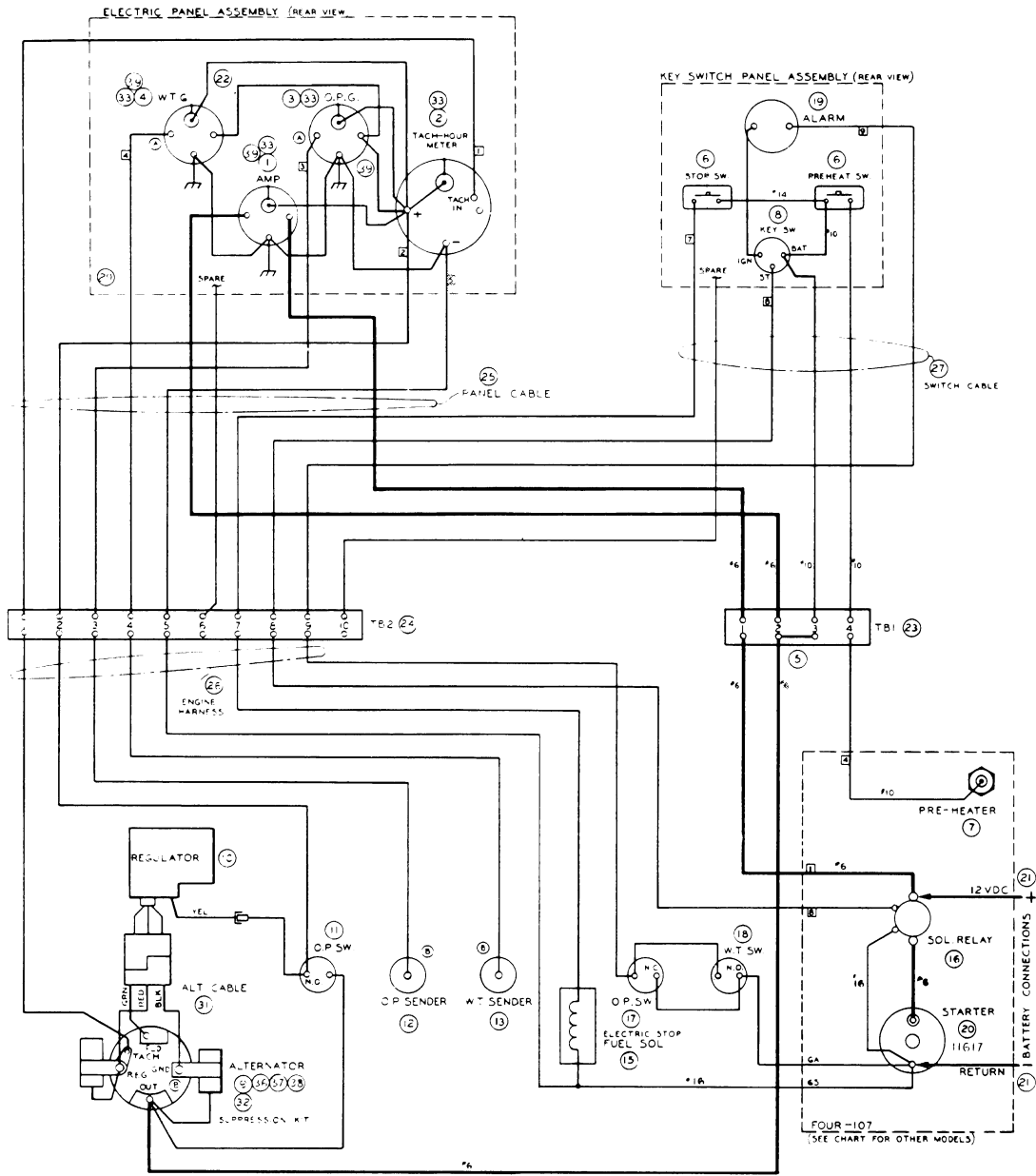


DWG PN.19201  
NOV 1975

## ELECTRICAL SYSTEM-MARINE ENGINE-PUSHBUTTON START

REF	PN	NAME	REMARKS	QUAN
1- 1	11581	AMMETER	60-0-60	1
1- 2	21890	AMMETER	100-0-100	1
1- 3	21891	SHUNT	USED WITH 21890 AMMETER	1
1- 4	23636	AMMETER	60-0-60	1
1- 5	23635	SHUNT	USED WITH 23636 AMMETER	1
2	11917	METER	TACHOMETER-HOURMETER	1
3	11544	GAUGE	OIL PRESSURE	1
4	35108	GAUGE	WATER TEMPERATURE	1
6- 1	11957	SWITCH	PUSHBUTTON	2
6- 2	19031	CAP	SWITCH PROTECTIVE COVER	2
7	11530	PREHEATER	MANIFOLD TYPE	1
9- 1	19270	ALTERNATOR	55 AMP NEG GROUND	1
9- 2	11534	ALTERNATOR	55 AMP 12 VOLT UNGROUNDED	1
9- 3	11677	ALTERNATOR	120 AMP NEG GROUND	1
9- 4	22219	PULLEY	ALTERNATOR DRIVE 2 GROOVE	1
9- 5	11676	RESISTOR	85-120 AMP ALTERNATOR	1
10- 1	11550	REGULATOR	55 AMP ALTERNATOR	1
10- 2	11682	REGULATOR	85-120 AMP ALTERNATOR	1
10- 3	23088	CABLE	REGULATOR TO ALTERNATOR CABLE	1
11	33348	SWITCH	FUEL - NORMALLY OPEN	1
12- 1	11542	SENDER	OIL PRESSURE	1
12- 2	22125	SENDER	OIL PRESSURE-DUAL GAUGES	1
13- 1	11543	SENDER	WATER TEMPERATURE 1/4 NPT	1
13- 2	23571	SENDER	WATER TEMPERATURE 1/8 NPT	1
13- 3	22124	SENDER	WATER TEMPERATURE-DUAL GAUGES	1
16	11489	SOLENOID	START-FOR 11617 STARTER	1
17	11552	SWITCH	OIL PRESSURE-NC-OPTIONAL ALARM	1
18	13382	SWITCH	WATER TEMPERATURE-NO-OPTIONAL ALARM	1
19	13355	ALARM	OPTIONAL	1
20	11617	MOTOR	STARTER	1
22	19215	HARNESS	PANEL-GAUGE CONNECTING-NLA	2
25- 1	19209	CABLE	INSTRUMENT PANEL FROM ENGINE	1
25- 2	30760	CABLE	INSTRUMENT PANEL 15FT EXTENSION OPTION	1
26	19208	HARNESS	ENGINE PREWIRING-NLA	1
27- 1	19206	CABLE	START PANEL FROM ENGINE-NLA	1
27- 2	19207	CABLE	START PANEL 10FT EXTENSION OPTION	1
28	12959	KIT	ALTERNATOR MOD FOR ELEC TACHOMETER	1
29- 1	19285	PANEL	INSTRUMENT COMPLETE STANDARD	1
29- 2	22283	PANEL	INSTRUMENT COMPLETE 100AMP	1
30	19283	PANEL	START-PREHEAT COMPLETE	1
31	11549	CABLE	ALTERNATOR TO REGULATOR	1
32	11532	KIT	SUPPRESSION-ALTERNATOR	1
33	11432	LAMPS	METERS AND GAUGES	4
41	19205	HARNESS	ENGINE-STARTING-NLA	1
42	19216	HOLDER	LAMP	1
43	11670	WIRE	REGULATOR EXCITATION	1
44	20654	SPLITTER	ALTERNATOR OUTPUT-OPTION	1
45	20946	BREAKER	CIRCUIT - 10 AMP	1
46	20947	BREAKER	CIRCUIT - 40 AMP	1

# ELECTRICAL SYSTEM-ACTIVATION BY LUBE OIL PRESSURE-KEYSWITCH START

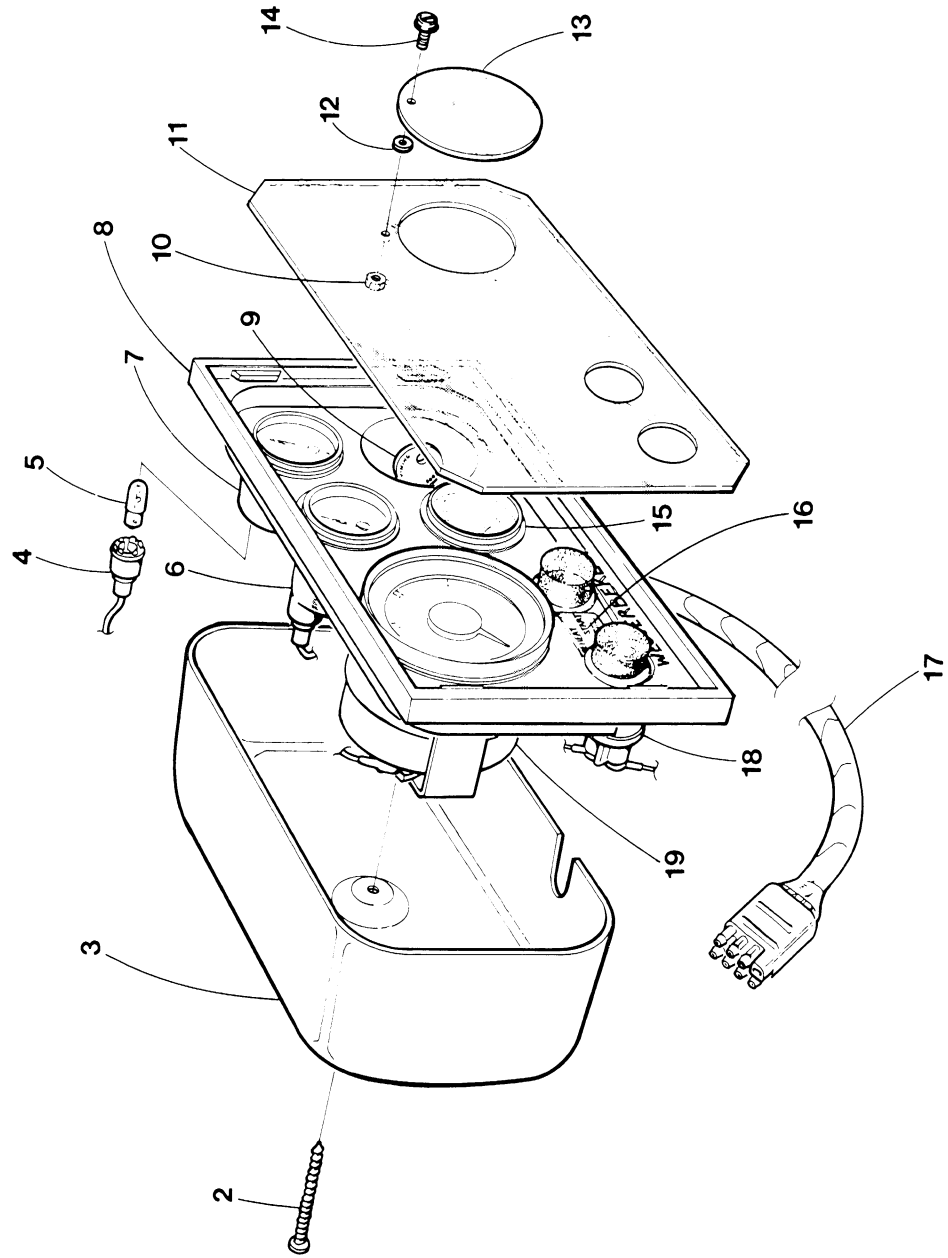


## ELECTRICAL SYSTEM-ACTIVATION BY LUBE OIL PRESSURE-KEYSWITCH START

REF	PN	NAME	REMARKS	QUAN
1	11581	AMMETER	60-0-60	1
2- 1	11917	TACHOMETER	ELECTRIC-ALTERNATOR DRIVEN	1
2- 3	12883	TACHOMETER	SKIPPER PANEL	1
3	11544	GAUGE	OIL PRESSURE	1
4	35108	GAUGE	WATER TEMPERATURE	1
5	13938	JUMPER	13320 TERMINAL BLOCK	1
6- 1	11957	SWITCH	PUSHBUTTON	AR
6- 2	11958	PLUG	IN LIEU OF PUSHBUTTON	AR
7	11530	PREHEATER	MANIFOLD TYPE	1
8- 1	11956	KEYSWITCH	3 POS - 3 TERM	1
8- 2	11714	KEYSWITCH	4 POS - 3 TERM-NLA	1
8- 3	14833	KEYSWITCH	4 POS - 4 TERM	1
9- 1	19270	ALTERNATOR	55 AMP-12 VOLT	1
9- 2	11670	WIRE	EXCITATION 19270 ALTERNATOR	1
9- 3	11548	PULLEY	19270 ALTERNATOR	1
9- 4	11677	ALTERNATOR	120 AMP-12 VOLT	1
9- 5	11815	ALTERNATOR	53 AMP-12 VOLT	1
9- 6	12871	ALTERNATOR	105 AMP-12 VOLT	1
9- 7	11676	RESISTOR	11671 & 11677 ALTERNATORS	1
10- 1	11550	REGULATOR	19270 & 11534 ALTERNATORS	1
10- 2	11678	REGULATOR	11677 ALTERNATOR	1
10- 3	11682	REGULATOR	11815 & 12871 ALTERNATORS	1
11	33348	SWITCH	OIL PRESSURE-NORMALLY OPEN	1
12	11542	SENDER	OIL PRESSURE	1
13	11543	SENDER	WATER TEMPERATURE	1
15- 1	13986	SOLENOID	3.5 X 2.5 X 2.75-OBS USE 21824 KIT	1
15- 2	15190	SOLENOID	3.25 X 1.5 DIA OBS USE 23041	1
15- 3	23041	SOLENOID		1
16	11489	SOLENOID	START	1
17	11552	SWITCH	OIL PRESSURE-NORMALLY CLOSED	1
18	13382	SWITCH	WATER TEMPERATURE-NORMALLY OPEN	1
19- 1	13355	ALARM		1
19- 2	13759	PLUG	IN LIEU OF ALARM	1
20	11617	MOTOR	STARTER-FOUR 107	1
22	13777	HARNESS	REAR OF INSTRUMENT PANEL	1
23- 1	13320	BLOCK	TERMINAL-4 POLE	1
23- 2	13856	PLATE	SCREW	2
24- 1	13319	BLOCK	TERMINAL-10 POLE	1
24- 2	13855	PLATE	SCREW	2
25	19209	CABLE	INSTRUMENT PANEL FROM ENGINE	1
26	19208	HARNESS	ENGINE PREWIRING	1
27	13834	CABLE	KEYSWITCH TO TERMINAL BLOCK	1
28	12959	KIT	ALTERNATOR MOD FOR ELEC TACHOMETER	1
29	12885	PANEL	INSTRUMENT-LESS INSTRUMENTS	1
30	13515	NAMEPLATE	KEYSWITCH PANEL	1
31	11675	CABLE	ALTERNATOR TO REGULATOR-55A	1
32	11532	KIT	SUPPRESSION-ALTERNATOR	1
33	11432	LAMP	METERS AND GAUGES	AR
39	16023	ADAPTER	2IN GAUGE TO 2-3/8IN HOLE	3



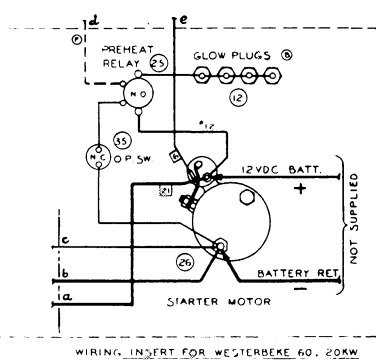
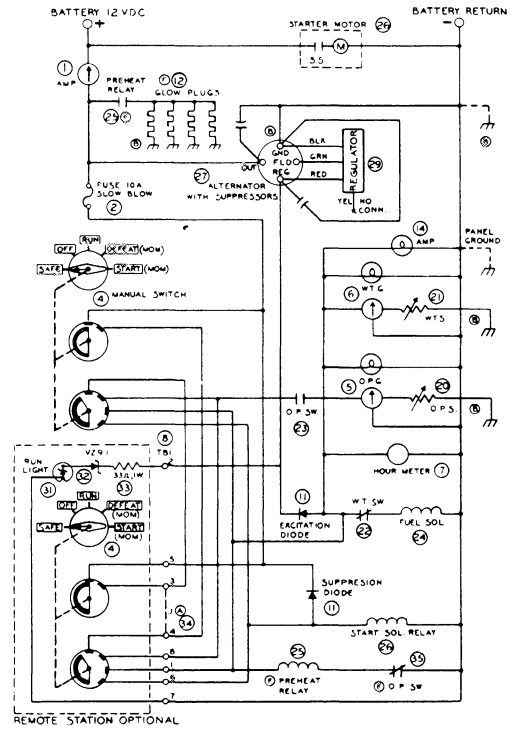
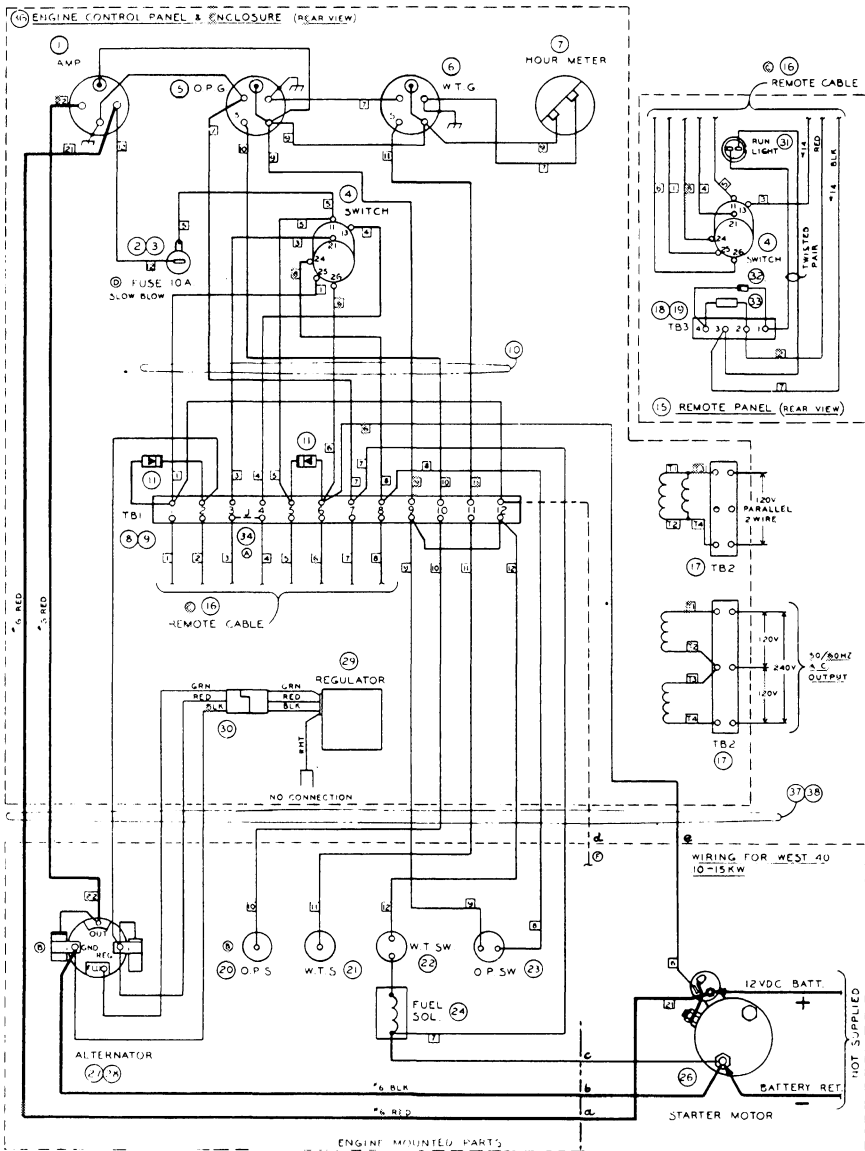
WESTERBEKE 40 - MARINE INSTRUMENT PANEL



WESTERBEKE 40 - MARINE INSTRUMENT PANEL

REF	PN	NAME	REMARKS	QUAN
1- 1	33866	PANEL	INSTRUMENT-ASSEMBLY	1
1- 2	24880	PANEL	INSTRUMENT-NO PUSH BUTTONS-NLA	1
2	30913	SCREW		1
3	30119	COVER	PANEL REAR	1
4- 1	24946	HOLDER	LAMP-BAYONET BASE	AR
4- 2	35118	HOLDER	LAMP-WEDGE BASE	AR
5- 1	24947	LAMP	INSTRUMENT-BAYONET BASE	AR
5- 2	35114	LAMP	INSTRUMENT-WEDGE BASE	AR
6	35108	METER	WATER TEMPERATURE	1
7	35110	METER	OIL PRESSURE 0-100 PSI	1
8- 1	33865	PANEL	PLATE	1
8- 2	24751	PANEL	PLATE-NO PUSH BUTTONS	1
9- 1	33693	SWITCH	KEY OFF-ON	1
9- 2	24777	SWITCH	KEY OFF-ON-START-PUSH TO PREHEAT	1
10	30003	NUT	NYLON LOCKING 6-32	1
11- 1	33684	COVER	FACEPLATE-PANEL WITH PUSH BUTTONS	1
11- 2	24994	COVER	FACEPLATE-PANEL WITHOUT PUSHBUTTONS	1
12	30002	SPACER	NYLON	1
13	24996	WINDOW	KEYSWITCH COVER	1
14	30001	SCREW	NYLON 6-32 X 1/2 WASHER HEAD	1
15	35111	VOLTMETER	12 VDC NEG GROUND	1
16	33682	DECAL	SWITCH IDENTIFICATION	1
17	30148	CABLE	PANEL TO ENGINE	1
18- 1	33764	SWITCH	PUSH BUTTON START-PREHEAT	2
18- 2	19031	CAP	SWITCH COVER REPLACEMENT	
19	11917	METER	TACHOMETER-HOUR	1
20	24999	DRAWING	TEMPLATE TO INSTALL PANEL	1

# GENERATOR CONTROL - MANUAL START DISCONNECT ROTARY SWITCH -YD SERIES

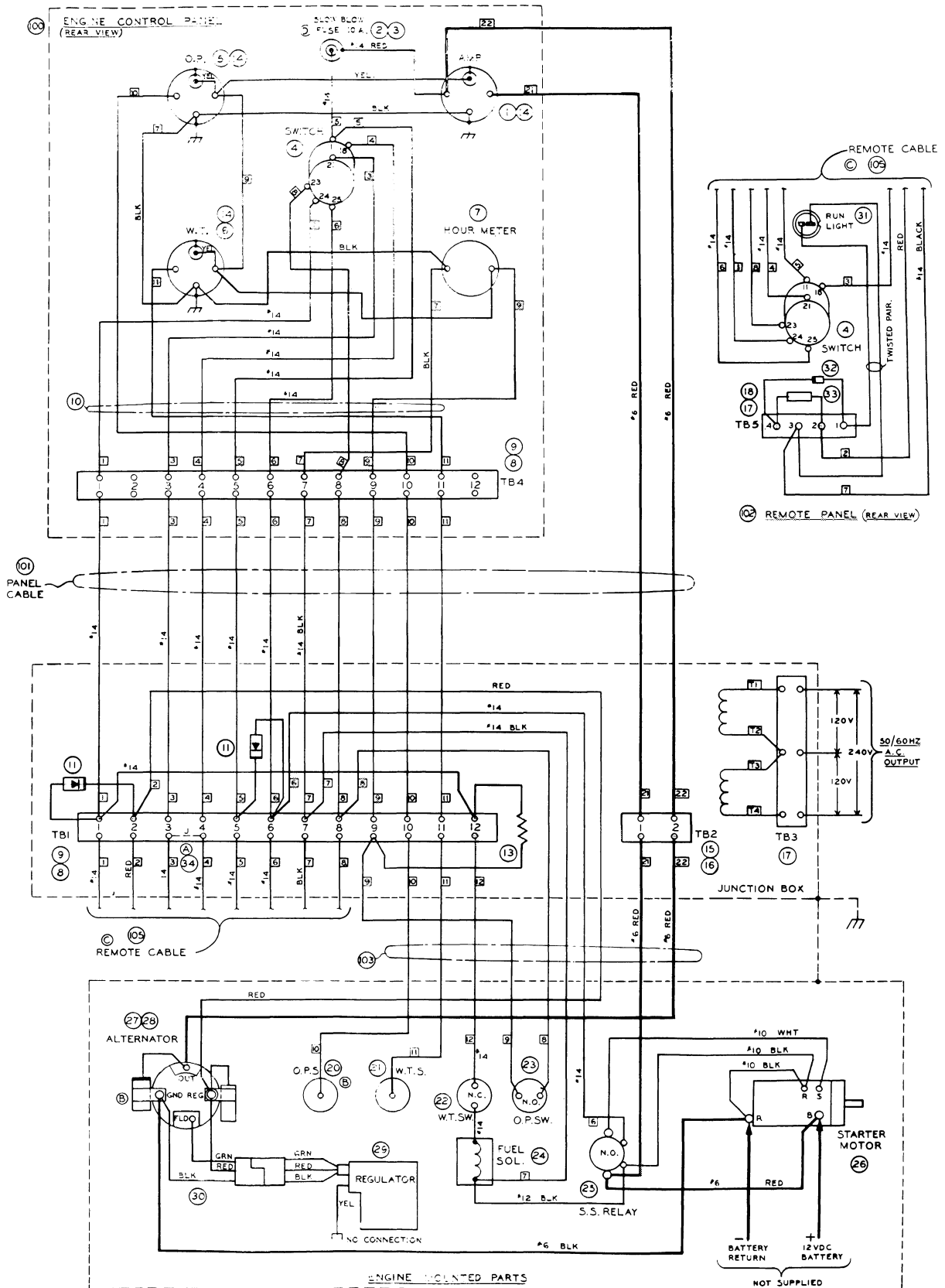


DRWG 21553  
41-30-71

GENERATOR CONTROL - MANUAL START DISCONNECT ROTARY SWITCH -YD SERIES

REF	PN	NAME	REMARKS	QUAN
1	11581	AMMETER	SW	1
2	11464	FUSE	10 AMP SLOW BLOW	1
3	11454	HOLDER	FUSE	1
4	13722	SWITCH	ROTARY	1
5	11544	GAUGE	OIL PRESSURE	1
6	11545	GAUGE	WATER TEMPERATURE	1
7	12892	HOURLMETER		1
8	15220	BLOCK	12 TERMINAL	1
9	15221	MARKER	12 TERMINAL	1
10	21534	HARNESS	PANEL	1
11	11460	DIODE		2
13	19216	HOLDER	LAMP	1
14	11432	LAMP		3
15	13728	PANEL	REMOTE - COMPLETE	1
16	15137	CABLE	REMOTE	1
17	11816	BLOCK	3 TERMINAL AC	1
18	13447	BLOCK	4 TERMINAL	1
19	15067	MARKER	4 TERMINAL	1
20	11542	SENDER	OIL PRESSURE	1
21	11543	SENDER	WATER TEMPERATURE	1
22	12884	SWITCH	WATER TEMPERATURE NC	1
23	33348	SWITCH	OIL PRESSURE NO	1
24	23041	SOLENOID	FUEL	1
25	11489	RELAY	SOLENOID - 20 YD ONLY	1
27	19270	ALTERNATOR	55 AMP	1
28	11532	KIT	SUPPRESSION	1
29	11550	REGULATOR		1
30	11675	CABLE	ALTERNATOR	1
31	13725	LED	RUN LIGHT	1
32	13724	DIODE	ZENER	1
33	13723	RESISTOR	COMPOSITION - 1 W	1
34	15223	JUMPER	12 TERMINAL BLOCK	1
35	11552	SWITCH	OIL PRESSURE - 20 YD ONLY	1
36- 1	21521	PANEL	ASSEMBLY - COMPLETE	1
36- 2	21496	PANEL	CONTROL	1
37	21535	HARNESS	ENGINE - 10 AND 15 YD	1

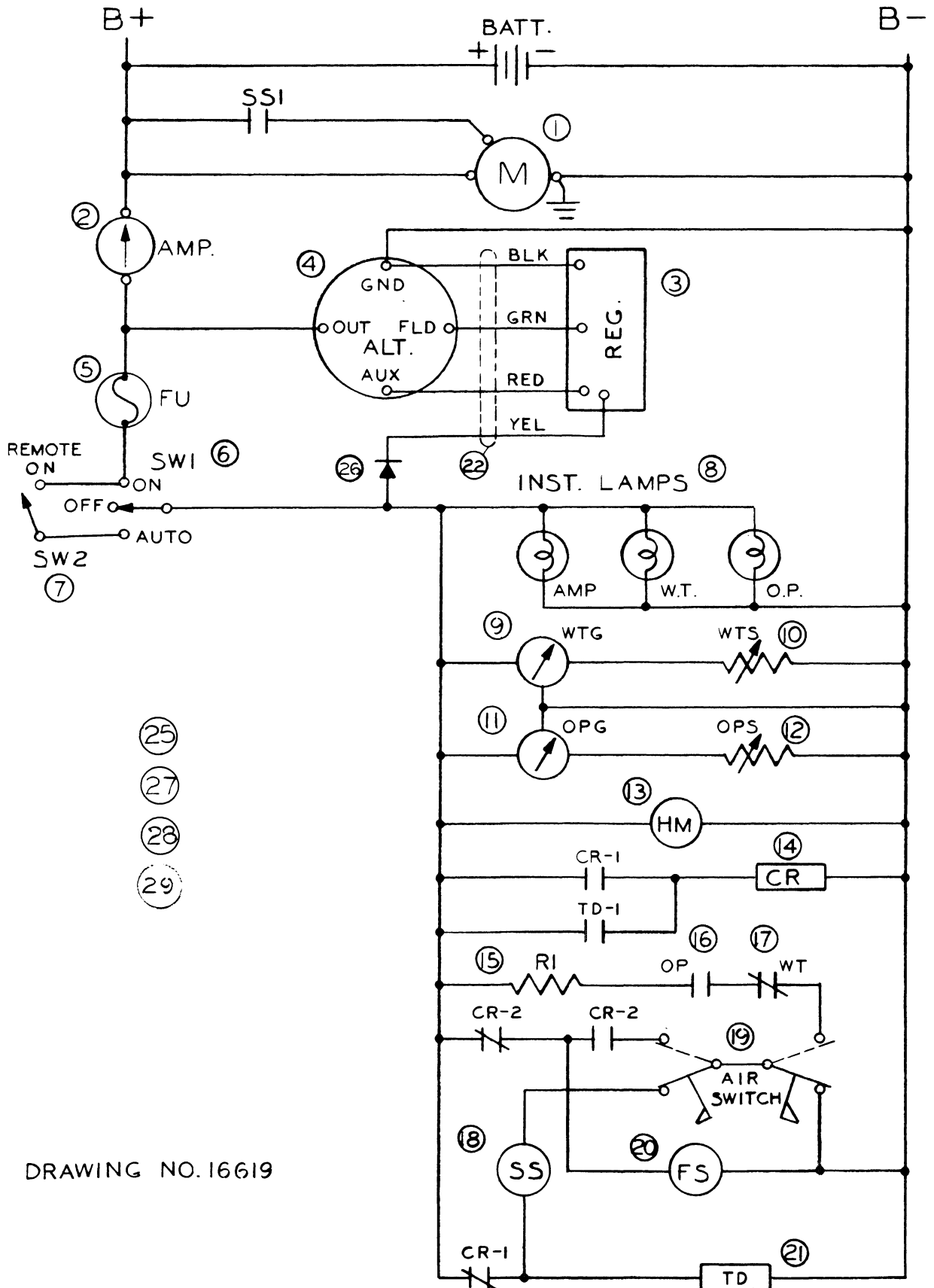
# GENERATOR CONTROL - MANUAL START DISCONNECT ROTARY SWITCH -JC SERIES



GENERATOR CONTROL - MANUAL START DISCONNECT ROTARY SWITCH -JC SERIES

REF	PN	NAME	REMARKS	QUAN
1	11581	AMMETER	0-60-0	1
2	11464	FUSE	10A SLOW BLOW	1
3	11454	FUSEHOLDER		1
4	13722	SWITCH	ROTARY	1
5	11544	GAUGE	OIL PRESSURE - 0-80	1
6	11545	GAUGE	WATER TEMPERATURE	1
7	12892	HOURLMETER		1
8	13531	BLOCK	12 TERMINAL	2
9	13532	MARKER	TERMINAL	2
10	15124	HARNESS	PANEL	1
11	11460	DIODE		2
13	12891	RESISTOR	SOLENOID VOLTAGE	1
14	11432	LAMP		3
15	12975	BLOCK	2 TERMINAL	1
16	13364	MARKER	TERMINAL	1
17	11816	BLOCK	3 TERMINAL AC	1
18	13447	BLOCK	4 TERMINAL	1
19	15067	MARKER	TERMINAL	1
20	11542	SENDER	OIL PRESSURE	1
21	11543	SENDER	WATER TEMPERATURE	1
22	12884	SWITCH	WATER TEMPERATURE NC	1
23	33348	SWITCH	OIL PRESSURE NO	1
24	11952	SOLENOID	FUEL-NLA USE 21824 KIT	1
25	11489	RELAY	STARTER SOLENOID	1
26	17939	MOTOR	STARTER	1
27	19270	ALTERNATOR	55AMP	1
28	11532	KIT	SUPPRESSION	1
29	11550	REGULATOR		1
30	11675	CABLE	ALTERNATOR	1
31	13725	LAMP	RUN LIGHT	1
32	13724	DIODE	ZENER	1
33	13723	RESISTOR	COMPOSITION-1W	1
34	15139	JUMPER	BLOCK	1
35	11552	SWITCH	OIL PRESSURE - N.C.	1
101	15125	CABLE	PANEL	1
102	13728	PANEL	REMOTE - COMPLETE	1
103	15138	HARNESS	ENGINE	1
105	15137	CABLE	REMOTE - 20FT STD LENGTH	AR

GENERATOR CONTROL: START DISCONNECT BY 2 AIR SW (1 TIMER)



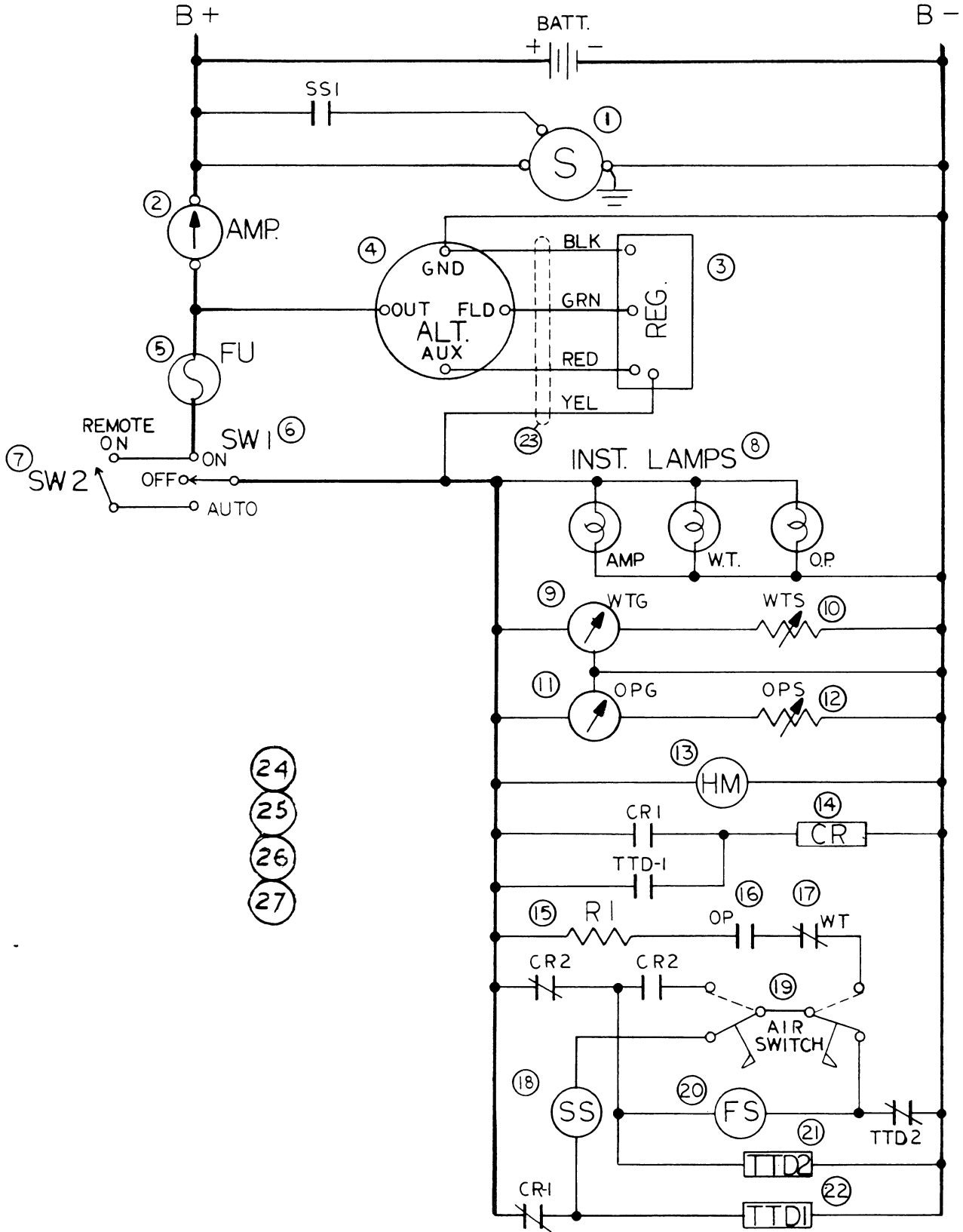
DRAWING NO. 16619

GENERATOR CONTROL - START DISCONNECT BY 2 AIR SWITCHES 1 TIMER

REF	PN	NAME	REMARKS	QUAN
1	11488	MOTOR	STARTING	1
2	11581	AMMETER	SW	1
3	11550	REGULATOR		1
4	19270	ALTERNATOR	55AMP - 12 VOLT - NEG GND	1
5	11468	FUSE	15 AMP	1
6	11576	SWITCH	CONTROL	1
7	12980	SWITCH	REMOTE	1
8	11432	LAMP		3
9	11545	GAUGE	WATER TEMPERATURE - SW	1
10	11543	SENDER	WATER TEMPERATURE - SW	1
11	11544	GAUGE	OIL PRESSURE - SW	1
12	11542	SENDER	OIL PRESSURE - SW	1
13	12892	HOURMETER		1
14	11582	RELAY		1
15	12891	RESISTOR	4 OHM	1
16	33348	SWITCH	OIL PRESSURE	1
17	12884	SWITCH	WATER TEMPERATURE	1
18	11489	SOLENOID	START	1
19- 1	13844	SWITCH	AIR - COMPLETE ASSY INCL VANE	2
19- 2	13845	VANE	AIR SWITCH	2
20	11952	SOLENOID	FUEL-NLA USE 21824 KIT	1
21- 1	16407	RELAY	TIME DELAY	1
21- 2	16382	BRACKET	TIME DELAY RELAY	1
21- 3	16405	SHIELD	TIME DELAY RELAY	1
21- 4	16406	SOCKET	TIME DELAY RELAY	1
22	11675	CABLE	REGULATOR TO ALTERNATOR	1
25	12321	PANEL	COMPLETE	1
26- 1	11460	DIODE	ALTERNATOR AUXILIARY OUTPUT SUPPRESSING	1
26- 2	16011	TERMINAL	DIODE 11460 MOUNTING	1
26- 3	16012	KIT	DIODE 11460 INSTALLATION	1
27	12960	HARNESS	GENERATOR COMPONENTS TO TERMINAL BLOCK	1
28	13734	HARNESS	PANEL INTERIOR	1
29	17310	DIAGRAM	POINT-TO-POINT	1



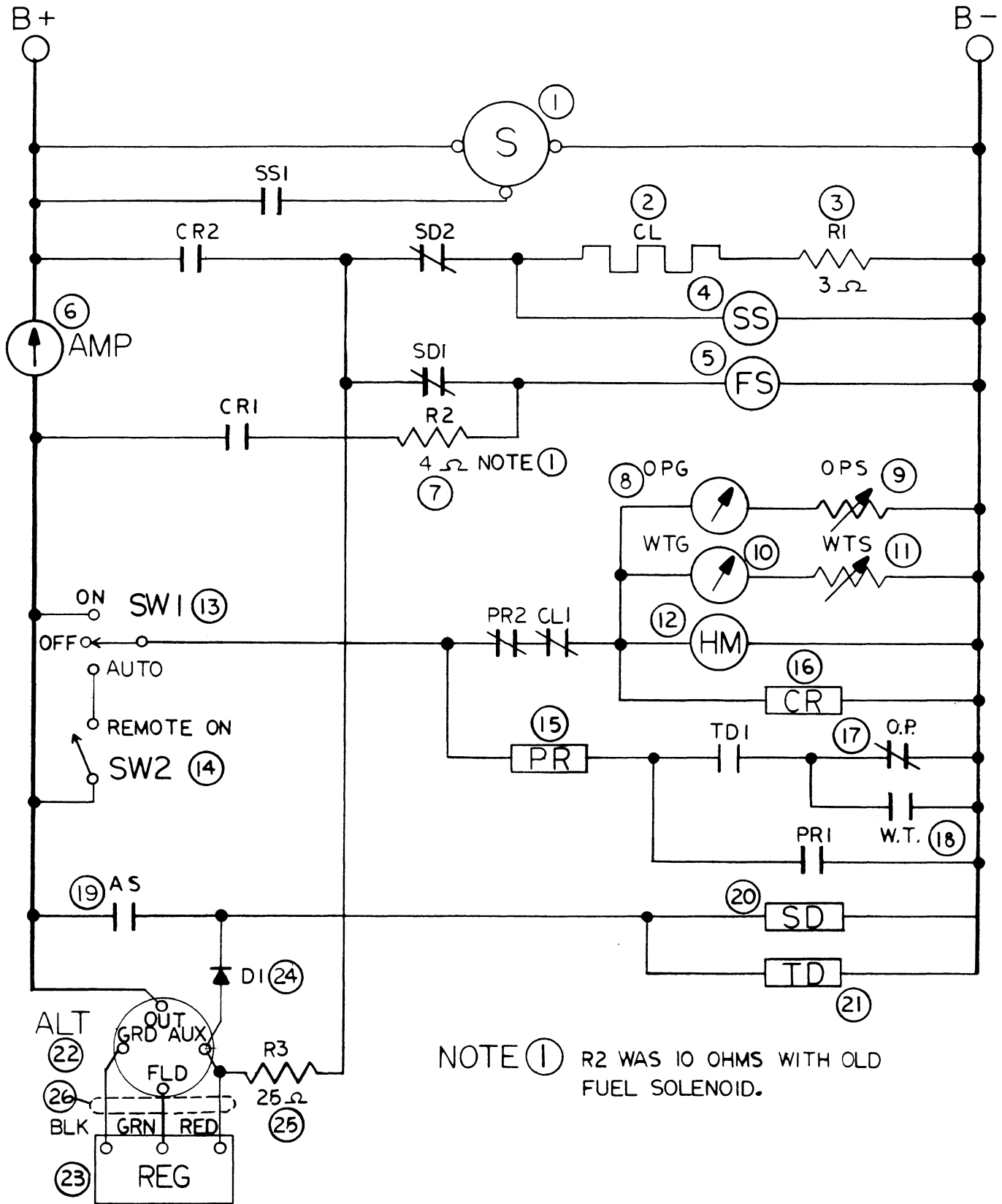
GENERATOR CONTROL: START DISCONNECT BY 2 AIR SW (2 TIMERS)



GENERATOR CONTROL - START DISCONNECT BY 2 AIR SWITCHES 2 TIMERS

REF	PN	NAME	REMARKS	QUAN
1	11488	MOTOR	STARTING	1
2	11581	AMMETER	SW	1
3	11550	REGULATOR		1
4	19270	ALTERNATOR	55 AMP - 12 VOLT - NEG GND	1
5	11468	FUSE	15 AMP	1
6	11576	SWITCH	CONTROL	1
7	12980	SWITCH	REMOTE	1
8	11432	LAMP		3
9	11545	GAUGE	WATER TEMPERATURE - SW	1
10	11543	SENDER	WATER TEMPERATURE - SW	1
11	11544	GAUGE	OIL PRESSURE - SW	1
12	11542	SENDER	OIL PRESSURE - SW	1
13	12892	HOURLMETER		1
14	11582	RELAY		1
15	12891	RESISTOR	4 OHM	1
16	33348	SWITCH	OIL PRESSURE	1
17	12884	SWITCH	WATER TEMPERATURE	1
18	11489	SOLENOID	START	1
19- 1	13844	SWITCH	AIR - COMPLETE ASSY INCL VANE	2
19- 2	13845	VANE	AIR SWITCH	2
20	11952	SOLENOID	FUEL-NLA USE 21824 KIT	1
21- 1	12894	SWITCH	TIME DELAY	1
21- 2	12893	SWITCH	TIME DELAY	1
22	11549	HARNESS	REGULATOR TO ALTERNATOR	1
24	13836	CABLE	TERMINATED-10'-PANEL TO TERMINAL BLOCK	1
25	12321	PANEL	COMPLETE	1
26	12960	HARNESS	GENERATOR COMPONENTS TO TERMINAL BLOCK	1
27- 1	11460	DIODE	ALTERNATOR AUXILIARY OUTPUT SUPPRESSING	1
27- 2	16011	TERMINAL	DIODE 11460 MOUNTING	1
27- 3	16012	KIT	DIODE 11460 INSTALLATION	1

GENERATOR CONTROL: START DISCONNECT BY ALT OUTPUT OR AIR SWITCH



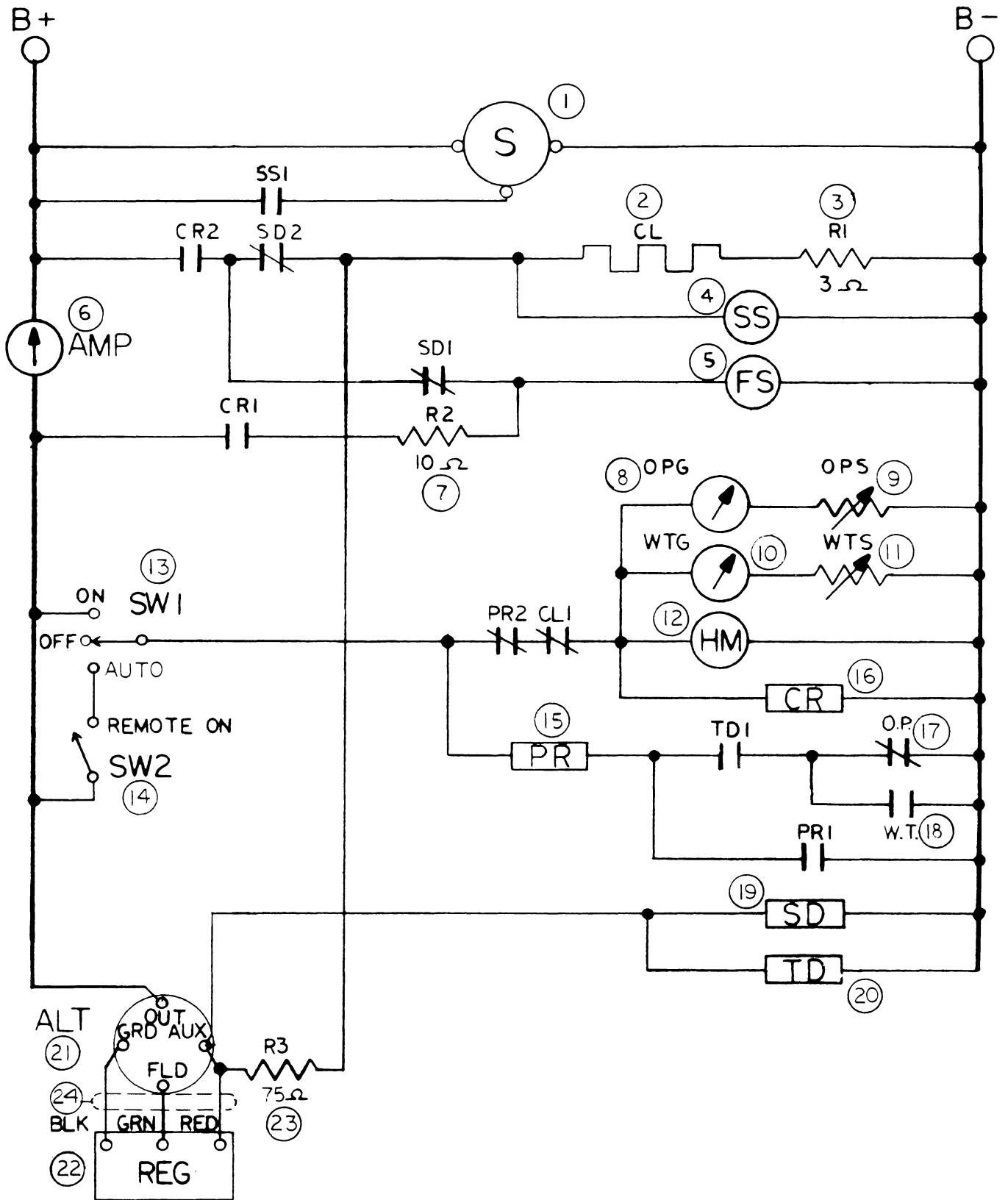
NOTE ① R2 WAS 10 OHMS WITH OLD FUEL SOLENOID.

Drawing No. 12868C

GENERATOR CONTROL - START DISCONNECT BY ALT OUTPUT OR AIR SWITCH

REF	PN	NAME	REMARKS	QUAN
1	11488	MOTOR	STARTER	1
2	11577	RELAY	CRANKING LIMITER	1
3	11466	RESISTOR	3 OHM	1
4	11489	SOLENOID	START	1
5	11952	SOLENOID	FUEL-NLA USE 21824 KIT	1
6	11581	AMMETER	SW	1
7- 1	11465	RESISTOR	10 OHM - OLD FUEL SOLENOID 12063	1
2- 2	12891	RESISTOR	4 OHM - NEW FUEL SOLENOID 11952	1
8	11544	GAUGE	OIL PRESSURE - SW	1
9	11542	SENDER	OIL PRESSURE - SW	1
10	11545	GAUGE	WATER TEMPERATURE - SW	1
11	11543	SENDER	WATER TEMPERATURE - SW	1
12	12892	HOURMETER		1
13	11576	SWITCH	CONTROL	1
14	11426	SWITCH	REMOTE	1
15	11582	RELAY	PROTECTIVE	1
16	11582	RELAY	CONTROL	1
17	11552	SWITCH	OIL PRESSURE	1
18	30125	SWITCH	WATER TEMPERATURE	1
19- 1	13844	SWITCH	AIR GENERATOR EXHAUST	1
19- 2	13845	VANE	AIR SWITCH	1
20	11582	RELAY	START DISCONNECT	1
21	11579	RELAY	TIME DELAY	1
22	19270	ALTERNATOR	55 AMP - 12 VOLT - NEG GND	1
23	11550	REGULATOR		1
24	11460	DIODE		1
25	11588	RESISTOR	25 OHM	1
26	11549	HARVESS	REGULATOR TO ALTERNATOR	1

GENERATOR CONTROL: START DISCONNECT BY ALTERNATOR OUTPUT ONLY

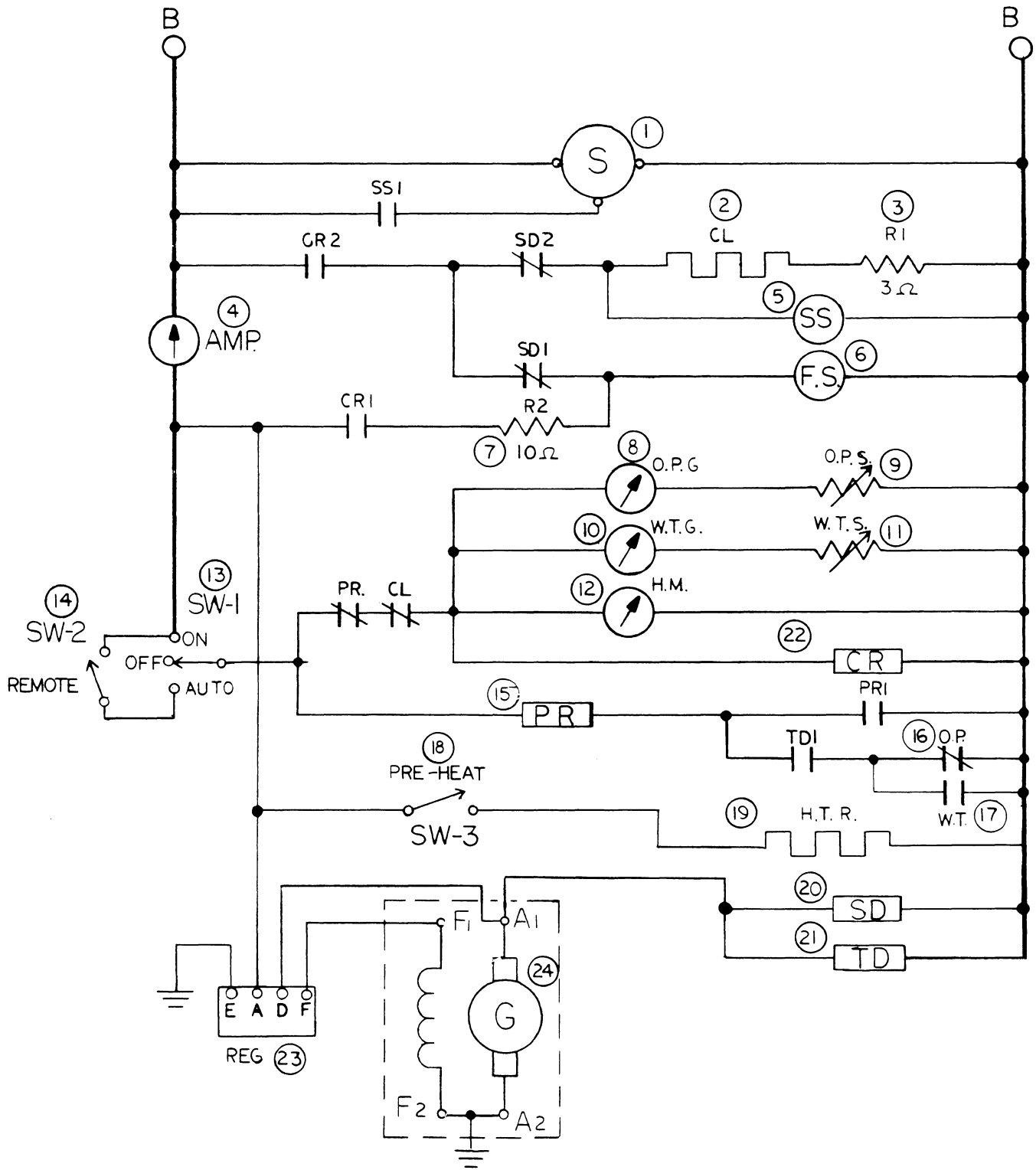


Drawing No. 13795B

GENERATOR CONTROL - START DISCONNECT BY ALTERNATOR OUTPUT ONLY

REF	PN	NAME	REMARKS	QUAN
1	11488	MOTOR	STARTER	1
2	11577	RELAY	CRANKING LIMITER	1
3	11466	RESISTOR	3 OHM	1
4	11489	SOLENOID	START	1
5	23041	SOLENOID	FUEL	1
6	11581	AMMETER	SW	1
7	11465	RESISTOR	10 OHM	1
8	11544	GAUGE	OIL PRESSURE - SW	1
9	11542	SENDER	OIL PRESSURE - SW	1
10	11545	GAUGE	WATER TEMPERATURE - SW	1
11	11543	SENDER	WATER TEMPERATURE - SW	1
12	12892	HOURMETER		1
13	11576	SWITCH	CONTROL	1
14	11426	SWITCH	REMOTE	1
15	11582	RELAY	PROTECTIVE	1
16	11582	RELAY	CONTROL	1
17	11552	SWITCH	OIL PRESSURE	1
18	30125	SWITCH	WATER TEMPERATURE	1
19	11582	RELAY	START DISCONNECT	1
20	11579	RELAY	TIME DELAY	1
21	19270	ALTERNATOR	55 AMP - 12 VOLT - NEG GND	1
22	11550	REGULATOR		1
23	11789	RESISTOR	75 OHM	1
24	11549	HARNESS	REGULATOR TO ALTERNATOR	1

GENERATOR CONTROL: START DISCONNECT BY DC BATTERY CHARGING GENERATOR

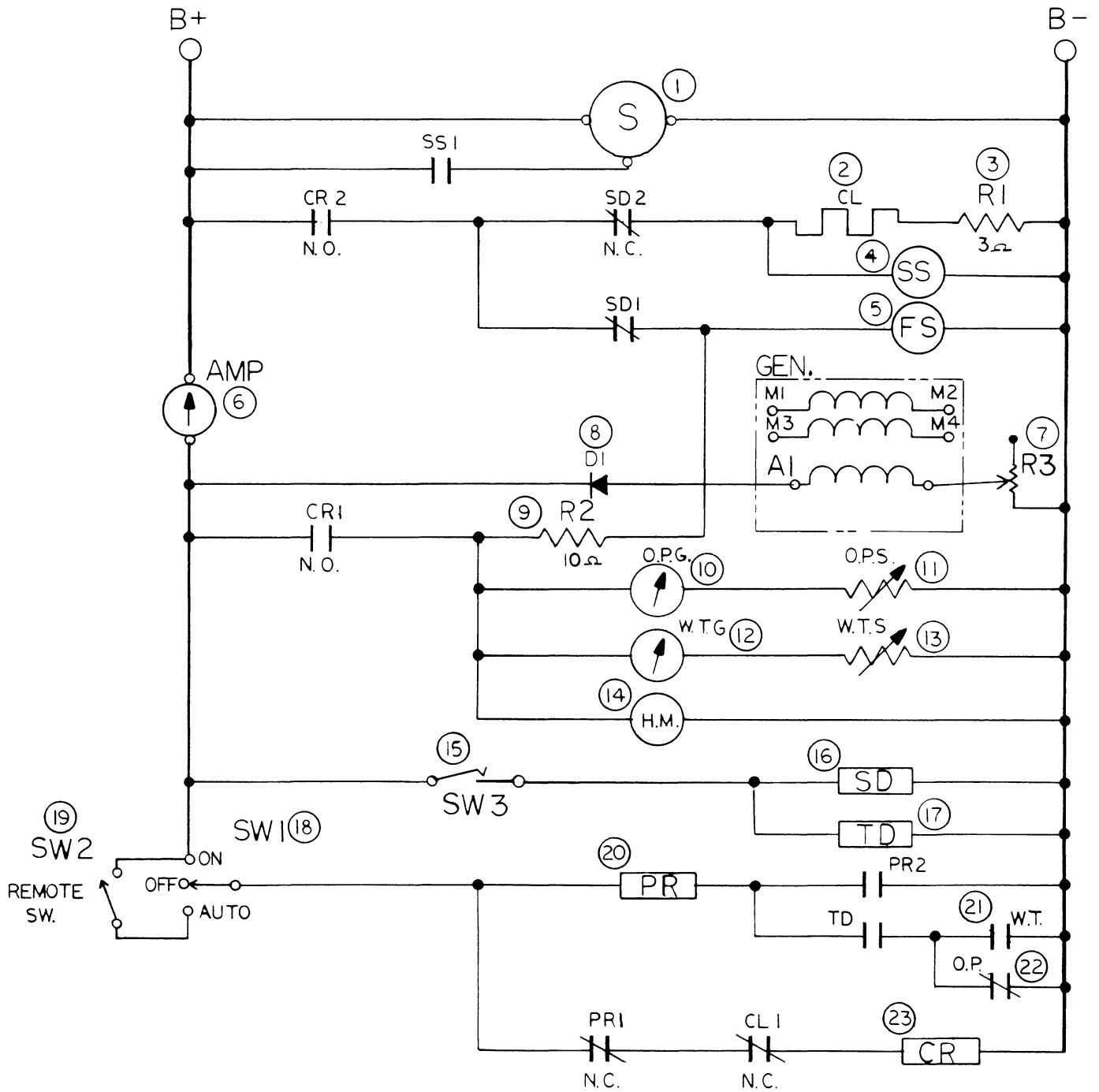


GENERATOR CONTROL - START DISCONNECT BY DC BATTERY CHARGING GENERATOR

REF	PN	NAME	REMARKS	QUAN
1	11488	MOTOR	STARTER	1
2	11577	RELAY	CRANKING LIMITER	1
3	11466	RESISTOR	3 OHM	1
4	11581	AMMETER	SW	1
5	11489	SOLENOID	START	1
6	11952	SOLENOID	FUEL-NLA USE 21824 KIT	1
7	11465	RESISTOR	10 OHM	1
8	11544	GAUGE	OIL PRESSURE - SW	1
9	11542	SENDER	OIL PRESSURE - SW	1
10	11545	GAUGE	WATER TEMPERATURE - SW	1
11	11543	SENDER	WATER TEMPERATURE - SW	1
12	12892	HOURMETER		1
13	11576	SWITCH	CONTROL	1
14	11426	SWITCH	REMOTE	1
15	11582	RELAY	PROTECTIVE	1
16	11552	SWITCH	OIL PRESSURE	1
17	30125	SWITCH	WATER TEMPERATURE	1
18	11714	SWITCH	PREHEAT-NLA	1
19	11530	HEATER	MANIFOLD	1
20	11582	RELAY	START DISCONNECT	1
21	11579	RELAY	TIME DELAY	1
22	11582	RELAY	CONTROL	1
23	13790	REGULATOR		1
24	13789	GENERATOR	DC BATTERY CHARGING	1



GENERATOR CONTROL: CHARGE WINDING & START DISCONNECT BY SPEED SWITCH

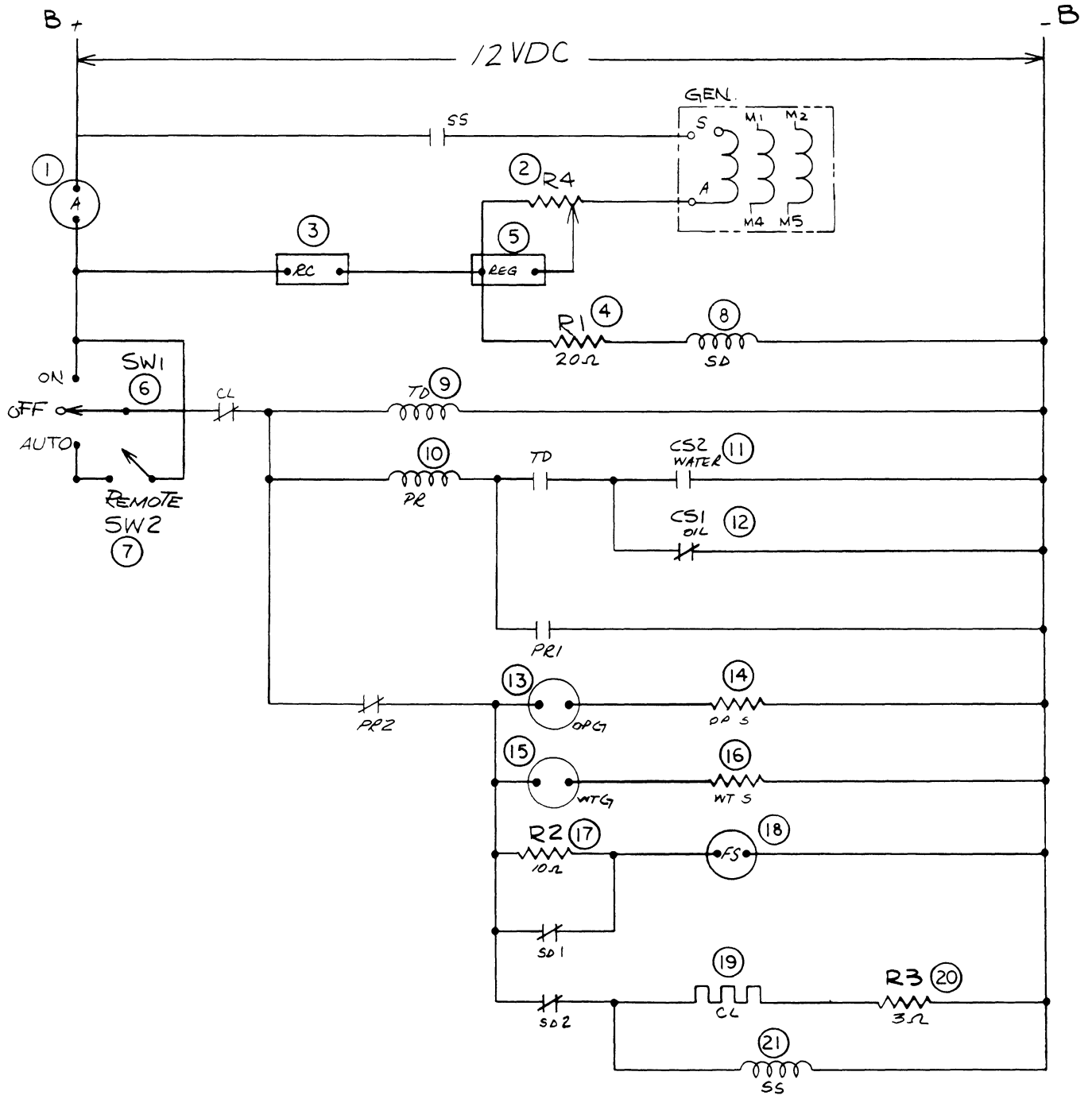


Drawing No. 13743

GENERATOR CONTROL - CHARGE WINDING & START DISCONNECT BY SPEED SWITCH

REF	PN	NAME	REMARKS	QUAN
1	11488	MOTOR	STARTER	1
2	11577	RELAY	CRANKING LIMITER	1
3	11466	RESISTOR	3 OHM	1
4	11489	SOLENOID	START	1
5	12063	SOLENOID	FUEL-NLA	1
6	11581	AMMETER	SW	1
7	13792	RESISTOR	VARIABLE CHARGING	1
8	13794	DIODE		1
9	11465	RESISTOR	10 OHM	1
10	11544	GAUGE	OIL PRESSURE - SW	1
11	11542	SENDER	OIL PRESSURE - SW	1
12	11545	GAUGE	WATER TEMPERATURE - SW	1
13	11543	SENDER	WATER TEMPERATURE - SW	1
14	12892	HOURMETER		1
15	11790	SWITCH	CENTRIFUGAL SPEED	1
16	11582	RELAY	START DISCONNECT	1
17	11579	RELAY	TIME DELAY	1
18	11576	SWITCH	CONTROL	1
19	11426	SWITCH	REMOTE	1
20	11582	RELAY	PROTECTIVE	1
21	30125	SWITCH	WATER TEMPERATURE	1
22	11552	SWITCH	OIL PRESSURE	1
23	11582	RELAY	CONTROL	1

GENERATOR CONTROL: AUXILIARY CHARGING & STARTING WINDINGS

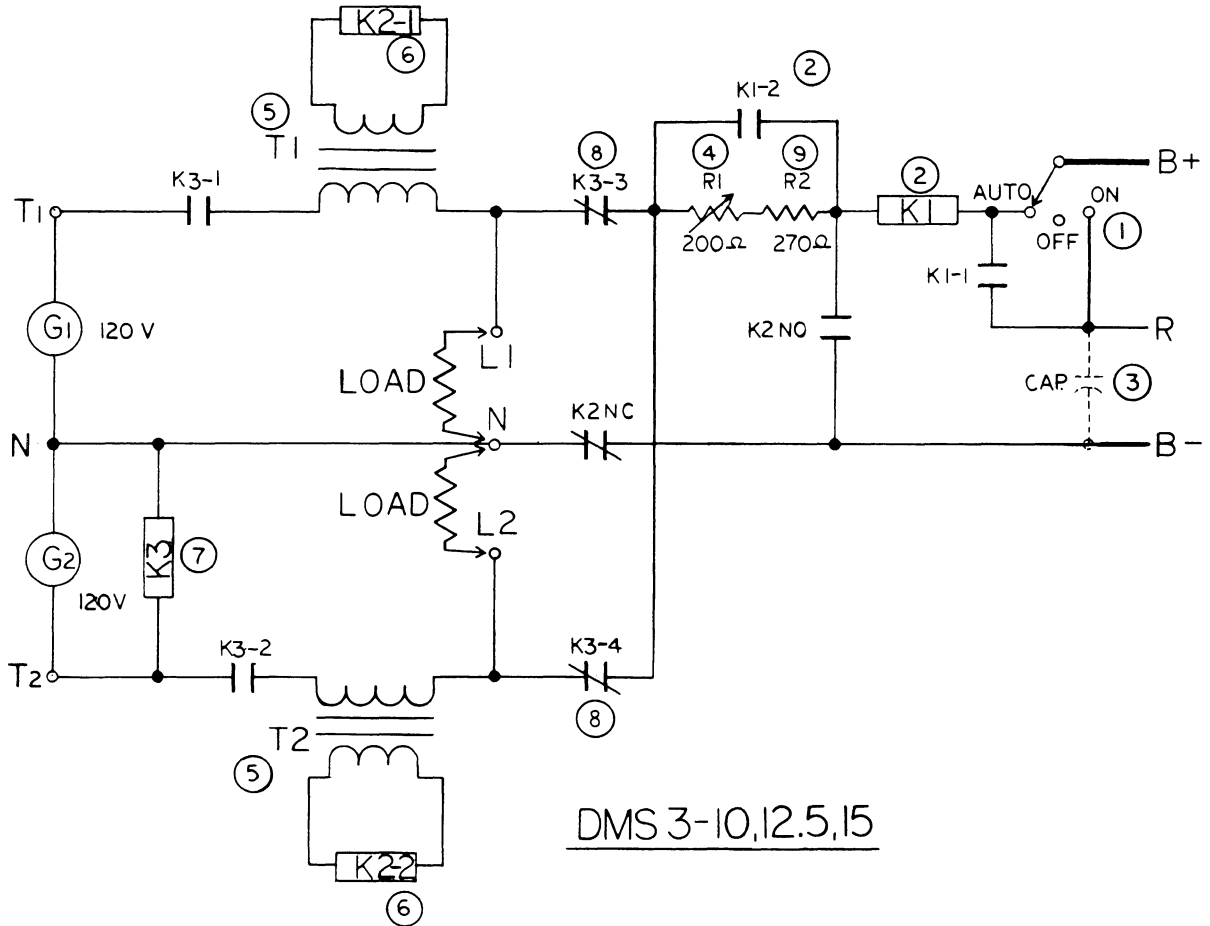
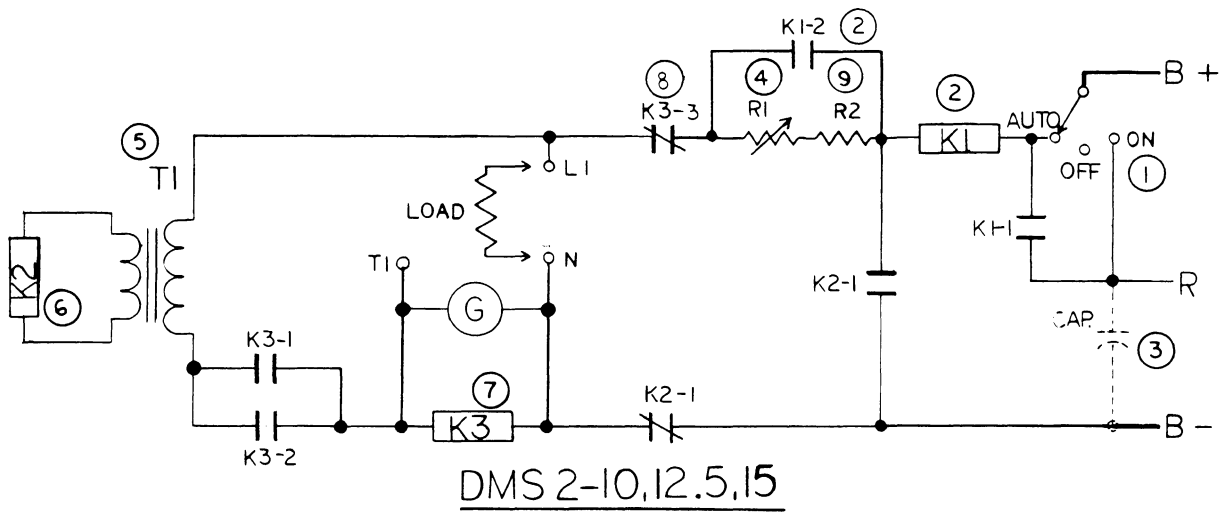


Drawing No. 12970

GENERATOR CONTROL - AUXILIARY CHARGING & STARTING WINDINGS

REF	PN	NAME	REMARKS	QUAN
1	11581	AMMETER	SW	1
2	13792	RESISTOR	VARIABLE CHARGING	1
3	12966	RELAY	REVERSE CURRENT	1
4	13791	RESISTOR	20 OHM 25 WATT 5%-NLA	1
5	13793	REGULATOR	CHARGING	1
6	11576	SWITCH	CONTROL	1
7	11426	SWITCH	REMOTE	1
8	11582	RELAY	START DISCONNECT	1
9	11579	RELAY	TIME DELAY	1
10	11582	RELAY	PROTECTIVE	1
11	30125	SWITCH	WATER TEMPERATURE	1
12	11552	SWITCH	OIL PRESSURE	1
13	11544	GAUGE	OIL PRESSURE - SW	1
14	11542	SENDER	OIL PRESSURE - SW	1
15	11545	GAUGE	WATER TEMPERATURE - SW	1
16	11543	SENDER	WATER TEMPERATURE - SW	1
17	11465	RESISTOR	10 OHM	1
18	11952	SOLENOID	FUEL-NLA USE 21824 KIT	1
19	11577	RELAY	CRANKING LIMITER	1
20	11466	RESISTOR	3 OHM	1
21	11489	SOLENOID	START	1

DYNAMONITOR DM-2 & DM-3: 10-15 KW

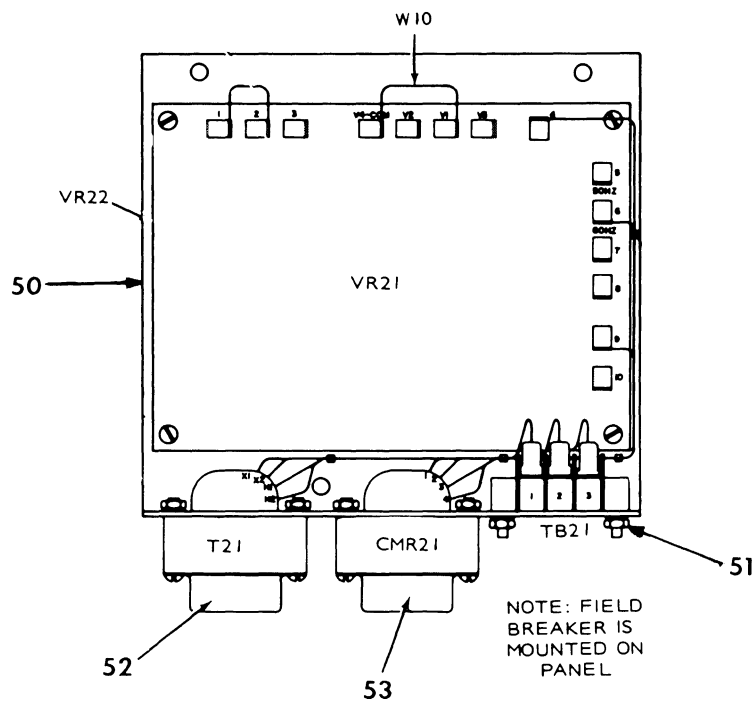
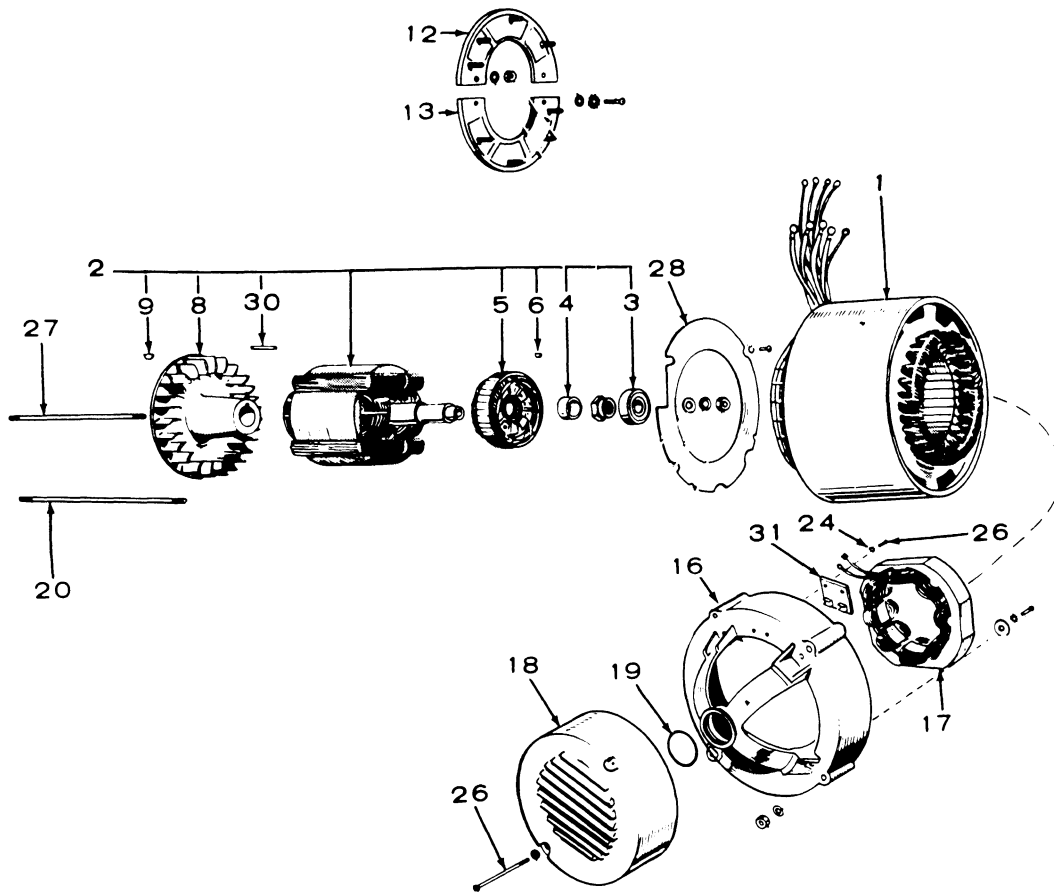


Drawing No. 13797A

DYNAMONITOR DM-2 & DM-3 - 10-15 KW

REF	PN	NAME	REMARKS	QUAN
1	11427	SWITCH	CONTROL	1
2	11606	RELAY	FICK UP	1
3	11603	CAPACITOR	NLA	1
4	13787	RESISTOR	VARIABLE	1
5- 1	11607	REACTOR	3 WIRE - 15 KW & ALL 2 WIRE-NLA	2
5- 2	11610	REACTOR	3 WIRE - 10/12.5 KW-NLA	2
6	11602	RELAY	MAINTAINING-NLA	1
7	11601	CONTACTOR-	NLA	1
8	11609	SWITCH	CONTACTOR-NLA	2
9	13786	RESISTOR	270 OHM	1

WESTERBEKE 10 - 15 KW GENERATOR - YD SERIES

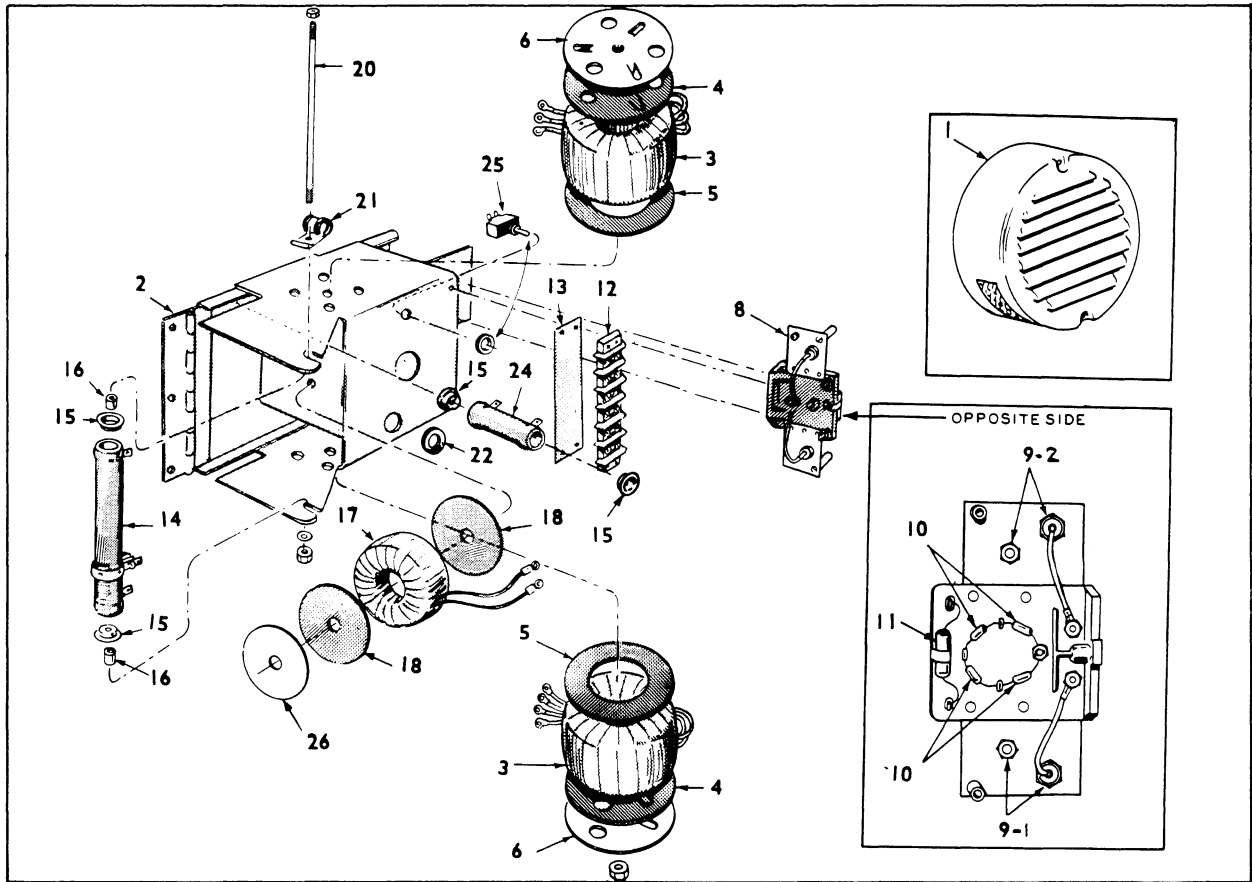


WESTERBEKE 10 - 15 KW GENERATOR - YD SERIES

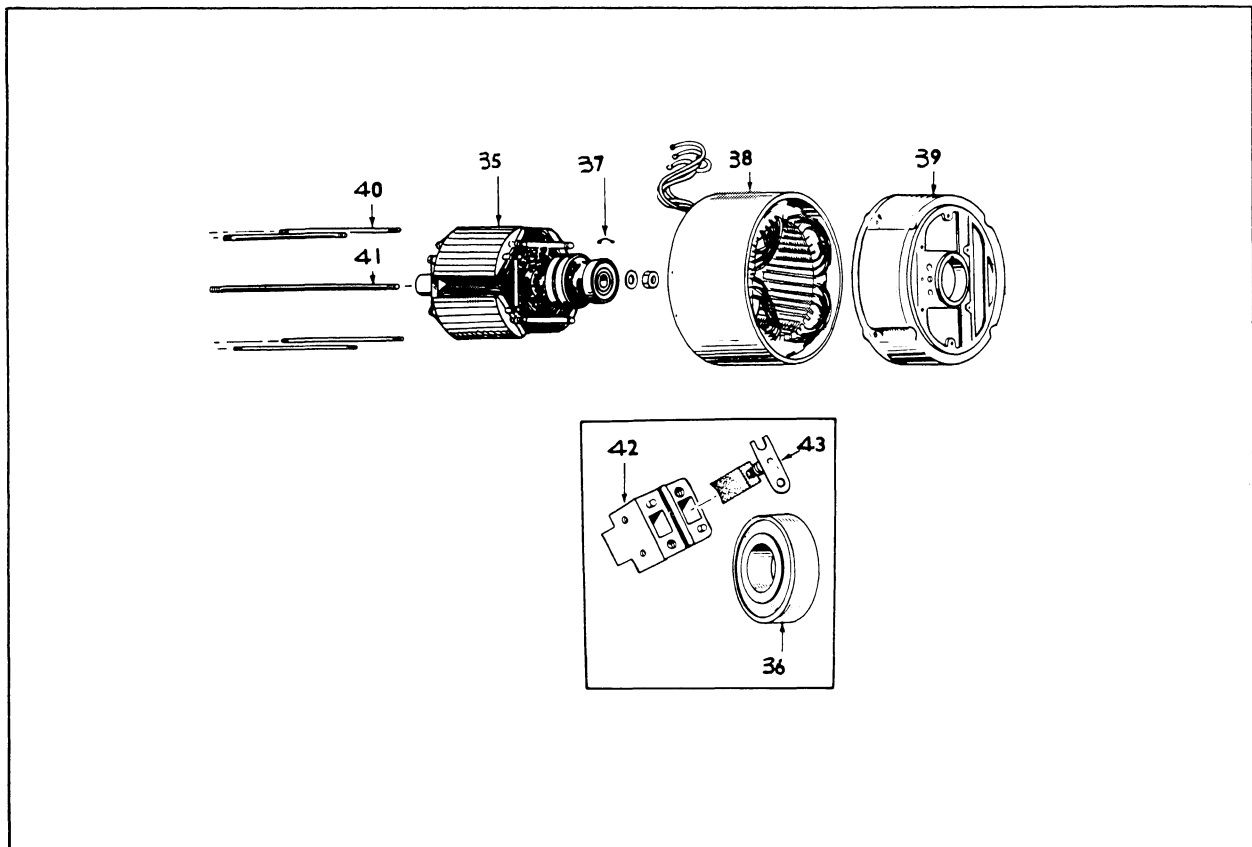
REF	PN	NAME	REMARKS	QUAN
1- 1	21785	STATOR	10 YD	1
1- 2	21786	STATOR	15 YD	1
2- 1	21782	ROTOR	ASSEMBLY - 10 YD	1
2- 2	21783	ROTOR	ASSEMBLY - 15 YD	1
3	21789	BEARING	ROTOR	1
4	21790	SPACER	BEARING	1
5	21791	ROTOR	EXCITER - WOUND	1
6	21792	KEY	EXCITER ROTOR	1
8	21793	FAN	GENERATOR	1
9	21804	KEY	DRIVE COUPLING	1
10- 1	20914	GENERATOR	COMPLETE-10YD	1
10- 2	20915	GENERATOR	COMPLETE-15YD	1
12	21795	RECTIFIER	ASSEMBLY - POSITIVE	1
13	21796	RECTIFIER	ASSEMBLY - NEGATIVE	1
16	21797	HOUSING	GENERATOR END	1
17	21798	STATOR	EXCITER - WOUND	1
18	14260	COVER	END BELL	1
19	21800	SEAL	BEARING	1
20	21801	STUD	GENERATOR THROUGH	1
26	21802	SCREW	END BELL COVER	2
27	21805	STUD	ROTOR THROUGH	1
28	21803	BAFFLE	AIR	1
30	21794	KEY	FAN	1
31	21806	BOARD	CONNECTION	1
40	21811	SCREW	END BELL COVER MOUNTING	2
50	21799	BOARD	ASSEMBLY - REGULATOR	1
51	21807	STRIP	TERMINAL	1
52	21809	TRANSFORMR	VOLTAGE REFERENCE	1
53	21810	REACTOR		1
54	21808	BREAKER	CIRCUIT - NOT SHOWN	1



WESTERBEKE 10-15 KW GENERATOR - EXCITER - JC SERIES



28

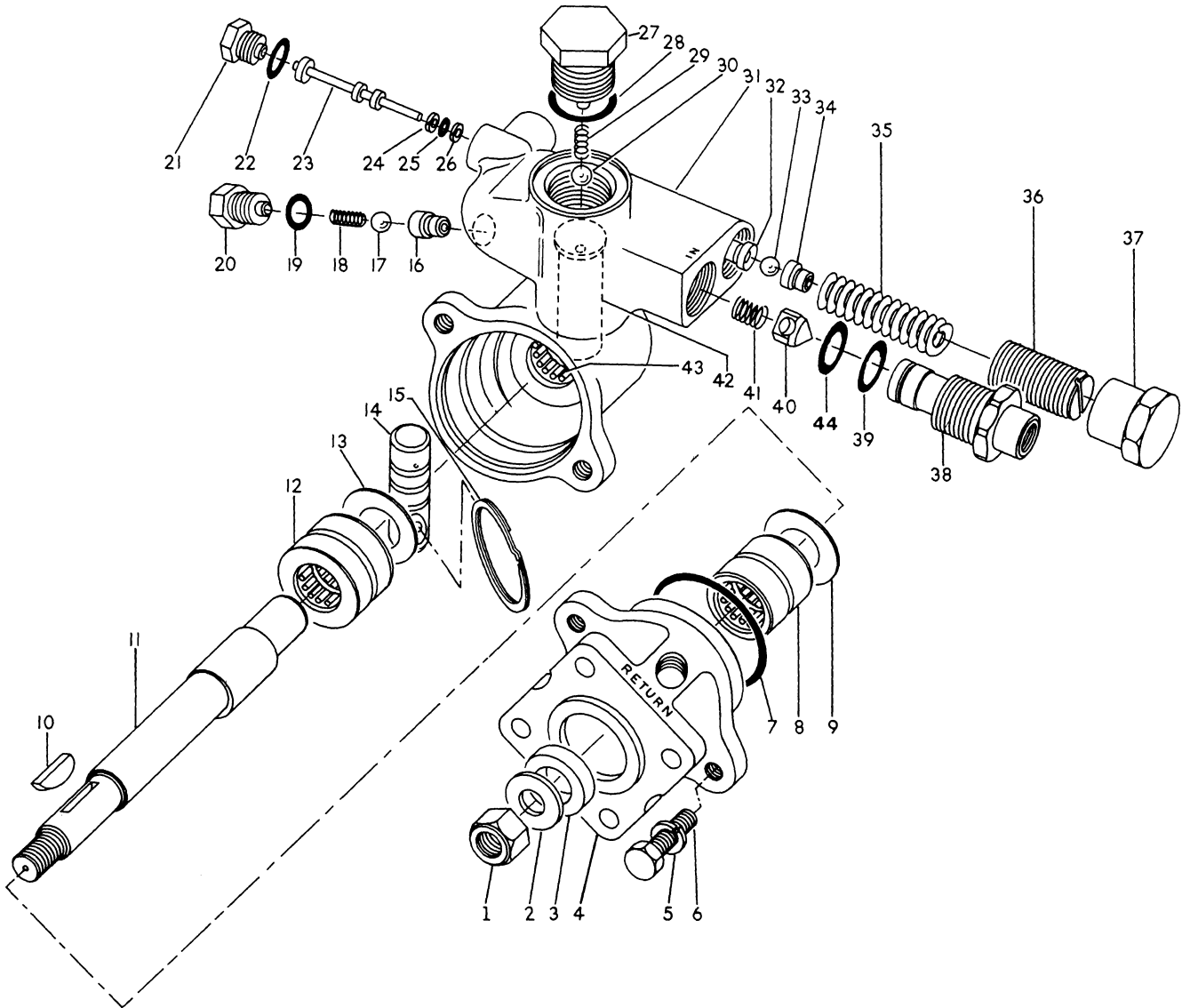


34

WESTERBEKE 10-15 KW GENERATOR - EXCITER - JC SERIES

REF	PN	NAME	REMARKS	QUAN
1	14260	COVER	EXCITER	1
2	14261	PANEL	EXCITER	1
3	14272	REACTOR	GATE	2
4	14259	GASKET	OUTER-GATE REACTOR	2
5	14257	GASKET	INNER-GATE REACTOR	2
6	14258	RETAINER		2
8	14269	RECTIFIER	ASSEMBLY	1
9- 1	14266	RECTIFIER	NEG STUD - RED LEAD	2
9- 2	14267	RECTIFIER	POS STUD - BLACK LEAD	2
10	14268	RECTIFIER	VOLTAGE CONTROL	4
11	14264	RESISTOR	150 OHM - 5 WATT	1
12	14274	BLOCK	TERMINAL	1
13	14275	MARKER		1
14	14265	RESISTOR	500 OHM - 50 WATT	1
15	14262	WASHER	RESISTOR MOUNTING	2
16	14255	SPACER	RESISTOR MOUNTING	2
17	14271	REACTOR	VOLTAGE CONTROL	1
18	14256	GASKET	VOLTAGE CONTROL REACTOR	2
20	14280	STUD	RESISTOR MOUNTING	1
21	14273	CLIP		1
22	14276	GROMMET		1
24	14263	RESISTOR	250 OHM - 25 WATT	1
25	14270	SWITCH		1
26	14281	WASHER		1
27	14282	NUT		2
28	14248	EXCITER	COMPLETE	1
34- 1	11520	GENERATOR	COMPLETE - INCLUDING EXCITER - 10 KW	1
34- 2	11521	GENERATOR	COMPLETE - INCLUDING EXCITER - 12.5 KW	1
34- 3	11522	GENERATOR	COMPLETE - INCLUDING EXCITER - 15 KW	1
35- 1	14247	ROTOR	10 KW	1
35- 2	14285	ROTOR	12.5 KW	1
35- 3	14284	ROTOR	15 KW	1
36	14277	BEARING		1
37	14254	CLIP	BEARING	4
38- 1	14252	STATOR	10 KW	1
38- 2	14286	STATOR	12.5 KW	1
38- 3	14287	STATOR	15 KW	1
39	14249	HOUSING		1
40- 1	14279	STUD	10 KW	4
40- 2	14290	STUD	12.5 KW	4
40- 3	14291	STUD	15 KW	4
41- 1	14278	STUD	10 KW	1
41- 2	14288	STUD	12.5 KW	1
41- 3	14289	STUD	15 KW	1
42	14250	HOLDER		4
43	14251	BRUSH		4

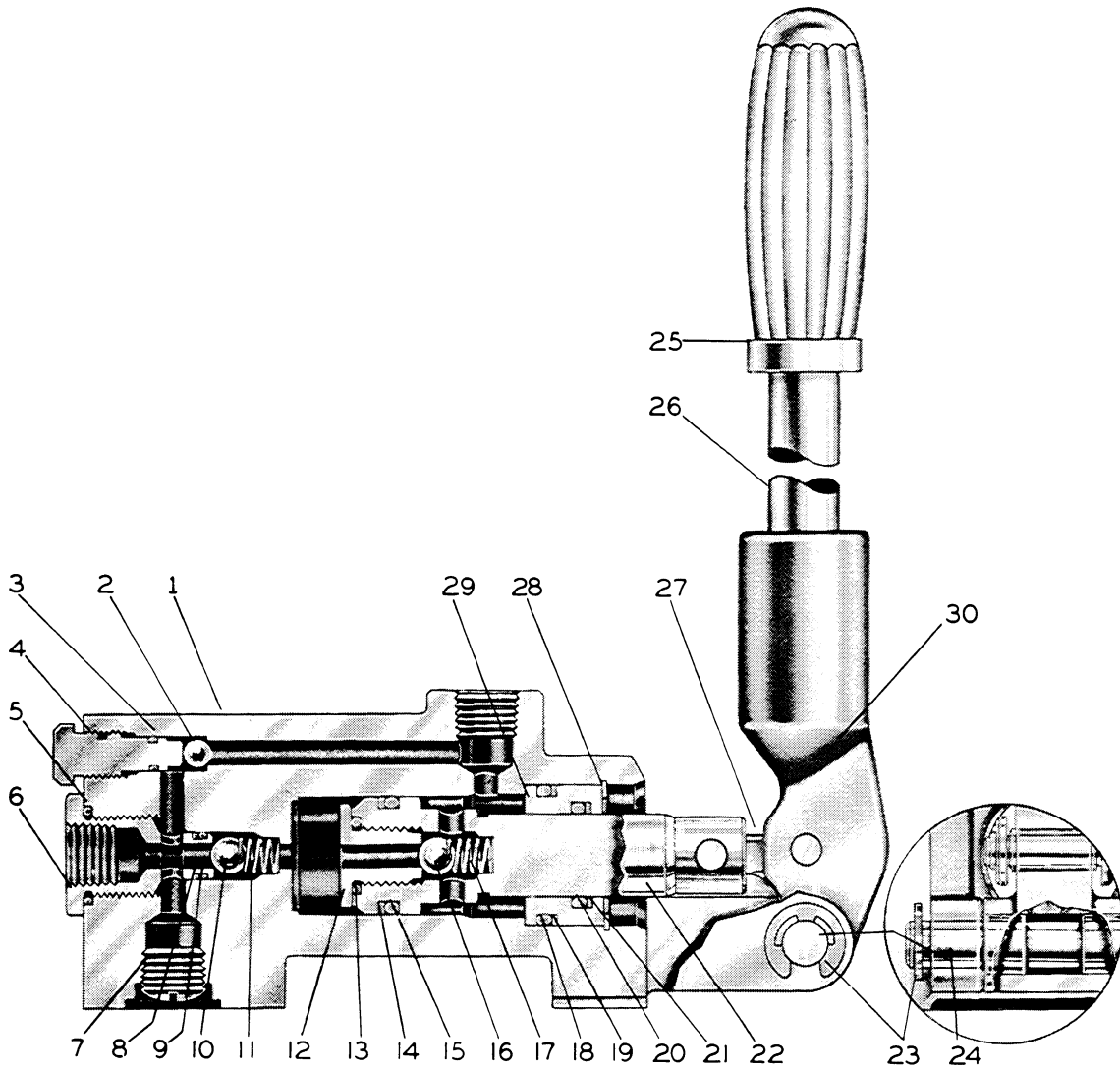
# LIFEBOAT ENGINE DRIVEN HYDRAULIC PUMP



## LIFEBOAT ENGINE DRIVEN HYDRAULIC PUMP

REF	PN	NAME	REMARKS	QUAN
1	15587	NUT	1/2NF CASTLE	1
2	15581	WASHER		1
3	15602	SEAL	OIL	1
4	15660	FLANGE	MOUNTING INCL REF 3 & 8	1
5	15584	LOCKWASHER		2
6	15598	SCREW		2
7	15595	GASKET		1
8	15590	BEARING	ROLLER	1
9	15599	WASHER		1
10	15583	KEY	WOODRUFF	1
11	15656	SHAFT	DRIVE	1
12	15625	BEARING	NEEDLE	1
13	15599	WASHER		1
14	15661	PISTON		1
15	15591	RING	RETAINING	2
16	15659	SEAT	VALVE	1
17	15618	BALL	STEEL	1
18	15662	SPRING	VALVE	1
19	15592	GASKET		1
20	15669	PLUG		1
21	15669	PLUG		1
22	15592	GASKET		1
23	15668	FLUNGER	VALVE	1
24	15613	RING		1
25	15596	GASKET		1
26	15613	RING		1
27	15663	PLUG		1
28	15593	GASKET		1
29	15673	SPRING	VALVE	1
30	15618	BALL	STEEL	1
31- 1	15657	HOUSING		1
31- 2	11696	PUMP	COMPLETE	1
31- 3	33389	KIT	REPAIR	1
32	15659	SEAT	VALVE	1
33	15618	BALL	STEEL	1
34	15667	SEAT	VALVE	1
35	15666	SPRING	UNLOADING VALVE	1
36	15665	SCREW	SPRING ADJUSTING	1
37	15664	CAP	UNLOADING VALVE	1
38	15672	CONNECTOR		1
39	15594	GASKET		1
40	15671	VALVE	INLET	1
41	15670	SPRING	INLET VALVE	1
42	15658	SLEEVE		1
43	15624	BEARING	NEEDLE	1
44	33391	RING		1

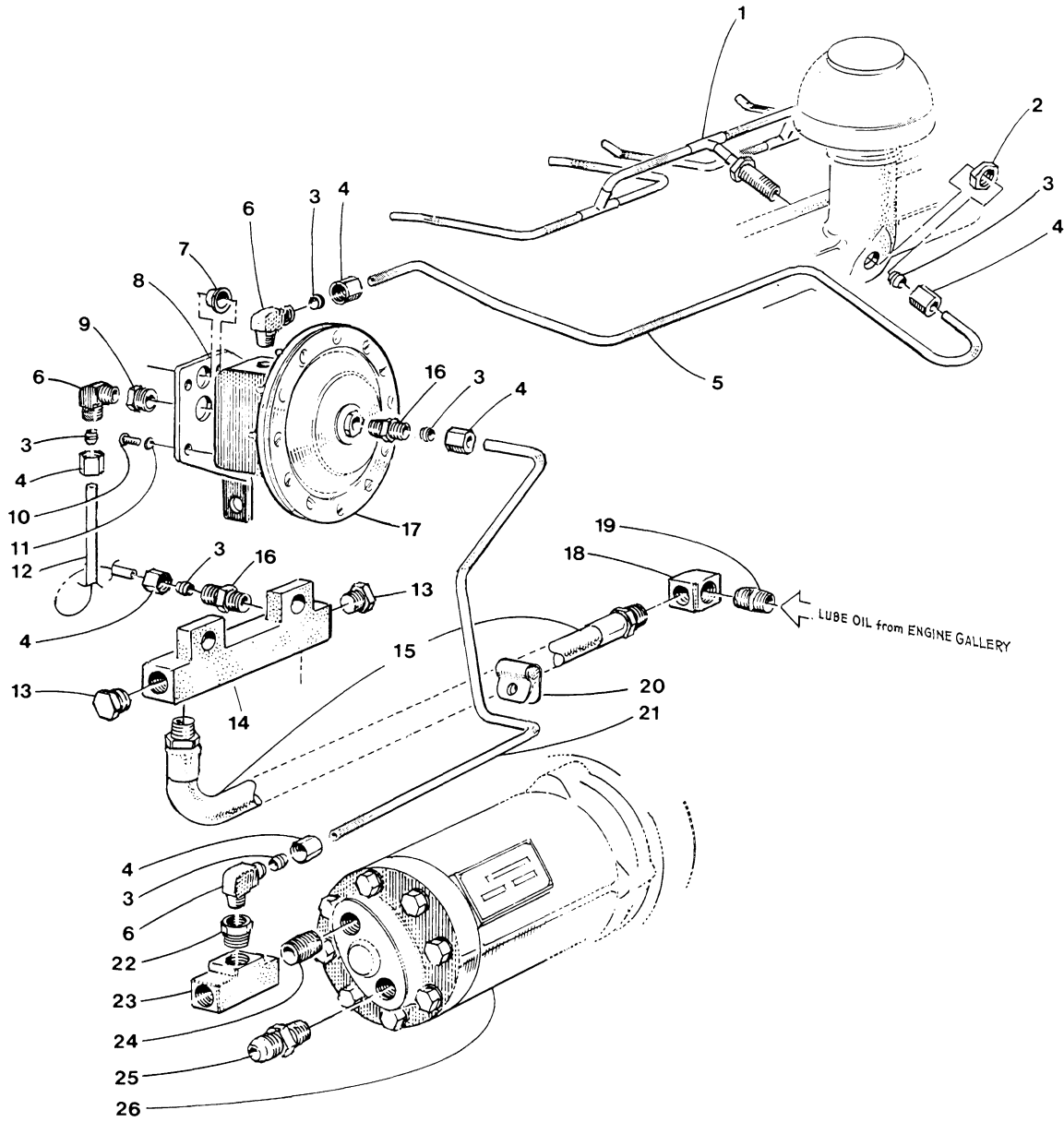
LIFEBOAT HAND OPERATED HYDRAULIC PUMP



LIFEBOAT HAND OPERATED HYDRAULIC PUMP

REF	PA	NAME	REMARKS	QUAN
1- 1	15637	HOUSING	PUMP	1
1- 2	11621	PUMP	COMPLETE	1
1- 3	15674	KIT	REPAIR	1
2	15618	BALL	BLEED VALVE	1
3	15612	GASKET	BLEED SCREW	1
4	15644	SCREW	BLEED	1
5	15621	GASKET		1
6	15638	BUSHING		1
7	15589	PLUG		1
8	15622	RING		1
9	15623	GASKET		1
10	15619	BALL VALVE	INLET CHECK	1
11	15642	SPRING	INLET CHECK VALVE	1
12	15641	SEAT	OUTLET CHECK VALVE	1
13	15609	GASKET		1
14	15617	RING		1
15	15610	GASKET		1
16	15619	BALL VALVE	OUTLET	1
17	15642	SPRING	OUTLET CHECK VALVE	1
18	15611	GASKET		1
19	15615	RING		1
20	15606	GASKET		1
21	15616	RING		1
22	15639	PLUNGER		1
23	15629	RING	RETAINING	2
24	15645	PIN	CLEVIS	1
25	15620	GRIP	HANDLE-RUBBER	1
26	11716	HANDLE	ASSEMBLY WITH GRIP	1
27	15628	LINK		1
28	15607	RING	RETAINING	1
29	15640	GLAND	PLUNGER	1
30	15646	LEVER	PUMP OPERATING	1

# WESTERBEKE 40 - LUB-CEL

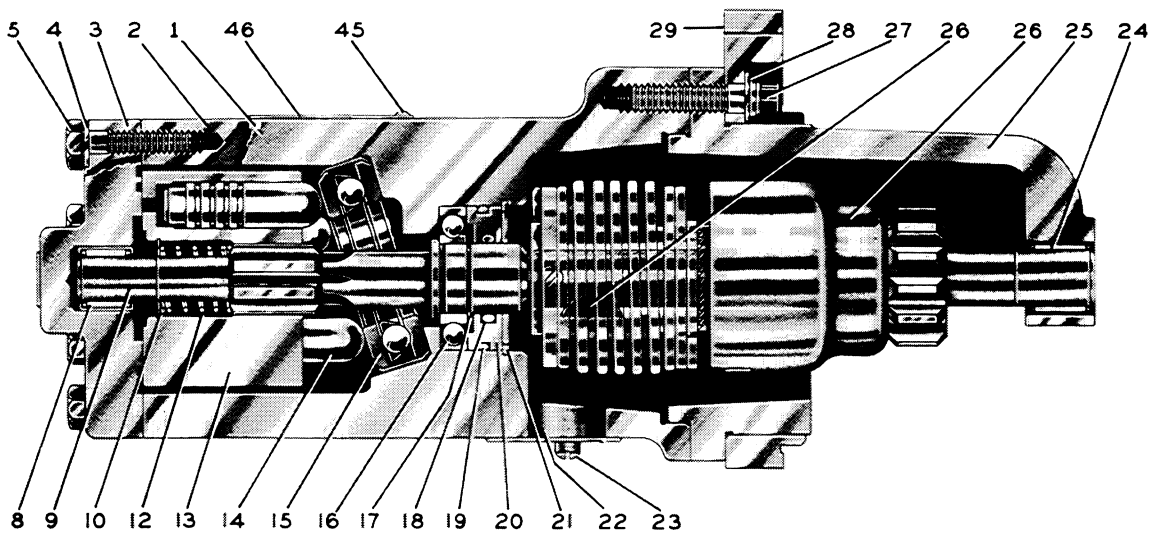


WESTERBEKE 40 - LUB-CEL

REF	PN	NAME	REMARKS	QUAN
1	19453	HEADER	ASSEMBLY	1
2		NUT		1
3	11597	FERRULE	COMPRESSION 1/4	6
4	16676	NUT	COMPRESSION 1/4	6
5	19455	LINE	LUBCEL TO MANIFOLD	1
6	13329	ELBOW	INCL NUT AND FERRULE	3
7		PLUG	PLASTIC	1
8	19443	BRACKET	LUBCEL	1
9	13339	ADAPTER		1
10	31872	SCREW	10-32 X 1/2	4
11	31849	LOCKWASHER	10	4
12	19454	LINE	OIL MANIFOLD TO LUBCEL	1
13	11615	PLUG	1/8NPT	4
14	11969	MANIFOLD	OIL	1
15	11981	HOSE	OIL-BLOCK TO MANIFOLD	1
16	19449	CONNECTOR	MALE INCL NUT AND FERRULE	2
17	19372	LUBCEL		1
18	13328	ELBOW	1/8NPT BRASS	1
19	11492	NIPPLE	1/8NPT	1
20	12282	CLAMP	SUPPORT LINE	1
21- 1	19456	LINE	STARTER 11620 TO LUBCEL	1
21- 2	24261	LINE	STARTER 19301 TO LUBCEL	1
22	13717	BUSHING	REDUCER	1
23	13715	TEE	3/8NPT BRASS	1
24	11650	NIPPLE	3/8NPT	1
25	23126	ADAPTER	PRESSURE REDUCING	1
26- 1	11620	MOTOR	STARTER-HYDR-MOUNTS AHEAD OF FLYWHEEL	1
26- 2	19301	MOTOR	STARTER-HYDRAULIC-MOUNTS AFT OF FLYWHEEL	1



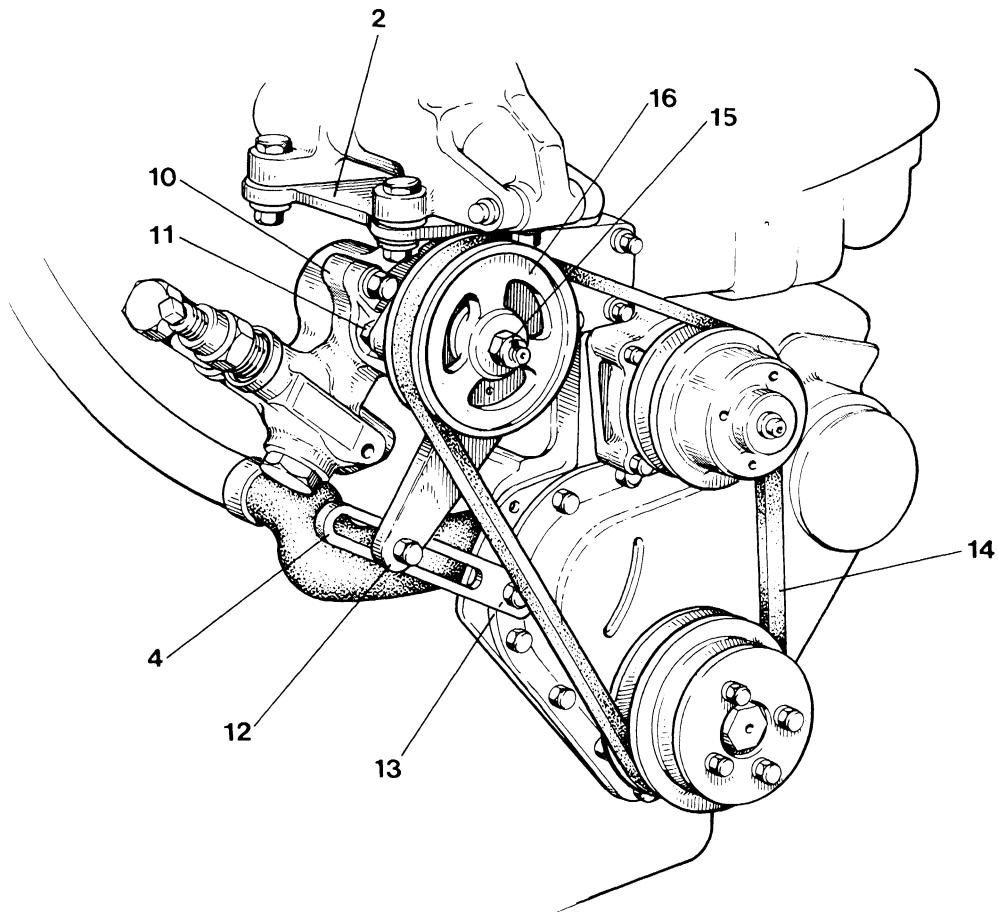
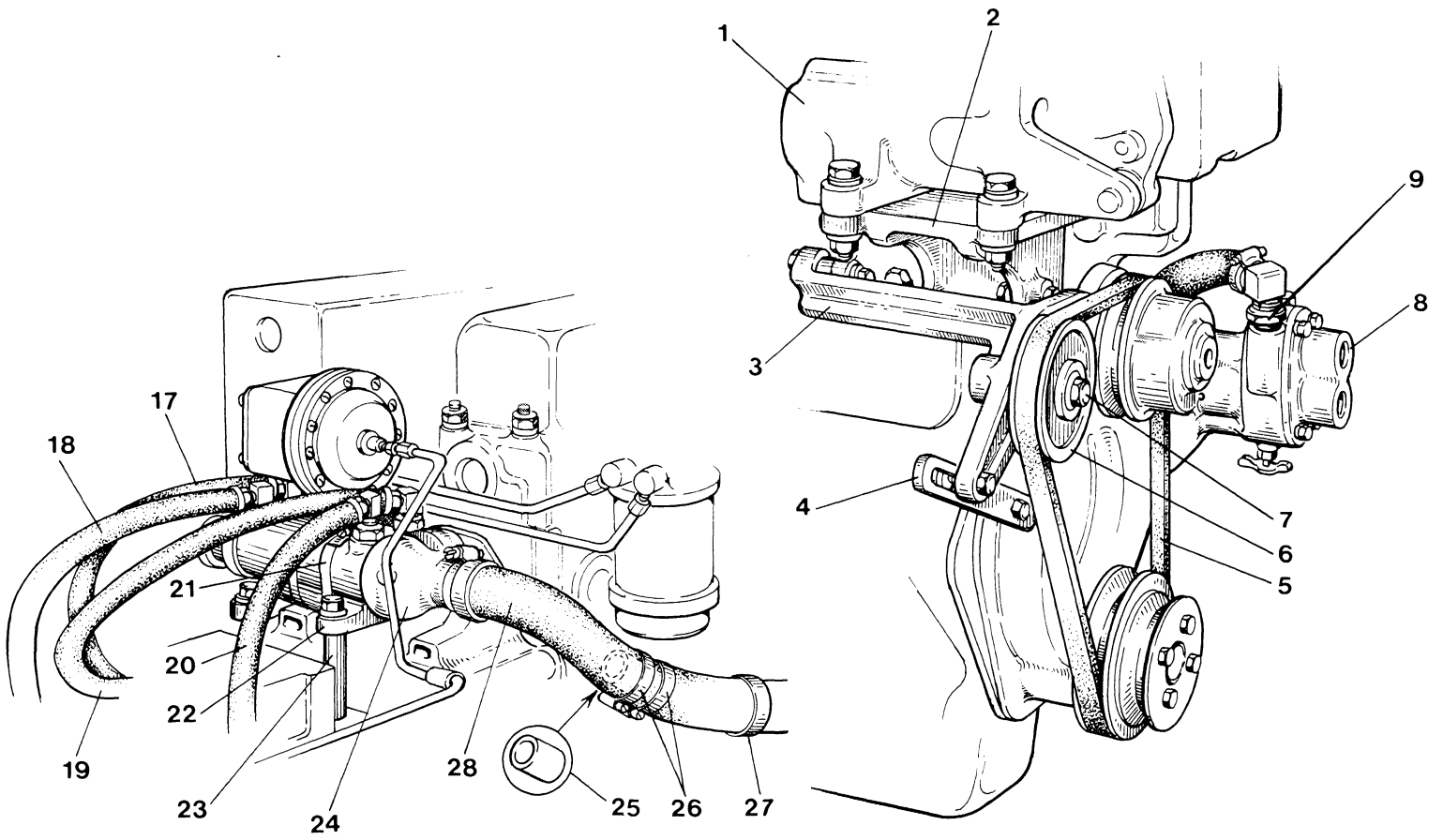
WESTERBEKE 4DLB - HYDRAULIC CRANKING MOTOR



WESTERBEKE 4DLB - HYDRAULIC CRANKING MOTOR

REF	PN	NAME	REMARKS	QUAN
1- 1	11620	MOTOR	COMPLETE-TO AUG 1973	1
1- 2	19301	MOTOR	COMPLETE-COMMON BACK END	1
2	15647	HOUSING		1
3	15648	PLATE		1
4	15585	WASHER		8
5	15597	SCREW		8
8	15631	BEARING	NEEDLE	1
9	15649	SHAFT	MOTOR	1
10	15630	RING	SPRING RETAINING	1
12	15651	SPRING	BARREL	1
13	15652	BARREL		1
14	15650	FISTON		7
15	15653	PEARING	THRUST	1
16	15603	BEARING	BALL-SHAFT	1
17	15600	RING	RETAINING	1
18	15604	SEAL	SHAFT-INNER	1
19	15608	SEAL	SHAFT-OUTER	1
20	15633	HOLDER	SEAL	1
21	15601	RING	RETAINING	1
22	15632	PLATE	HOUSING INSPECTION	1
23	15627	SCREW		2
24	15605	BEARING	NEEDLE	1
25	15655	HOUSING	PINION GEAR	1
26- 1	15636	DRIVE	MOTOR 11620	1
26- 2	31287	DRIVE	MOTOR 19301	1
26- 3	15582	KEY	WOODRUFF	1
27	15626	SCREW		4
28	15586	WASHER		4
29- 1		FLANGE	MOTOR 11620 INCL IN REF 25	
29- 2	15634	FLANGE	MOTOR 19301	2
45	15588	SCREW		2
46	15635	NAMEPLATE		1
47	33390	SEAL	SHAFT	1

WESTERBEKE 40 - LIFEBOAT MISCELLANEOUS



WESTERBEKE 40 - LIFESPHERE MISCELLANEOUS

REF	PN	NAME	REMARKS	QUAN
1	11266	DIAGPAM	ELECTRICAL SYSTEM - LIFESHPERE	1
2	11543	SENDER	WATER TEMPERATURE	1
3	12060	BRACKET	ALTERNATOR MOUNTING	1
4	19270	ALTERNATOR	55 AMP - 12 VDC - NEG GND	1
5	11549	CABLE	ALTERNATOR TO REGULATOR	1
6	11267	BRACKET	REGULATOR MOUNTING	1
7	33064	STRAP	ALTERNATOR ADJUSTING	1
8	11287	HARNESS	ENGINE	1
9	11550	REGULATOR	ALTERNATOR	1
10	13144	MOUNT	FRONT RIGHT - 18 CENTERS	1
11- 1	11822	CABLE	TACHOMETER 4 FOOT	1
11- 2	11824	CABLE	TACHOMETER 6 FOOT	1
11- 3	11826	CABLE	TACHOMETER 8 FOOT	1
11- 4	11828	CABLE	TACHOMETER 10 FOOT	1
12- 1	11693	PANEL	INSTRUMENT	1
12- 2	12883	TACHOMETER	REPLACEMENT	1
12- 3	11970	AMMETER	REPLACEMENT	1
12- 4	13868	GAUGE	REPLACEMENT - OIL PRESSURE	1
12- 5	13682	GAUGE	REPLACEMENT - WATER TEMPERATURE	1
12- 6	11692	KIT	PANEL LIGHTING	1
12- 7	11432	LAMP		4
12- 8	11692	SOCKET		4
13	11286	HARNESS	INSTRUMENT PANEL	1
14	13243	REAR RIGHT	- 18 CENTERS	1
15	12618	COVER	BENDIX HOLE IN BELL HOUSING	1
16	11592	PUMP	SUMP - LUBE OIL	1
17	16449	GASKET SET	COMPLETE FOR LIFESPHERE SPEC	1
20	11542	SENDER	OIL PRESSURE	1
21	33348	SWITCH	OIL PRESSURE	1
22	13243	MOUNT	REAR LEFT - 18 CENTERS	1
23	13145	MOUNT	FRONT LEFT - 18 CENTERS	1
24	11658	PUMP	SEA WATER - BRONZE GEAR	1
25	11659	BUSHING	SEA WATER PUMP OUTLET	1
26	13859	BELT	WATER PUMP/ALTERNATOR DRIVING	1
27	11548	PULLEY	ALTERNATOR	1
28	11547	PLATE	ALTERNATOR FAN	1
29	12009	HOUSING	THERMOSTAT	1
30	13240	BRACKET	MOUNTING - ENGINE DRIVEN HYD PUMP	1
31	16344	WASHER	13240 BRACKET SECURING	2
32	12421	NUT	13240 BRACKET SUPPORTING	2
33	11201	PULLEY	DRIVING - ENGINE DRIVEN HYD PUMP	1
34	11709	PULLEY	DRIVEN - ENGINE DRIVEN HYD PUMP	1
35	11361	BELT	DRIVING - ENGINE DRIVEN HYD PUMP	1

WESTERBEKE 40 - MISCELLANEOUS

REF	PN	NAME	REMARKS	QUAN
1- 1	12718	KIT A	SPARE PARTS-PROPULSION	1
1- 2	23886	KIT A	SPARE PARTS-GENERATOR	1
2- 1	12719	KIT B	SPARE PARTS-EXTENDED CRUISING-PROPULSION	1
2- 2	23887	KIT B	SPARE PARTS-EXTENDED CRUISING-GENERATOR	1
3- 1	11762	GASKET SET	UPPER S/N 107U	1
3- 2	19934	GASKET SET	UPPER S/N 108U & ED	1
4- 1	11763	GASKET SET	LOWER S/N 107U	1
4- 2	20719	GASKET SET	LOWER S/N 108U & ED	1
5- 1	11892	GASKET SET	COMPLETE S/N 107U	1
5- 2	20720	GASKET SET	COMPLETE S/N 108U & ED	1
5- 3	16449	GASKET SET	LIFESPHERE S/N 107U	1
6	11592	PUMP	HAND-TO PUMP LUBE OIL FROM SUMP	1
7	32974	FILTER	SEDIMENTER-WATER TRAP	1
8	15010	STRAINER	SEA WATER	1
9	13758	PAINT	RED-AEROSOL SPRAY CAN	1
10	20654	SPLITTER	ALTERNATOR OUTPUT	1
11	30760	HARNES	15 FOOT PANEL EXTENSION	1
12- 1	32009	SWITCH	GENERATOR SHIP-SHORE 3 WIRE	1
12- 2	32010	SWITCH	GENERATOR SHIP-SHORE 2 WIRE	1
13	11988	KIT	FUEL HARDWARE	1
14	20502	MANUAL	TECHNICAL	1
15	12169	LINE	FLEXIBLE EXHAUST-STAINLESS 1.5 X 12 LG	1
16- 1	33772	MUFFLER	HYDRO-HUSH B	1
16- 2	34936	MUFFLER	HYDRO-HUSH C BOTTOM MOUNT	1
16- 3	35002	MUFFLER	HYDRO-HUSH C SIDE MOUNT	1
16- 4	33340	CONNECTOR	MUFFLER STRAIGHT	1
16- 5	33341	CONNECTOR	MUFFLER 45 DEGREE	1
16- 6	33342	CONNECTOR	MUFFLER 90 DEGREE	1
16- 7	33943	KIT	COUPLING-HOSE & CLAMPS	1
16- 8	32550	MUFFLER	HYDRO-HUSH-FIBERGLASS	1
16- 9	13174	MUFFLER	HYDRO-HUSH-STAINLESS	1
17	33327	VALVE	ANTI-SIPHON	1

WESTERBEKE 40 - LIFEBOAT MISCELLANEOUS

REF	PN	NAME	REMARKS	QUAN
1	11621	PUMP	HAND HYDRAULIC	1
2	13022	BRACKET	HYDRAULIC HAND PUMP MOUNTING	1
3	13059	BRACKET	IDLER PULLEY MOUNTING	1
4	33064	STRAP	ADJUSTING	1
5	11695	BELT	WATER PUMP DRIVING	1
6	11694	PULLEY	IDLER	1
7	11088	SCREW	IDLER PULLEY TO BRACKET	1
8	11658	PUMP	SEA WATER - BRONZE GEAR	1
9	11659	BUSHING	SEA WATER PUMP OUTLET	1
10	11696	PUMP	ENGINE DRIVEN HYDRAULIC	1
11- 1	11263	STUD	PUMP TO BRACKET	4
11- 2	31758	LOCKWASHER	5/16	4
11- 3	31760	NUT	5/16NF	4
12	13075	BRACKET	ENGINE DRIVEN HYDRAULIC PUMP	1
13	24735	SPACER	ADJUSTING STRAP	1
14	11686	BELT	ENGINE DRIVEN HYDRAULIC PUMP	1
15	15587	NUT	1/2NF CASTLE	1
16	11709	PULLEY	ENGINE DRIVEN HYDRAULIC PUMP	1
		NOTE	REF 17-28 ARE FOR KEEL COOLED UNITS	
17	22116	HOSE	OIL-COOLER TO FILTER-SHORT	1
18	22114	HOSE	OIL COOLER TO GEAR-SHORT	1
19	22117	HOSE	OIL-COOLER TO FILTER-LONG	1
20	22115	HOSE	OIL COOLER TO GEAR-LONG	1
21	11411	CLAMP	MOUNT COOLER TO BRACKET	2
22	11017	BRACKET	OIL COOLER	1
23	13621	SPACER		2
24	20930	COOLER	DUAL OIL	1
25	11504	TUBING	CONNECT HOSES-INCHES REQUIRED	5
26	21878	CLAMP	HOSE 20	4
27	12292	CLAMP	SUPPORT HOSE	1
28	13671	HOSE	COOLER TO CONNECTOR	1
29- 1	12732	KIT	SPARE PARTS 40LB	1
29- 2	21630	KIT	SPARE PARTS 40WC	1

WESTERBEKE 40 - LIFESPHERE MISCELLANEOUS

